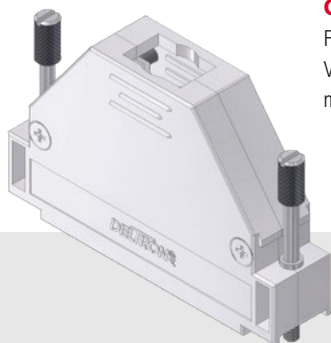


# D-Sub Hoods

for example



**Hood with Straight Cable Exit**

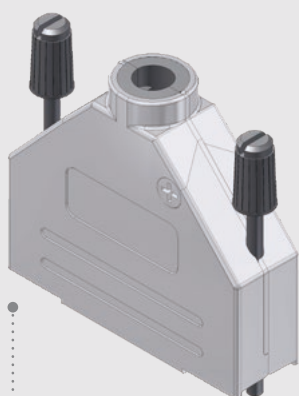
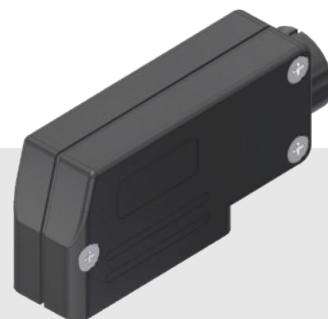
For D-Sub 09/15/25/37/50 Pin.  
Various versions in plastic or metallized.

**Hood with Straight and Side Cable Exit**

For D-Sub 09/15/25/37 Pin.  
Various versions in plastic or metallized.

**Hood with 90° Angled Cable Exit**

For D-Sub 09/15/25/37 Pin.  
Plastic.



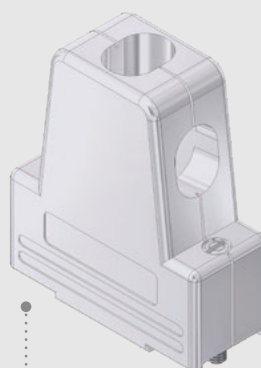
**Hood with Straight or Side Exit**

For D-Sub 09/15/25/37/50 Pin.  
Metal, EMI/RFI shielding.



**Hood with 90° Angled Cable Exit**

For D-Sub 09/15/25/37 Pin.  
Metal, EMI/RFI shielding.



**Hood with Straight and 2 Side Cable Exit**

For D-Sub 09/15/25/37 Pin.  
Plastic or metallized.

**Hood IP 67**

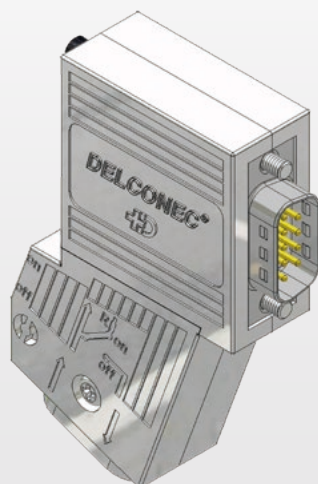
For D-Sub 09/15/25 Pin.  
Plastic, waterproof.



## Bus Connectors

**Bus Connectors**

Profibus, CAN-Bus.



## Accessories

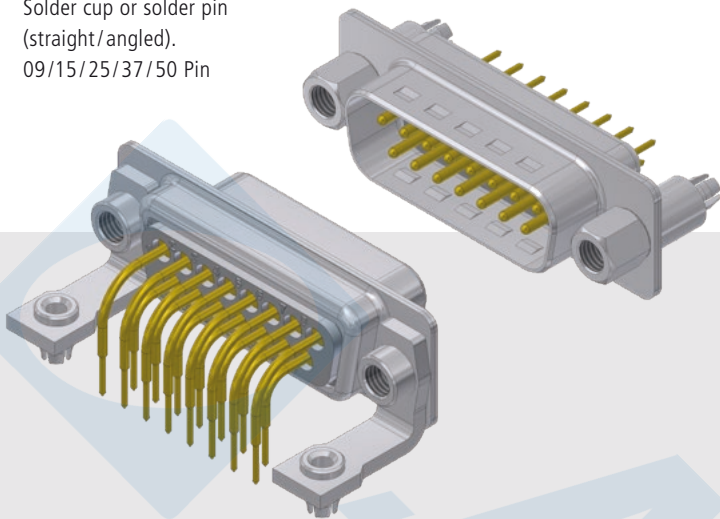
For D-Sub connectors



# D-Sub Connectors

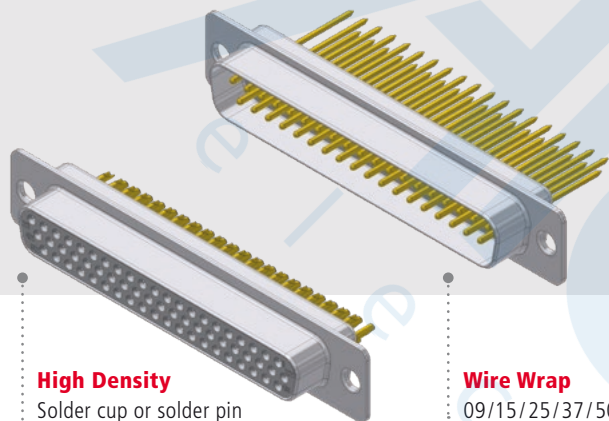
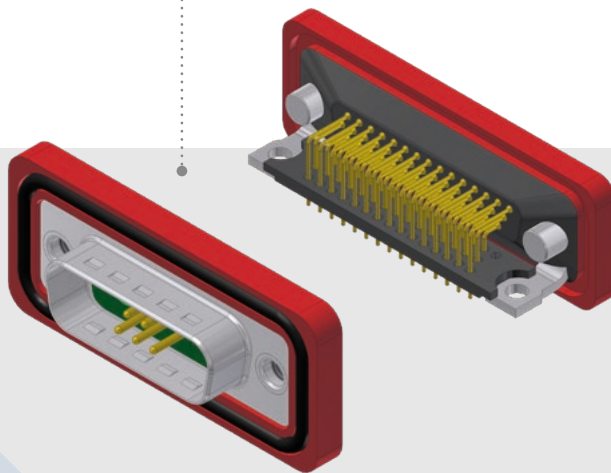
## Standard

Solder cup or solder pin  
(straight/angled).  
09/15/25/37/50 Pin



## Waterproof IP 67

Standard, high density, combi  
and filter versions.

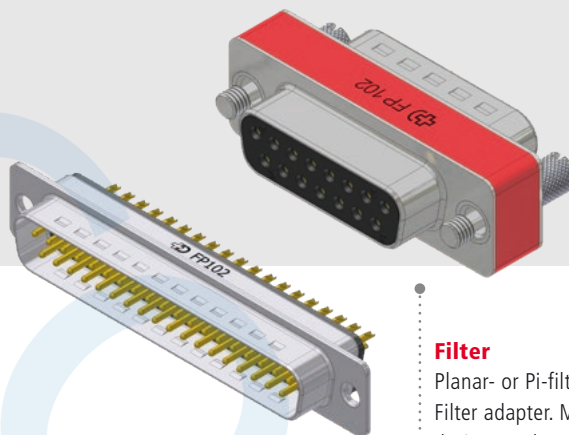


## High Density

Solder cup or solder pin  
(straight/angled).  
15/26/44/62 Pin

## Wire Wrap

09/15/25/37/50 Pin

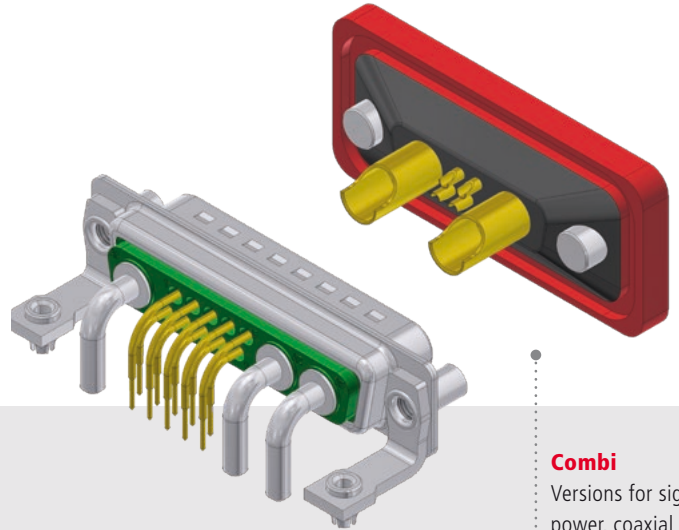
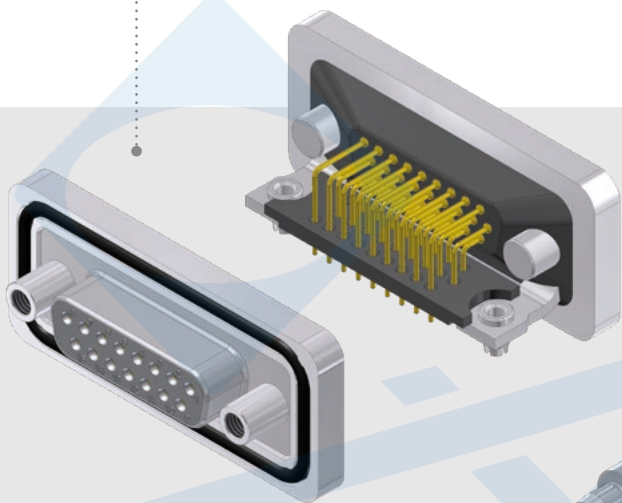


## Filter

Planar- or Pi-filter.  
Filter adapter. Many  
designs and mounting  
types.

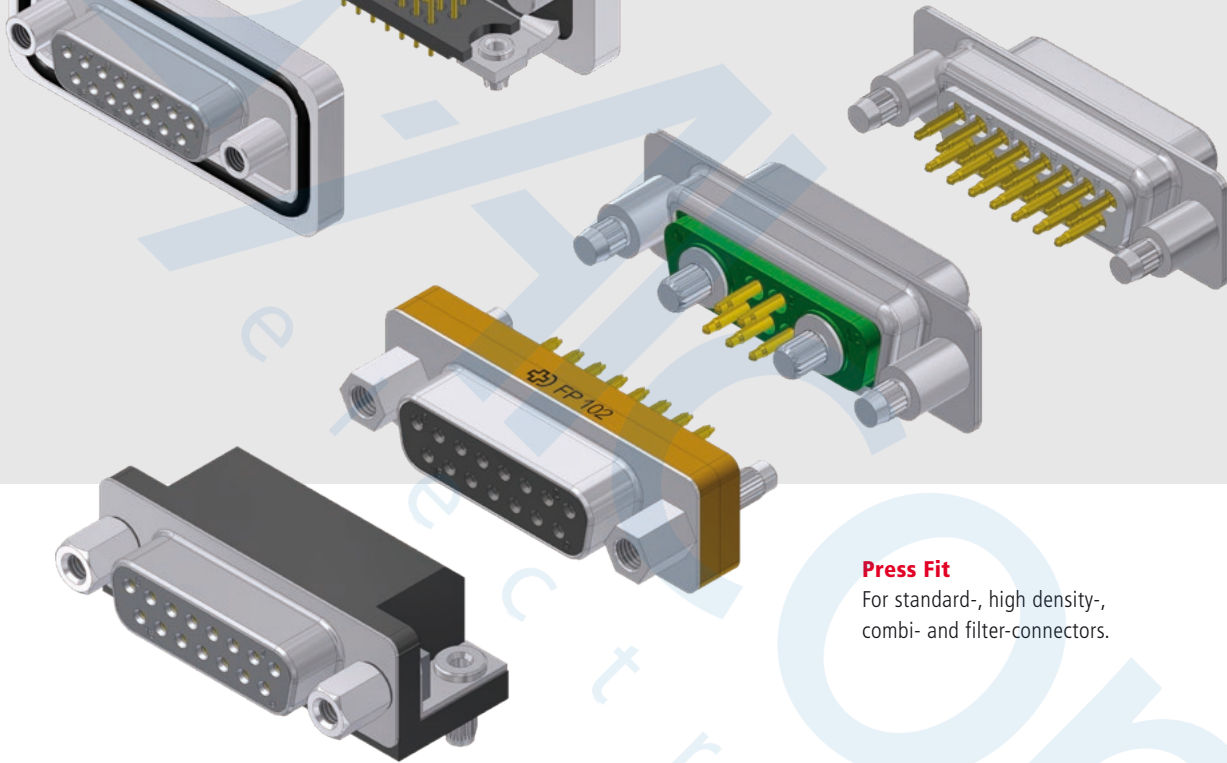
**Waterproof IP 68**

For front or back mounting.  
Versions: Standard, high density,  
combi and filter.



**Combi**

Versions for signal,  
power, coaxial  
and pneumatic  
contacts.



**Press Fit**

For standard-, high density-,  
combi- and filter-connectors.