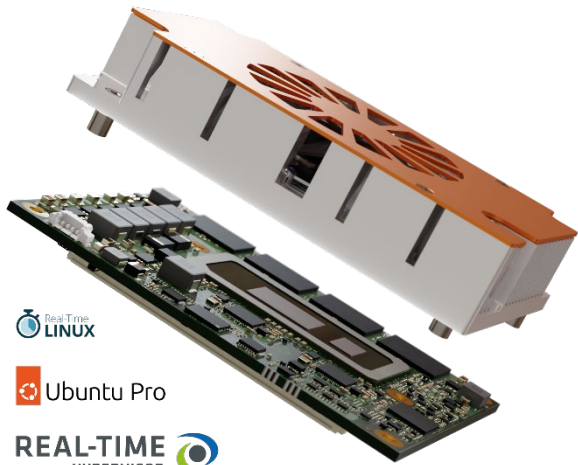


# Ultra Compact aReady.COM Standard Module

# conga-aCOM/mRLP

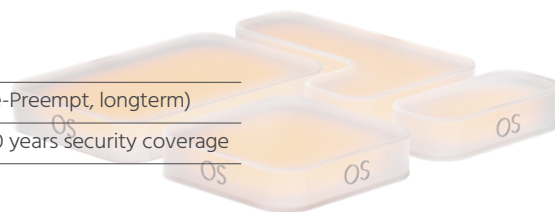


## aReady.COM

- Based on conga-HPC/mRLP-i5-1345URE
- High-Performance configuration with 2 pre-configured virtual machines
- Real-Time Linux OS on 1 P-Core
- Ubuntu Pro running on 1 P-Core and 8 E-Cores
- Incl. active cooling solution with heatpipes

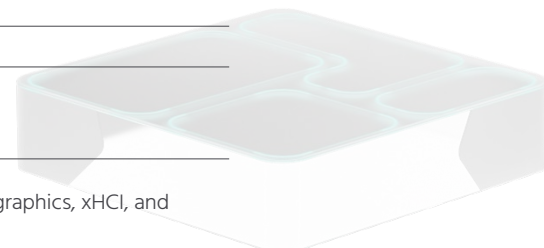
## Operating Systems

<b>Real-Time Linux</b>	RTS Real-Time Linux reference installation with Kernel 6.1 (Realtime-Preempt, longterm)
<b>Ubuntu Desktop</b>	Ubuntu 22.04 LTS, Canonical "Ubuntu Pro" subscription including 10 years security coverage



## Virtualization

<b>Hypervisor</b>	RTS Real-Time Hypervisor, pre-configured
<b>Partitioning</b>	2x virtual machines (VM), 1x Real-Time, 1x General Purpose
<b>Real-Time VM</b>	Running on 1 P-Core with fixed frequency Physical device access: NVMe SSD partition, 1x UART, 1x ethernet. Access to PCIe devices configurable
<b>General-Purpose VM</b>	Running on 1 P-Core and 8 E-Cores Physical device access: NVMe SSD partition, 1x UART, 1x ethernet, graphics, xHCI, and other PCIe devices

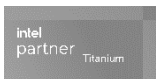


## Hardware

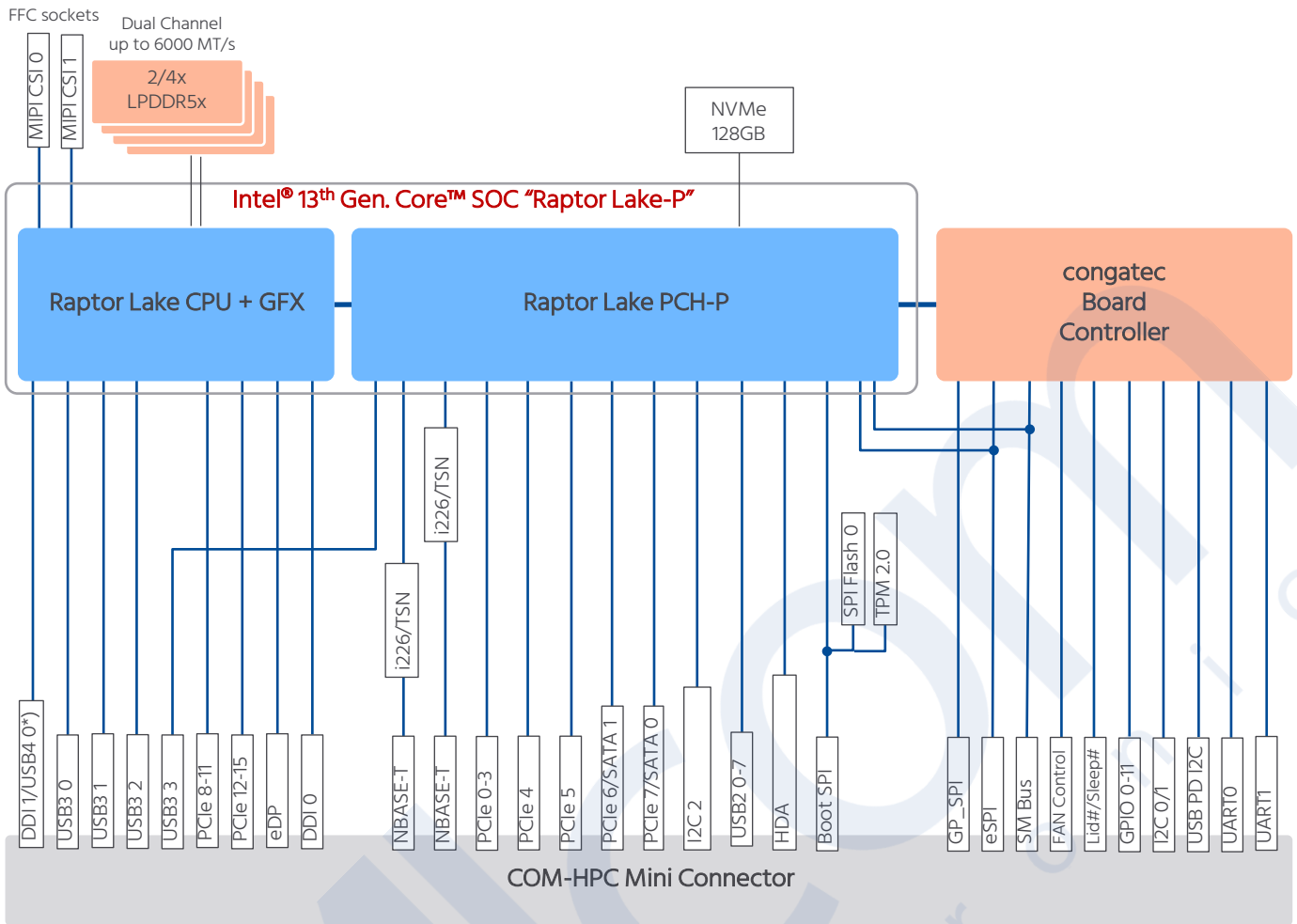
<b>Form factor</b>	COM-HPC Mini 95 mm x 70 mm	
<b>Processor</b>	Intel® Core™ i5-1345URE Processor with 2 P-Cores	
<b>Graphics</b>	Intel® Iris® Xe Graphics architecture   Supports up to 4 independent displays	
<b>Memory</b>	16GB onboard LPDDR5x memory	
<b>Mass Storage</b>	128 GB NVMe SSD connected via PCIe (soldered)	
<b>Temperature   Humidity</b>	-40 °C to 85 °C   10% to 90% r. H. non cond.	
<b>Interfaces</b>	2x 4 PCIe Gen4   up to 8x PCIe Gen3 Up to 1x USB 4.0 (option)   up to 4x USB 3.2   up to 8x USB 2.0   Up to 2x SATA III   2x UART   2x MIPI-CSI	* For all interfaces please see Datasheet conga-HPC/mRLP



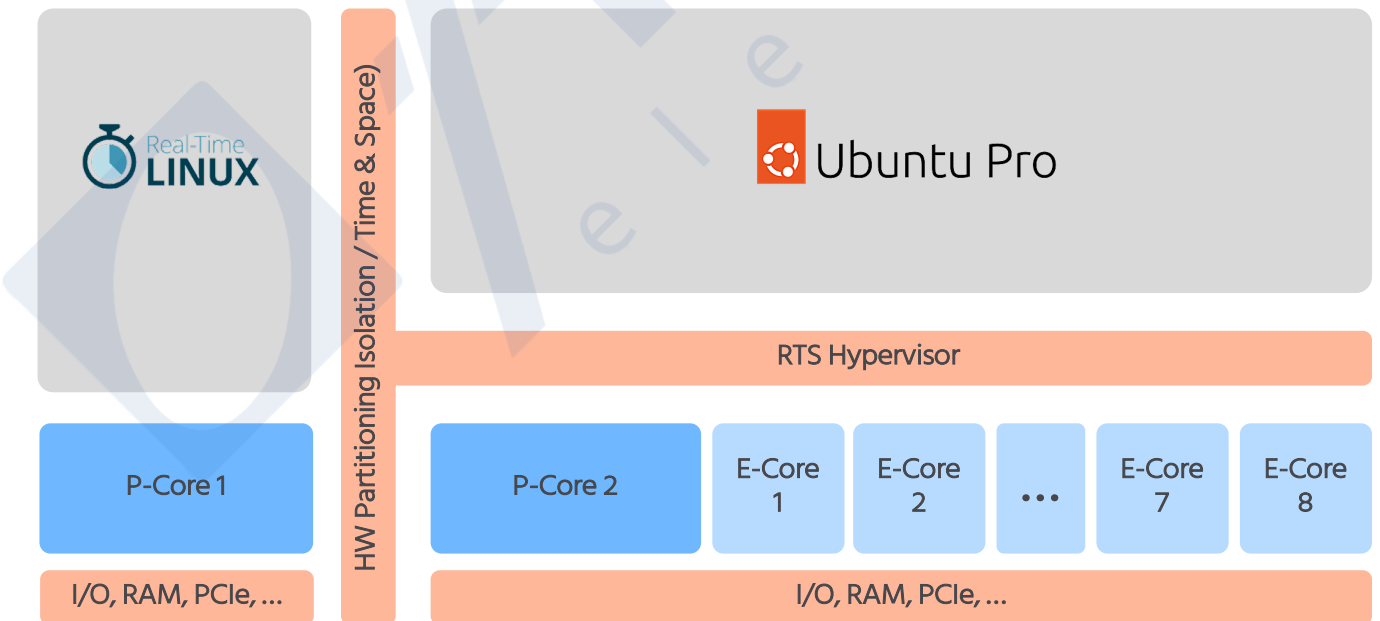
Singel 3 | B-2550 Kontich | Belgium | Tel. +32 (0)3 458 30 33 | info@alcom.be | www.alcom.be  
 Rivium 1e straat 52 | 2909 LE Capelle aan den IJssel | The Netherlands | Tel. +31 (0)10 288 25 00 | info@alcom.nl | www.alcom.nl



# conga-aCOM/mRLP | Block Diagram



# conga-aCOM/mRLP | System Consolidation



# conga-aCOM/mRLP | Modules Order Information

Article	PN	Description
conga-aCOM/mRLP	320001	aReady.COM including COM-HPC Size Mini module based on Intel® Core™ i5-1345URE processor with 2 P-cores 1.4GHz up to 4.6GHz Turbo and 8 E-cores 1.1GHz up to 3.4GHz Turbo   16GB onboard LPDDR5x memory   128 GB NVMe SSD   Active cooling solution (bore hole) Pre-installed Software: RTS Hypervisor (including evaluation license)   Real-Time Linux   Ubuntu Pro Desktop
conga-HPC/3.5-mini	065630	COM-HPC 3.5" Application carrier board for COM-HPC Mini Modules

© 2024 congatec GmbH.  
All rights reserved.

All data is for information purposes only. Although all the information contained within this document is carefully checked, no guarantee of correctness is implied or expressed. Product names, logos, brands, and other trademarks featured or referred are the property of their respective trademark holders. These trademark holders are not affiliated with congatec GmbH. Product not yet released for mass production.  
Revision 1.0 – March 2024



Singel 3 | B-2550 Kontich | Belgium | Tel. +32 (0)3 458 30 33 | info@alcom.be | www.alcom.be  
Rivium 1e straat 52 | 2909 LE Capelle aan den IJssel | The Netherlands | Tel. +31 (0)10 288 25 00 | info@alcom.nl | www.alcom.nl

[www.congatec.com](http://www.congatec.com)