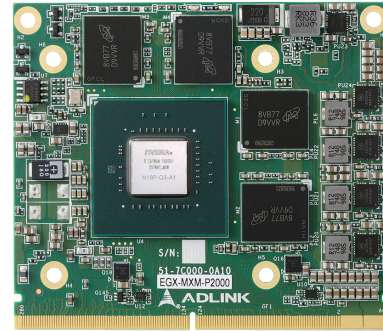


EGX-MXM-P2000

Mobile PCI Express Module with NVIDIA® Quadro® Embedded P2000

Features

- MXM 3.1 Type A form factor (82 x 70 mm)
- 768 NVIDIA® CUDA® cores
- 2.3 TFLOPS SP peak performance
- 4GB GDDR5 memory
- 96GB/s maximum memory bandwidth
- Support up to 4 FHD displays, 58W TDP
- 5-year availability



Introduction

The EGX-MXM-P2000 features advanced NVIDIA Quadro GPU with NVIDIA Pascal™ Architecture technology in MXM 3.1 Type A form factor. The EGX-MXM-P2000 has 768 NVIDIA CUDA cores and a peak single-precision floating-point performance of 2.3 TFLOPS. The EGX-MXM-P2000 has 4GB of GDDR5 memory and supports NVIDIA GPUDirect™ RDMA which helps increase data throughput by up to 80% and consequently system responsiveness by up to 60%*. Additionally, 4 FHD display outputs and an extended operating temperature range of -40°C to 85°C are supported. The embedded graphics product is suitable for mission-critical harsh-environment edge computing applications with size, weight, and power (SWaP) and network connectivity constraints.

Ordering Information

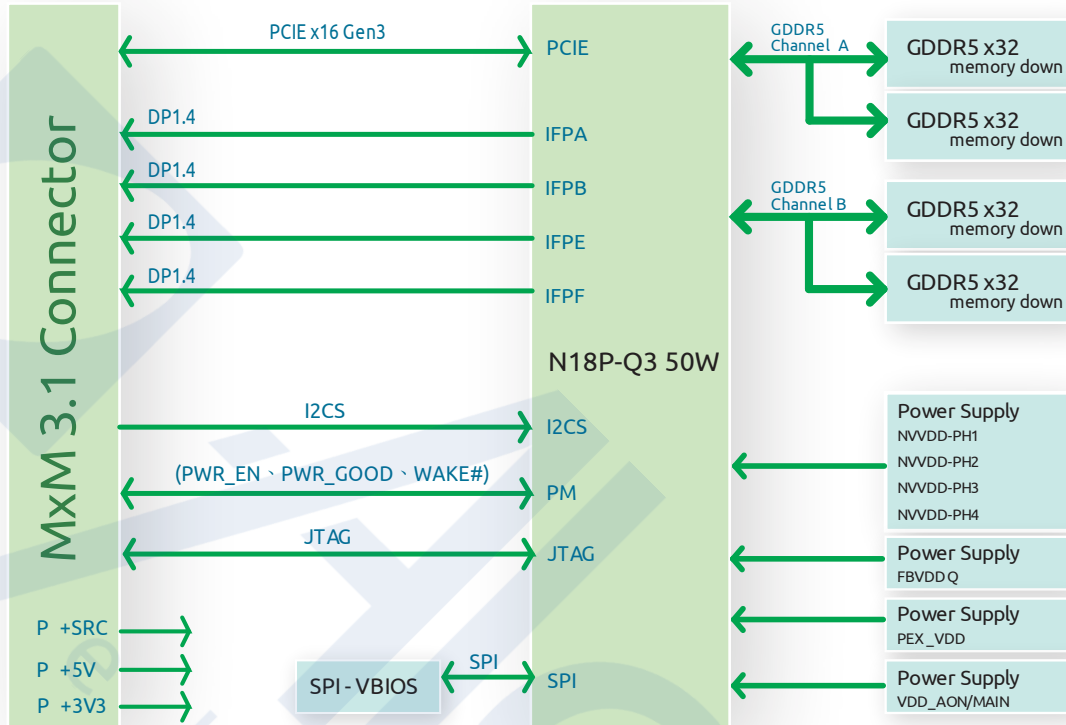
- **EGX-MXM-P2000**
 NVIDIA Quadro Embedded P2000, MXM 3.1 type A, 82 x 70mm, PCIe x16 Gen3

Specifications

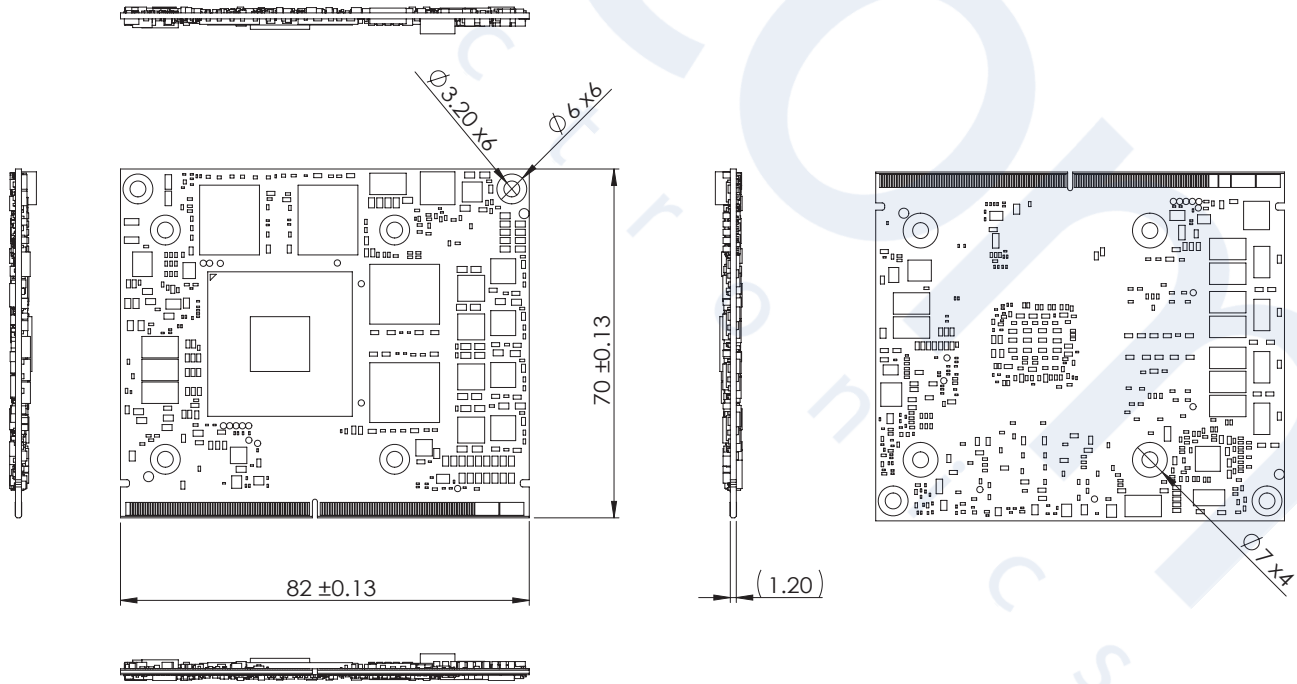
	EGX-MXM-P2000
Graphic Core	
Graphic Architecture	NVIDIA Pascal GP107
GPU	Quadro P2000
Display Outputs	4x DisplayPort 1.4 digital video outputs Support for High Dynamic Range (HDR) video 4K at 120Hz or 5K at 60Hz with 10-bit color depth
Signal Interface	MXM 3.1, PCI Express Gen3 x16 supports
GPGPU Computing	
CUDA Supports	768 CUDA cores, 2.3 TFLOPS SP Peak CUDA Toolkit 8.0, CUDA Compute version 6.1 OpenCL™ 1.2, DirectX® 12, OpenGL 4.5, Vulkan 1.0
Memory	GDDR5 4GB memory, Memory width: 128-bit, bandwidth: 96 GB/s
Mechanicals	
Dimensions	82 (W) x 70 (D) x 4.8 (H) mm
Locking Mechanism	Standard MXM 3.1 Type A
Environmental	
Operating Temp.	Standard: 0°C to 55°C, ETT: -40°C to 85°C
Storage Temp.	-40°C to 85°C
SW supports	
OS Support	Windows 7/10 & Linux Drivers, 64bit

* The software and workloads used in performance tests were optimized for performance on ADLINK platforms. Performance tests are measured using specific computer systems, components, software, operations and functions. Any changes to these factors may cause the results to vary. Contact ADLINK for more complete information about performance and benchmark results.

Block Diagram



Mechanical Drawing



Singel 3 | B-2550 Kontich | Belgium | Tel. +32 (0)3 458 30 33 | info@alcom.be | www.alcom.be

Rivium 1e straat 52 | 2909 LE Capelle aan den IJssel | The Netherlands | Tel. +31 (0)10 288 25 00 | info@alcom.nl | www.alcom.nl



www.adlinktech.com

All products and company name listed are trademarks or trade names of their respective companies.
 Updated Jun. 28, 2019. ©2019 ADLINK Technology, Inc. All Rights Reserved.
 All specifications are subject to change without further notice.