



Product Name: CT-39 Wearable monitoring bracelet

Part Number: CT-39B-A-N02

Features:

- Support 4G LTE+3G WCDMA networks
- Low Power Consumption and Smart Power Management
- Reusable and adjustable strap
- Built in flash memory keep data no lost
- Health management
- Tamper & Geofencing alarm
- SOS & Low battery notice
- Waterproof IP68
- RoHS & REACH Compliant

Applications:

- Electronic monitoring system
- Elderly Tracking

GNSS/4G Bracelet Tracker

MODEL: CT-39B-A-N02

Rev.A

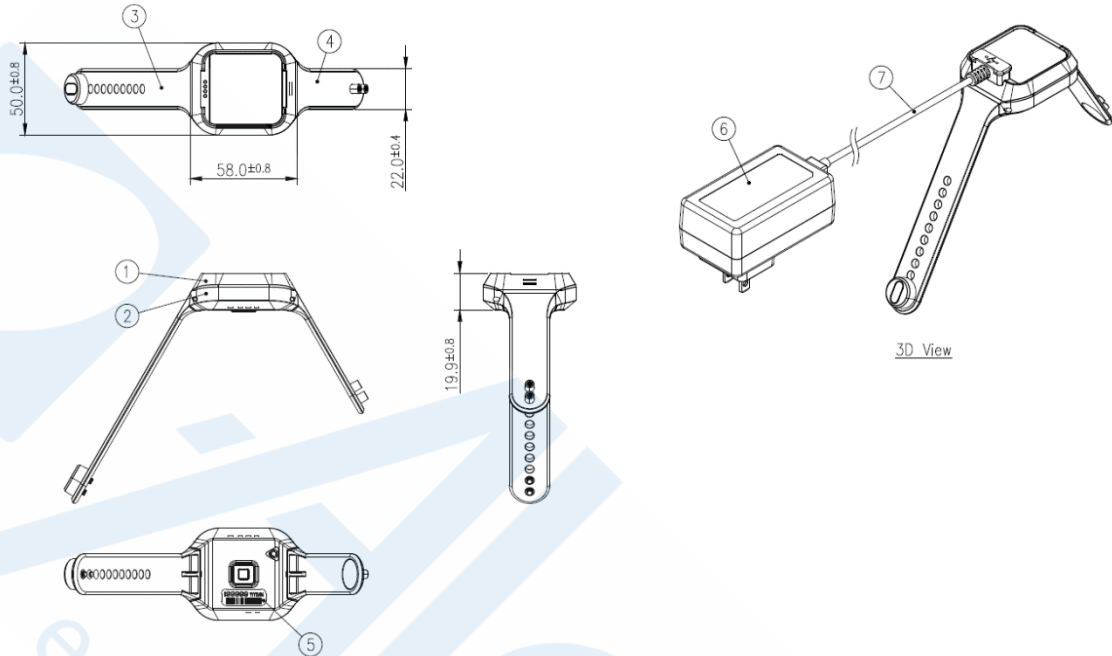
I. Specifications:

Cellular	
Module:	u-blox LARA R281
Frequency:	4G LTE: 700 / 800 / 900/ 1800 / 2100MHz 3G UMTS/HSDPA/HSUPA: 2100MHz
Transmission:	Power class 3 (23 dBm) for LTE mode Power class 3 (24 dBm) for UMTS/HSDPA/HSUPA mode
GPS	
GPS Module:	u-blox G8030 support NMEA0183
Sensitivity:	-164 dBm
Channels/ Frequency:	72 Channels/ GPS/QZSS/GLONASS
TTFT(Hot/Warm/Cold):	Cold/Warm <26 seconds Hot <1 second
Position Accuracy:	2.5 meter (CEP, 50%, 24 hours static, -130dBm, SEP: <3.5m)
Power	
Charge Voltage:	DC 5V (Standard)
Battery Power:	3.7V DC Li-Ion Battery, 800mAh
Battery life:	24 hours
Environment Condition	
Charging temperature:	0°C ~ +40°C
Working/Storage temperature:	0°C ~ +60°C*
Relative Humidity:	5% ~ 95%, non-condensing
Physical Construction	
Size:	58 mm* 50 mm * 20 mm
Band Size:	Band fits 140-210mm wrists.
Weight:	< 100 g
Waterproof:	IP68

*Note: Working temperature is tested in battery discharge, should not be over 60°C.

© Unictron Technologies Corp.
All specifications subject to change without notice.

II. Mechanical Drawing (Unit:mm):



Notes:

1. All material must be RoHS compliant.
2. IP Code : IP68

7	Charging cable (1.5m)	PVC	Black	1
6	Adapter	PC	Black	1
5	ID label	PET	White	1
4	Short strap	TPE	Black	1
3	Long strap	TPE	Black	1
2	Bottom Housing	PC	Black	1
1	Top Housing	PC	Black	1
No	NAME	MATERIAL	FINISH	Q'TY

© Unictron Technologies Corp.
All specifications subject to change without notice.

文件履歷表

申請單編號	版本	修訂內容簡述	修訂頁次	申請日期	修訂者
	A	新發行		2021/12/14	Iris Lin
發行份數：電子檔發行					