

## Embedded Solutions

mSATA SSDs

# MSA452P



Featuring the Serial ATA interface and built around a powerful controller, Transcend's SATA III 6Gb/s MSA452P mSATA SSD delivers blazing-fast performance. The MSA452P features the latest 3D NAND technology for high storage efficiency, 30 $\mu$ m PCB gold finger and Corner Bond technology for enhanced durability, built-in DRAM cache for fast access, an extended operating temperature range from -20°C to 75°C, and an endurance rating of 3K Program/Erase cycles for reliable operation. The built-in Intelligent Power Shield (IPS) further ensures data integrity in mission-critical applications. The compact mSATA form factor is just one-eighth the size of a standard 2.5" SSD, making it perfect for use in space-constricted portable devices such as Ultrabooks, tablet PCs, and slim servers.

## Hardware Features

- 30 $\mu$ m PCB gold finger
- Endurance: 3K P/E cycles (Program/Erase cycles) guaranteed
- DDR3 DRAM Cache embedded
- Intelligent Power Shield (IPS) to prevent data loss in the event of sudden power outage
- Key components fortified by default with Corner Bond technology

## Firmware Features

- Dynamic thermal throttling
- Security Command
- Built-in LDPC ECC (Error Correction Code) functionality
- Enhanced S.M.A.R.T. function for durability
- Power-saving DevSleep (Device Sleep) mode

## Ordering Information

128GB TS128GMSA452P

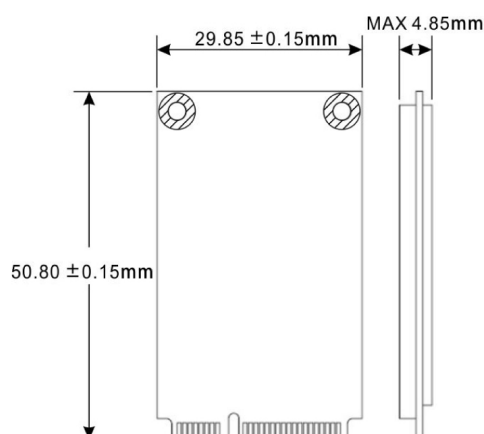


Singel 3 | B-2550 Kontich | Belgium | Tel. +32 (0)3 458 30 33  
 info@alcom.be | www.alcom.be  
 Rivium 1e straat 52 | 2909 LE Capelle aan den IJssel | The Netherlands  
 Tel. +31 (0)10 288 25 00 | info@alcom.nl | www.alcom.nl

## Specifications

<b>Appearance</b>	Dimensions	50.8 mm x 29.85 mm x 4.85 mm (2" x 1.18" x 0.19")
	Weight	8 g (0.28 oz)
	mSATA Type	MO-300
	Pin Count	52 pin
	Form Factor	mSATA
<b>Interface</b>	Bus Interface	SATA III 6Gb/s
<b>Storage</b>	Flash Type	3D NAND flash
	Capacity	128 GB
<b>Operating Environment</b>	Operating Voltage	3.3V±5%
	Operating Temperature	Extended -20°C (-4°F) ~ 75°C (167°F)
	Storage Temperature	-55°C (-67°F) ~ 85°C (185°F)
	Humidity	5% ~ 95%
	Shock	1500 G, 0.5 ms, 3 axis
	Vibration (Operating)	20 G (peak-to-peak), 7 Hz ~ 2000 Hz (frequency)
<b>Power</b>	Power Consumption (Operation)	2.0 watt(s)
	Power Consumption (Sleep)	0.4 watt(s)
<b>Performance</b>	Sequential Read/Write (CrystalDiskMark, max.)	Read: up to 560 MB/s Write: up to 410 MB/s
	4K Random Read/Write (IOMeter, max.)	Read: up to 64,000 IOPS Write: up to 75,000 IOPS
	Mean Time Between Failures (MTBF)	3,000,000 hour(s)
	Terabytes Written (Max.)	220 TBW
	Drive Writes Per Day (DWPD)	1.61 (3 yrs)
<b>Warranty</b>	Certificate	CE / FCC / BSMI
	Warranty	Three-year Limited Warranty

## Mechanical Dimensions



Product specifications are subject to change without notice. Pictures shown may differ from actual products. Total accessible capacity varies depending on operating environment. Due to the complexity and variety of industrial applications, Transcend cannot guarantee 100% compatibility with all platforms and under all scenarios. For special applications and environments, it is strongly suggested that you contact Transcend beforehand for clarification.



Singel 3 | B-2550 Kontich | Belgium | Tel. +32 (0)3 458 30 33  
[info@alcom.be](mailto:info@alcom.be) | [www.alcom.be](http://www.alcom.be)  
 Rivium 1e straat 52 | 2909 LE Capelle aan den IJssel | The Netherlands  
 Tel. +31 (0)10 288 25 00 | [info@alcom.nl](mailto:info@alcom.nl) | [www.alcom.nl](http://www.alcom.nl)