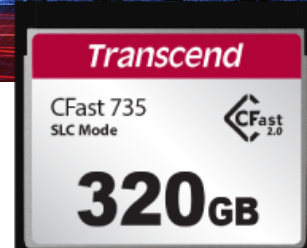


## Embedded Solutions

V11/24

### CFast Cards

# CFX735 & CFX735I



Transcend's CFX735 CFast card is designed with 112-layer 3D NAND flash and SATA III 6Gb/s interface, featuring high transfer speeds and large capacities, as well as plug-and-play convenience. The CFX735 can operate stably under  $-5^{\circ}\text{C} \sim 70^{\circ}\text{C}$ , and wide-temperature ( $-40^{\circ}\text{C} \sim 85^{\circ}\text{C}$ ) model can be provided upon request. The CFX735 comes with SLC Mode technology, enhancing flash endurance to 100K P/E cycles while having a sustained write speed that is suitable for write-intensive equipment. Otherwise, the CFX735 includes an Write-Protect Switch—a simple yet powerful tool that instantly safeguards your data. With one quick switch, lock your files from accidental edits, deletions, or unauthorized changes.

## Hardware Features

- Compliant with RoHS 2.0 standards
- Compliant with CFast specification 2.0
- High-quality 3D NAND flash and SLC mode for exceptional endurance and reliability
- Durability: 10,000 insertion/removal cycles
- Promised operational reliability in a wide temperature range (from  $-40^{\circ}\text{C}$  to  $85^{\circ}\text{C}$ )

## Firmware Features

- Full drive encryption with Advanced Encryption Standard (AES)
- Built-in LDPC ECC (Error Correction Code) functionality
- Advanced Global Wear-Leveling and Block management for reliability
- Early Move
- Supports S.M.A.R.T. function to conduct health monitoring, analysis, and reporting for storage devices

## Ordering Information

20GB	TS20GCFX735 TS20GCFX735I
40GB	TS40GCFX735 TS40GCFX735I
80GB	TS80GCFX735 TS80GCFX735I
160GB	TS160GCFX735 TS160GCFX735I
320GB	TS320GCFX735 TS320GCFX735I



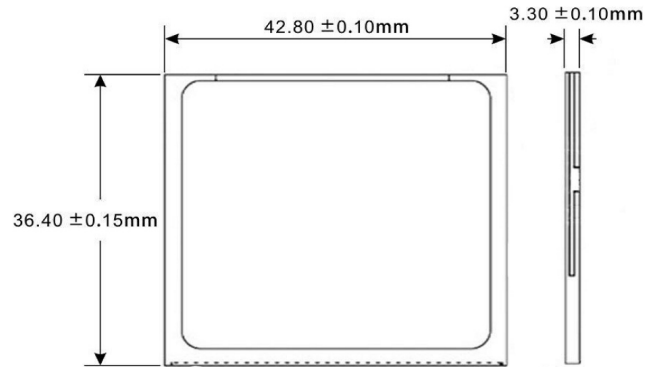
Singel 3 | B-2550 Kontich | Belgium | Tel.+32(0)3 458 30 33  
[info@alcom.be](mailto:info@alcom.be) | [www.alcom.be](http://www.alcom.be)

Rivium 1e straat 52 | 2909 LE Capelle aan den IJssel | The Netherlands  
 A STELIAU COMPANY ●●●● Tel.+31(0)10 288 25 00 | [info@alcom.nl](mailto:info@alcom.nl) | [www.alcom.nl](http://www.alcom.nl)

## Specifications

<b>Appearance</b>	Dimensions	42.8 mm x 36.4 mm x 3.3 mm (1.69" x 1.43" x 0.13")
	Form Factor	CFast
<b>Interface</b>	Bus Interface	SATA III 6Gb/s
<b>Storage</b>	Flash Type	112-layer 3D NAND flash (SLC mode)
	Capacity	20 GB / 40 GB / 80 GB / 160 GB / 320 GB
<b>Operating Environment</b>	Operating Voltage	3.3V±5%
	Operating Temperature	Standard Temp. -5°C (23°F) ~ 70°C (158°F)
		Wide Temp. -40°C (-40°F) ~ 85°C (185°F)
	Storage Temperature	-40°C (-40°F) ~ 85°C (185°F)
	Humidity	0% ~ 95%
	Shock	15 G, 11 ms, 3 axis
Vibration (Operating)	3 G (peak-to-peak), 5 Hz ~ 800 Hz (frequency)	
<b>Power</b>	Power Consumption (Max.)	1.2 watt(s)
<b>Performance</b>	Read Speed (Max.)	Up to 550 MB/s
	Write Speed (Max.)	Up to 520 MB/s
	Mean Time Between Failures (MTBF)	3,000,000 hour(s)
<b>Warranty</b>	Warranty	Three-year Limited Warranty

## Mechanical Dimensions



Product specifications are subject to change without notice. Pictures shown may differ from actual products. Total accessible capacity varies depending on operating environment. Due to the complexity and variety of industrial applications, Transcend cannot guarantee 100% compatibility with all platforms and under all scenarios. For special applications and environments, it is strongly suggested that you contact Transcend beforehand for clarification.



Singel 3 | B-2550 Kontich | Belgium | Tel.+32(0)3 458 30 33  
[info@alcom.be](mailto:info@alcom.be) | [www.alcom.be](http://www.alcom.be)

Rivium 1e straat 52 | 2909 LE Capelle aan den IJssel | The Netherlands  
 Tel.+31(0)10 288 25 00 | [info@alcom.nl](mailto:info@alcom.nl) | [www.alcom.nl](http://www.alcom.nl)