

TPC-DCP156HT

15.6" FHD PoE Industrial Panel PC

Version: 1.0



Features

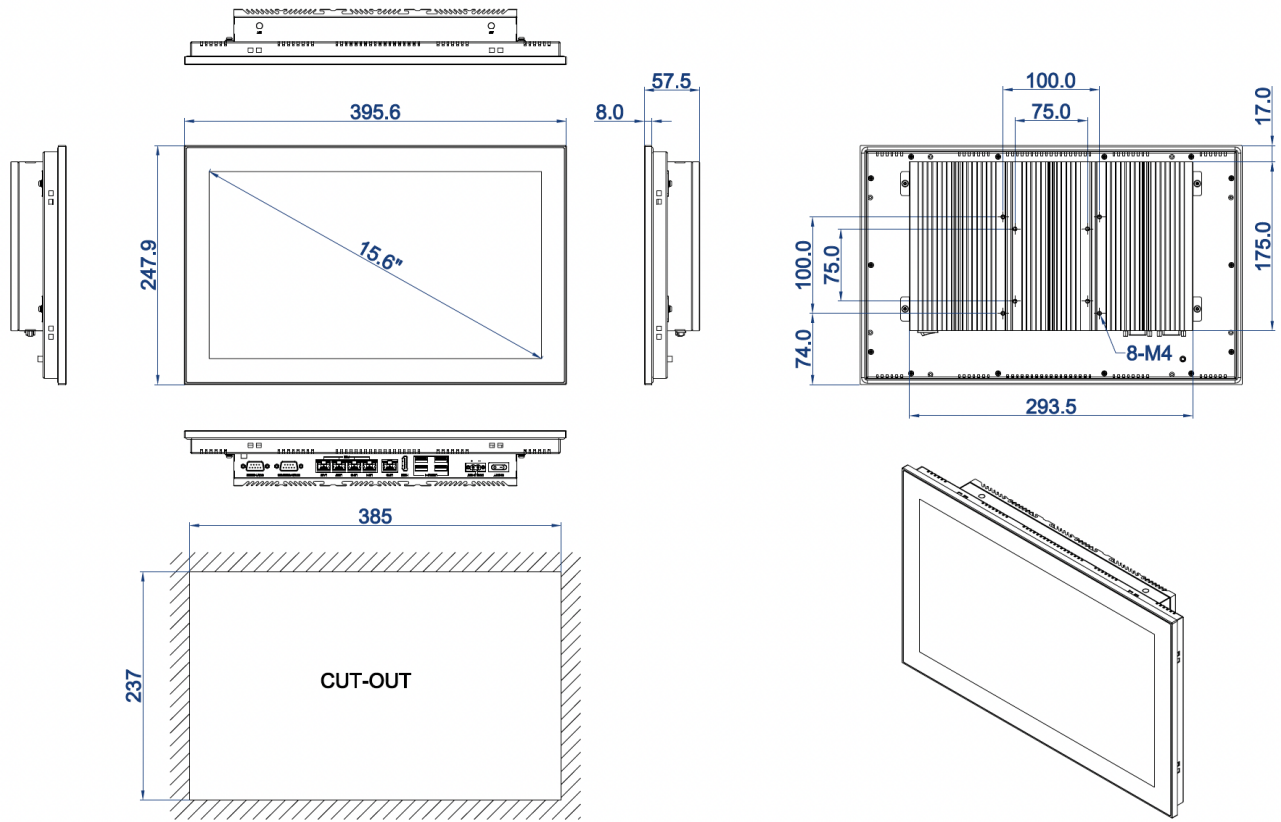
- 15.6" TFT LCD display, LED Backlit, Full HD 1920 *1080;
- Intel 11th Gen. Celeron, Core i3/i5/i7 high computing processors;
- Multi-points (Max. up to 10 points) Projective capacitive touch, EETI controller;
- Aluminum-magnesium alloy, anodized treatment, Modular designed;
- DC 9~36V, with over-current, over-voltage and polarity protection;
- 5*GLAN (Support 4* PoE), 4*USB3.0, 2*COM, 1*HDMI;
- Fan-less & Slim design, Panel mount, VESA, Front IP65 protection.

Specification

Hardware & System	BIOS	SPI AMI EEI BIOS
	CPU	Intel 11 th Gen. Tiger Lake UP3 Celeron 6305E, Core i3-1115G4, Core i5-1135G7, Core i7-1165G7
	Memory	SO-DIMM, DDR4, max. up to 32GB
	Storage	1* M.2 2280 M-key+ 1* 2.5" SATA 3.0
	Graphic	Intel UHD Graphics or Intel Iris Xe Graphics
	Network	5* Intel I211AT (Optional 3G/4G/Wi-Fi)
	Expansion	1* Full size Mini-PCIe slot
	Watch dog	0~256 seconds programmable
	OS	Win10, Win11, Linux
IO interface	COM	2 * RS232 (Optional 1* RS485)
	Ethernet	5* RJ45, 10/100/1000 Mbps, 4* Support PoE 802.3 AF (Single port max. up to 15.4W, total less than 45W)
	USB	4x USB3.0
	Display	1x HDMI
	Power	1x 2 pins, phenix terminal
LCD Display	Size/Type	15.6" TFT LCD
	Resolution	1920 * 1080 (FHD)
	Brightness	450 nits
	Backlit & MTBF	LED backlit & 50 000hours
	Display area	344.23 * 193.54
	View angle	85/85/85/85
Touchscreen	Type	Projective capacitive touchscreen
	Touch points	Multi points touch, max. up to 10 points
	Durability	>100 000 000 times
	Surface hardness	Mohs 6H
	Special treatment	Anti-fingerprint (AF)
Structure	Structure and surface	Magnesium-Aluminum alloy, sand blasting, anodized treatment
	Mount method	Panel mount, VESA 75/100
	Cooling system	Large area finned heat sink
	Overall dimension	395.6 * 247.9 * 57.5 (mm)
	Cut-out dimension	385 * 237 (mm)
	Net weight	4.3 KG
	IP protection	Front Panel IP65
Power & Environmental	Operating temp.	-20 ~ +70°C
	Storage temp.	-30 ~ +80°C
	Relative Humidity	10 ~ 95% @ 10C (Non-condensation)
	Vibration	50 ~ 500 Hz, 1.5G, 0.15mm peak to peak
	Shock	10G/Peak (11 ms)
	Power input	DC 9~36V
	Power consumption	Around 40W
	EMC	CE/FCC Class A

DIMENSIONAL DRAWING:TPC-DCP156T

Dimension



DIMENSIONS IN MILLIMETERS

TAICEM
 DATE:2022.11.29
 REV:A Unitmm

Ordering info.

Part no.	Description
TPC-DCP156HT0	15.6", 1920 * 1080, Celeron 6305E, Dual-core 1.8Ghz, Pcap. touch, 5*GLAN (4* PoE), 4*USB3.0, 2*COM, 1*HDMI, DC 9~36V
TPC-DCP156HT1	15.6", 1920 * 1080, Core i3-1115G4, Dual-core 4.1Ghz, Pcap. touch, 5*GLAN (4* PoE), 4*USB3.0, 2*COM, 1*HDMI, DC 9~36V
TPC-DCP156HT2	15.6", 1920 * 1080, Core i5-1135G7, Quad-core 4.2Ghz, Pcap. touch, 5*GLAN (4* PoE), 4*USB3.0, 2*COM, 1*HDMI, DC 9~36V
TPC-DCP156HT3	15.6", 1920 * 1080, Core i7-1165G7, Quad-core 4.7Ghz, Pcap. touch, 5*GLAN (4* PoE), 2*USB3.0, 2*COM, 1*HDMI, DC 9~36V
Memory	SO-DIMM, <u>DDR4_4GB/8GB/16GB/32GB</u> Memory
Storage	M.2 SSD: <u>128GB/256GB/512GB</u>
	2.5" SATA SSD: <u>256GB/512GB</u>
	2.5" HDD: <u>1TB/2TB/4TB</u>
Wireless Modules	Wi-Fi module, with Antenna
	Wi-Fi with BT integrated module, with Antenna
	All network 4G/LTE module, With Antenna

Packing List

■ 1x Standard Product
■ 1x 90W PSU (Power Supply)
■ 1x Power cable & Plug
■ 8x Panel mount metal clips