

TPC-DCS121A1

12.1" XGA Apollo Lake J3455 Pcap. Panel PC

Version: 3.0



Features

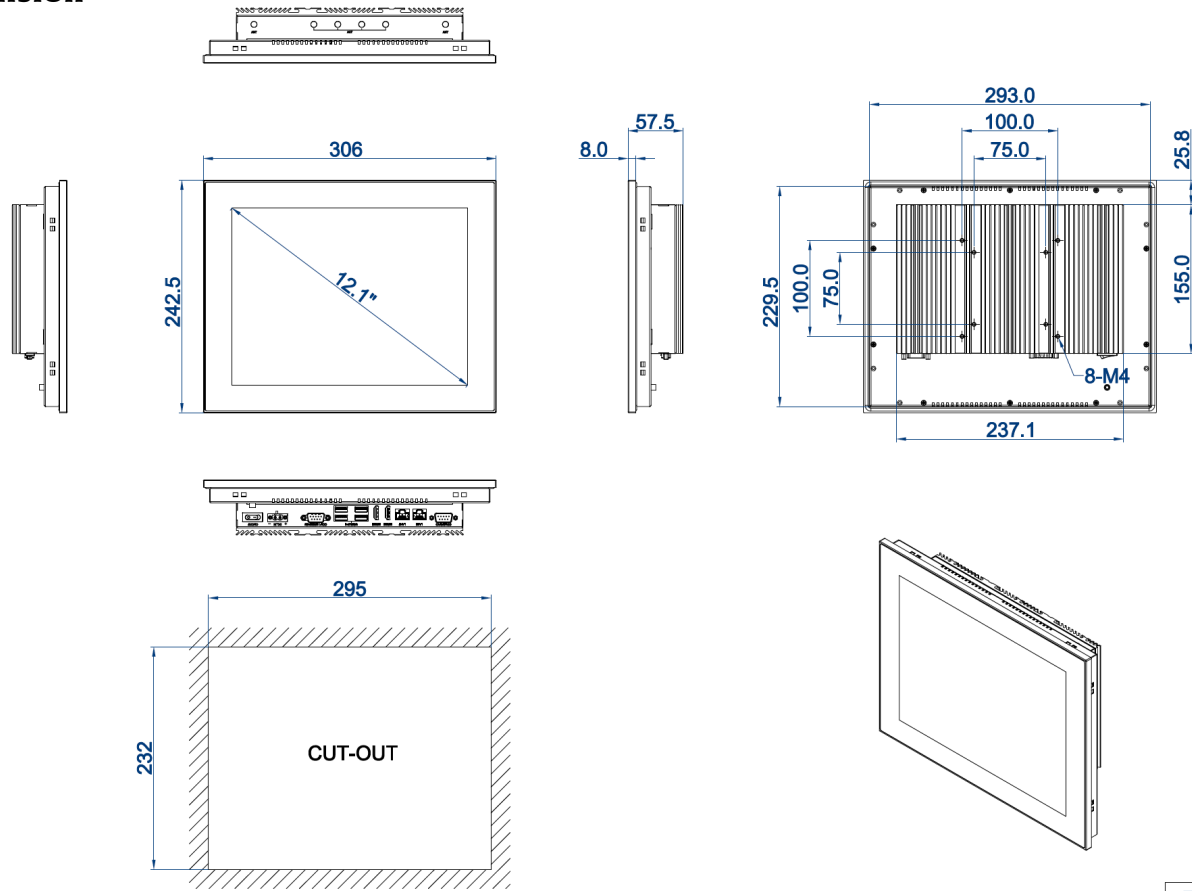
- 12.1" TFT LCD display, LED Backlit, XGA 1024 *768;
- Intel Apollo Lake Celeron J3455 processor, Quad-core 1.5Ghz;
- Multi-points (Max. up to 10 points) Projective capacitive touch, EETI controller;
- Aluminum-magnesium alloy, anodized treatment, Modular designed;
- DC 12V, optional wide voltage DC 9~36V power input;
- IO: 2*GLAN, 4*USB3.0, 2*COM (DB9), 2*HDMI;
- Intel PTT TPM2.0, support Windows 11;
- Fan-less & Slim design, Panel mount, VESA, Front IP65 protection.

Specification

Hardware & System	BIOS	SPI AMI EEI BIOS
	CPU	Intel Apollo Lake J3455, Quad-core 1.5Ghz, burst to 2.3Ghz
	Memory	SO-DIMM, Support DDR3L 1333/1600/1866 MHz, Max. up to 8GB
	Storage	1* M.2 (SATA)
	Graphic	Intel UHD Graphics 500
	Network	2* Intel I225 GBE LAN chip (Optional wireless 3G/4G, 5G, Wi-Fi/BT, Wi-Fi 6)
	Audio	On-board Realtek ACL 662 audio controller
	Expansion	1* M.2 Key-B slot, 1* Mini-PCle slot
	Watch dog	0~256 seconds programmable
	OS	Win10, Win11, Linux, Ubuntu
	IO interface	COM
Ethernet		2* RJ45, 10/100/1000 Mbps
Audio		No
USB		4x USB3.0
Display		2x HDMI
Power		1x 2 pins, phenix terminal
LCD Display	Size/Type	12.1" TFT LCD
	Resolution	1024 * 768 (XGA)
	Brightness	350 nits
	Backlit & MTBF	LED backlit & 50 000hours
	Display area	245.76 * 184.32
	View angle	80/80/80/80
Touchscreen	Type	Projective capacitive touchscreen
	Touch points	Multi points touch, max. up to 10 points
	Durability	>100 000 000 times
	Surface hardness	Mohs 6H
	Special treatment	Anti-fingerprint (AF)
Structure	Structure and surface	Magnesium-Aluminum alloy, sand blasting, anodized treatment
	Mount method	Panel mount, VESA 75/100
	Cooling system	Large area finned heat sink
	Overall dimension	306.0 * 242.5 * 57.5 (mm)
	Cut-out dimension	295 * 232 (mm)
	Net weight	3.5 KG
	IP protection	Front Panel IP65
Power & Environmental	Operating temp.	-20 ~ +70°C
	Storage temp.	-30 ~ +80°C
	Relative Humidity	10 ~ 95% @ 10C (Non-condensation)
	Vibration	50 ~ 500 Hz, 1.5G, 0.15mm peak to peak
	Shock	10G/Peak (11 ms)
	Power input	DC 12V (Optional DC 9~36V)
	Power consumption	Around 30W
	EMC	CE/FCC Class A

DIMENSIONAL DRAWING:TPC-DCS121

Dimension



DIMENSIONS IN MILLIMETERS

TAICEM
 DATE:2022.02.10
 REV:A Unit:mm

Ordering info.

Part no.	Description
TPC-DCS121A1	12.1", 1024 * 768, Celeron J3455, Quad-core 1.5Ghz, Pcap. touch, 2*GLAN, 4*USB3.0, 2*COM, 2*HDMI, DC 12V, PSU
TPC-DCS121A1W	12.1", 1024 * 768, Celeron J3455, Quad-core 1.5Ghz, Pcap. touch, 2*GLAN, 4*USB3.0, 2*COM, 2*HDMI, DC 9~36V, No PSU by default
Memory	SO-DIMM, DDR3L, <u>4GB/8GB</u> Memory
Storage	M.2 SSD: <u>128GB/256GB/512GB</u>
Wireless Modules	Wi-Fi module, with Antenna
	Wi-Fi with BT integrated module, with Antenna
	All network 4G/LTE module, With Antenna
	5G module, with Antenna
Power supply	Optional PSU for TPC-DCS121A1W
SIM Card module	Sim Card slot for 3G/4G/5G wireless function

Packing List

■ 1x Standard Product
■ 1x 60W PSU (Power Supply)
■ 1x Power cable & Plug
■ 8x Panel mount metal clips