



Features:

- Modular designed, aluminum-magnesium alloy, anodized treated;
- 10.1" TFT LCD Display, LED Backlit, WXGA 1280*800;
- High temp. 5-wires Resistive touchscreen, EETI controller;
- USB touch interface, optional RS232 touch interface;
- DC 12V power input, optional wide DC 9 ~36v input;
- Dual signal inputs: 1 VGA, 1 DVI;
- Panel mount, VESA 75/100 mount, Front IP65 rated protection
- Optional outdoor high brightness and optical bonding features.

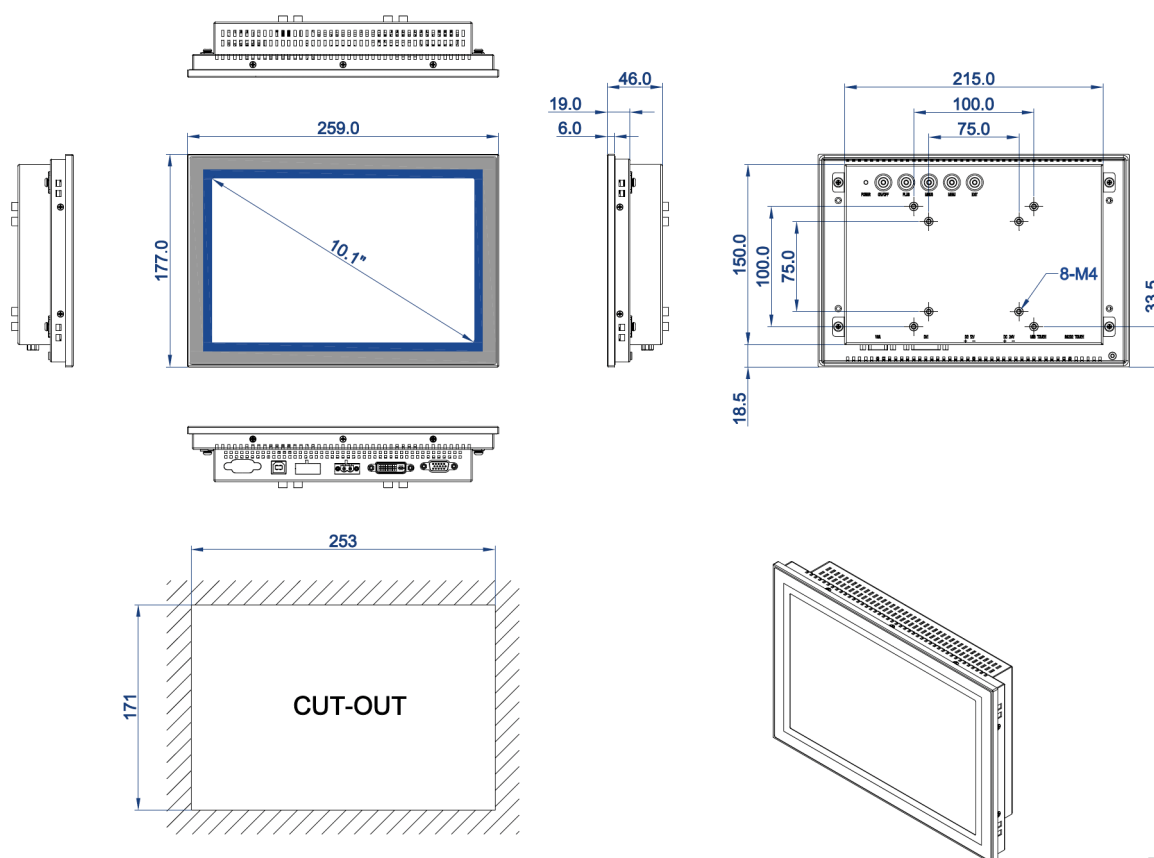
Specification



Basic	Front Panel	Magnesium-aluminum alloy, anodized treatment
	Rear Panel	SGCC Plate sheet, sand-blasting
	Control Button	OSD button on top of backside
	Signal Input	1 VGA, 1 DVI
	Mount Method	Panel mount, VESA 75/100
	Overall Dimension	259.0 * 177.0 * 46.0 (mm)
	Cut-out Dimension	253 * 171 (mm)
	Net Weight	2.4KG
	IP Rate	Front Surface IP65 water-proof/Dust-proof
LCD Display	Size/Type	10.1" TFT LCD Display
	Resolution	1280 * 800 (WXGA)
	Brightness	350 nits
	Contrast Ratio	800:1
	Backlit & Lifetime	LED Backlit & 30K hours
	Display Area	216.96 * 135.6 (mm)
	View Angle	85/85/85/85
Touchscreen	Type	High temp. 5-wires precision resistive touchscreen
	Click Life	35 million times /250g
	Draw Life	5 million times /250g
	Surface Hardness	MOHS 6H
	Touch Controller	EETI
	Touch Interface	USB touch (Optional RS232 touch interface)
	Special Treatment	PET film laminated (Flat design)
Power & Environmental	Operating temp.	-20 ~ + 70 (°C)
	Storage temp.	-30 ~ + 70 (°C)
	Humidity	10 ~ 95% @ 10C (No condensation)
	Vibration	50 ~ 500 Hz, 1.5G, 0.15mm peak to peak
	Shock	10G/Peak (11 ms)
	Power input	DC 12V (Optional wide voltage DC 9~36V)
	Power consumption	About 10W
	Certificate	CE/FCC/ROHS

Dimension

DIMENSIONAL DRAWING:TM-PR101



DIMENSIONS IN MILLIMETERS

TAICENN
DATE:2023.11.23
REV:A Unit:mm

Ordering information

Part no.	Description
TM-PR101	10.1" LCD, WXGA 1280 *800, Resistive Touch, USB Touch Interface, 1 VGA, 1 DVI, DC 12V, PSU
TM-PR101S	10.1" LCD, WXGA 1280 *800, Resistive Touch, RS232 Touch Interface , 1 VGA, 1 DVI, DC 12V, PSU
TM-PR101W	10.1" LCD, WXGA 1280 *800, Resistive Touch, USB Touch Interface, 1 VGA, 1 DVI, DC 9~36V, No PSU by default
TM-PR101L	10.1" LCD, WXGA 1280 *800, High brightness option , Resistive Touch, USB Touch Interface, 1 VGA, 1 DVI, DC 12V, PSU
TM-PR101L-OB	10.1" LCD, WXGA 1280 *800, High brightness & optical bonding , Resistive Touch, USB Touch Interface, 1 VGA, 1 DVI, DC 12V, PSU
Optional Accessories	Description
HDMI Cable	HDMI-DVI Cable, around 2.0m length
DVI Cable	DVI Cable, around 2.0m length
PSU	40W PSU (Extra for TM-PR101W model)
COM Cable	COM cable, around 1.8m length (For TM-PR101S model)

Packing List

Description	Quantity	Description	Quantity
Standard TM-PR101	1 piece	VGA Cable, around 1.8m length	1 piece
40W PSU	1 set	Power Cable & Plug	1 set
USB Touch Cable, around 1.8m length	1 piece	Panel mount metal clips	1 set (8 pieces)