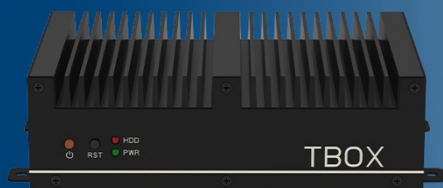


TBOX-1E10

Ultra-Small Intel J6412 Box PC

Version: 1.0



Features:

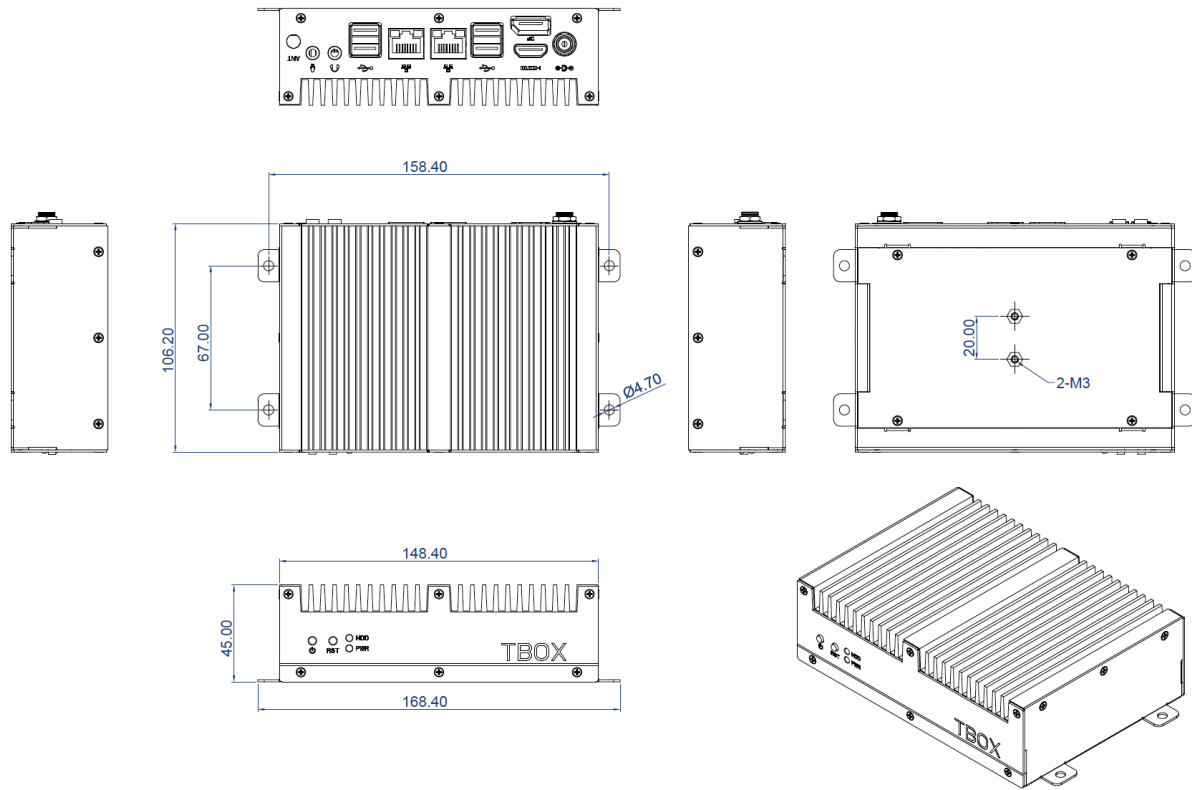
- Rugged, Ultra-small, fanless designed box structure;
- Intel Elkhart Lake Celeron J6412 Quad-core processor;
- Wide DC 9~36V power input, with over-voltage, polarity protection;
- Industrial -20 ~ + 60°C operating range;
- 2 GLAN, optional with 3G/4G/LTE/5G, and Wi-Fi/BT expansion;
- 4 USB3.0, 1 HDMI, 1 DP, Mic-in/Line-out;
- 1 M.2 3042/52 B-key, and 1 M.2 2230 E-key slot.

Specification

| | | |
|----------------------------------|---------------------------|----------------------------------------------------------------------------|
| System | BIOS | SPI AMI EEI BIOS |
| | CPU | Intel Elkhart Lake J6412, Quad-core processor |
| | CPU Ghz | Quad-core 2.0Ghz, burst to 2.6Ghz |
| | TDP | 10W |
| | Memory | SO-DIMM, DDR4-3200Mt/s, Max. up to 32GB |
| | Storage | 1* M.2 2280 M-Key PCIe x2 |
| | Graphic | Intel UHD Graphics Gen10 |
| | Network | 1* Intel I225-V, 1* Intel I211AT, optional support 3G/4G/5G/Wi-Fi wireless |
| | Audio | On-board Realtek ACL 269 Audio controller |
| | Expansion | 1* M.2 3042/52 B-key slot. 1* M.2 2230 E-key slot |
| | Watchdog | 0 ~ 256 seconds programmable |
| | Operating system | Win10, Win11, Linux |
| | IO interface | Serial port |
| Ethernet | | 2* RJ45, 10/100/1000 Mbps |
| Audio | | Mic-in/Line-out |
| USB | | 4* USB3.0 |
| Display | | 1* HDMI, 1* DP |
| Power input | | DC Jack, lockable 5.5 * 2.5 |
| GPIO | | Optional |
| Structure | Box structure and surface | Aluminum alloy, anodizing and anti-scratch treatment |
| | Color | Black |
| | Mount method | Desktop, wall mount, optional with Din-rail mount |
| | Cooling system | Finned aluminum heatsinks |
| | Indicator & Button | Power switch, Power LED, HDD LED |
| | Dimension | 168.4 * 106.2 * 45 (mm) |
| | Net weight | About 0.8 KG |
| Power & Environmental | Operating temp. | -20 ~ + 60 (°C) |
| | Storage temp. | -40 ~ + 70 (°C) |
| | Humidity | 10 ~ 95% @ 10C (No condensation) |
| | Vibration | 50 ~ 500 Hz, 1.5G, 0.15mm peak to peak |
| | Shock | 10G/Peak (11 ms) |
| | Power input | DC 9~36V |
| | Power consumption | About 20W |
| | EMC | CE/FCC Class A |

DIMENSIONAL DRAWING:TBOX-1E10

Dimension



DIMENSIONS IN MILLIMETERS

TAICENN
 DATE:2022.08.03
 REV:A Unit:mm

Ordering information

| Part no. | Description |
|------------------|-------------------------------------------------------------------------------------|
| TBOX-1E10 | Intel Elkhart Lake J6412, 2 RJ45, 4 USB3.0, 1 HDMI, 1 DP, Mic-in/Line-out, DC 9~36V |
| Memory | Memory: SO-DIMM, DDR4,4GB/8GB/16GB |
| Storage | M.2 NVMe SSD: 128GB/256GB/512GB |
| Wireless Modules | Wi-Fi module, with Antenna |
| | Wi-Fi module with BT integrated, with antenna |
| | All network 4G module, with Antenna |
| | 5G module, with Antenna |
| TDRK-BOX1-35 | Din 35 mount clip (1 set per unit) |

Packing List

| |
|--------------------------------|
| ■ 1 unit standard Product |
| ■ 1 set 40W PSU (Power supply) |
| ■ 1 set Power Cable & Plug |