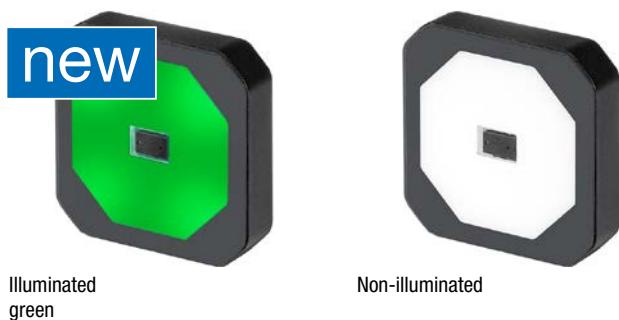


Touchless Switch



Illuminated green

Non-illuminated

See below:

[Approvals and Compliances](#)
Description

- Touchless Momentary (MO) push button
- Multicolor illumination
- Standard sensitivity for glass thickness of up to 2mm
- Quick and easy installation behind all materials (glass, plastic, wood, metal,...). There must be a small viewing window for the sensor.

Unique Selling Proposition

- Allows free design
- Invisible installation
- Small mounting depth

Characteristics

- Insensitive to water and rain
- Area illumination
- Wearless, no moving parts
- Wiping tolerant
- 3M Adhesive transfer tape 468MP

Other versions on request

- Design-In-Kit
- Switching type latching

Weblinks

[pdf data sheet](#), [html datasheet](#), [General Product Information](#), [CAD-Drawings](#), [Product News](#), [Detailed request for product](#)

Technical Data
Electrical Data

| | |
|------------------------------|----------------------------|
| Switching Voltage | max. 42 VAC/ 60 VDC |
| Switching current | max. 100 mA |
| Switch Resistance OFF | > 10 MΩ |
| Switch Resistance ON | < 16 Ω |
| Supply Voltage | 5 - 28 VDC |
| Current Consumption all LEDs | adjustable by the customer |
| Reverse Polarity Protection | Yes |
| Short Circuit Protection | Yes |
| Output Type | OptoMOS Relais |
| Lifetime | > 100 million actuations |

Mechanical Data

| | |
|------------------------|--------------|
| Actuation Type | optical |
| Actuating Force | none |
| Climatical Data | |
| Operating Temperature | -40 to 85 °C |
| Storage Temperature | -40 to 85 °C |

Approvals and Compliances

Detailed information on product approvals, code requirements, usage instructions and detailed test conditions can be looked up in [Details about Approvals](#)

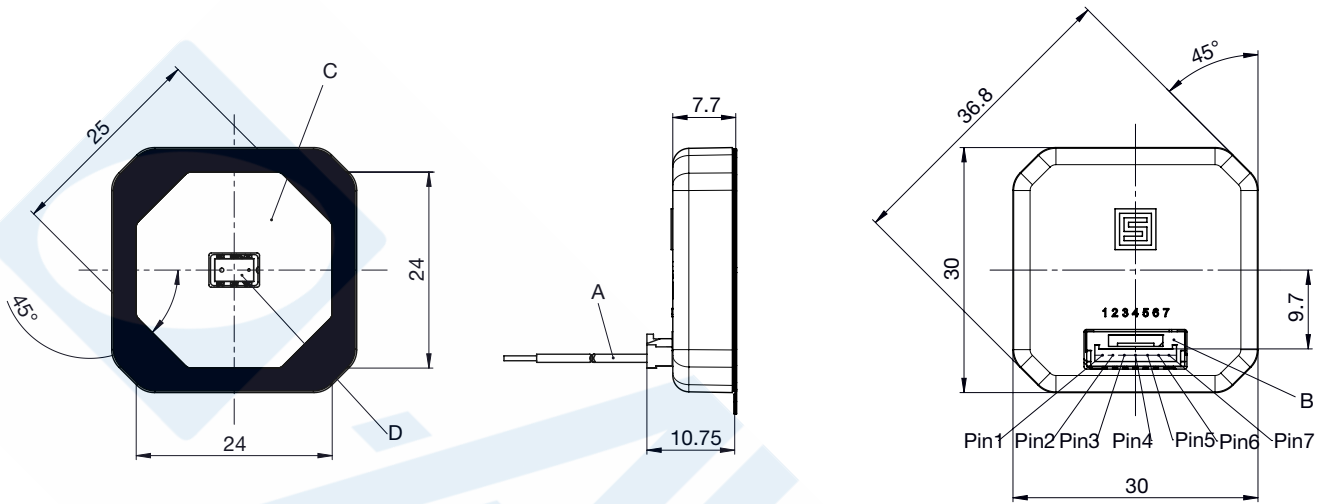
SCHURTER products are designed for use in industrial environments. They have approvals from independent testing bodies according to national and international standards. Products with specific characteristics and requirements such as required in the automotive sector according to IATF 16949, medical technology according to ISO 13485 or in the aerospace industry can be offered exclusively with customer-specific, individual agreements by SCHURTER.

Compliances

The product complies with following Guide Lines

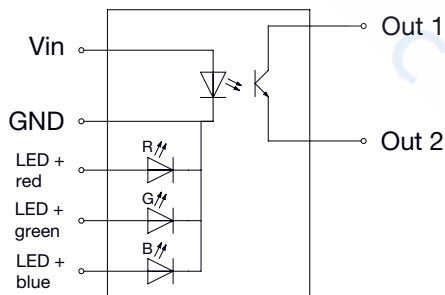
| Identification | Details | Initiator | Description |
|----------------|--|-------------|---|
| | CE declaration of conformity | SCHURTER AG | The CE marking declares that the product complies with the applicable requirements laid down in the harmonisation of Community legislation on its affixing in accordance with EU Regulation 765/2008. |
| | UKCA declaration of conformity | SCHURTER AG | The UKCA marking declares that the product complies with the applicable requirements laid down in the British Amendment of Regulation (EC) 765/2008. |
| | RoHS | SCHURTER AG | Directive RoHS 2011/65/EU, Amendment (EU) 2015/863 |
| | REACH | SCHURTER AG | On 1 June 2007, Regulation (EC) No 1907/2006 on the Registration, Evaluation, Authorization and Restriction of Chemicals 1 (abbreviated as "REACH") entered into force. |

Dimension [mm]



- A: Stranded
- B: Suitable for connector JST GHR-07V-S
- C: Illumination area
- D: Viewing window of the sensor LxW (mm) 6.2x4.2

Diagrams



Depending on the selected supply voltage (5 - 28 VDC) the series resistors for the LEDs have to be selected (max. 20 mA rated current)

Connection assignment

| PIN-number | Wire color | function |
|------------|------------|---------------------------------|
| 1 | brown BN | $V_{in} = 5\ VDC \dots 28\ VDC$ |
| 2 | black BK | GND |
| 3 | white WT | Out 1 |
| 4 | white WT | Out 2 |
| 5 | red RD | LED red |
| 6 | green GN | LED green |
| 7 | blue BL | LED blue |

Design-In-Kit



Development tool for special settings of THS

Area illumination

| Operating Data | Forward Voltage | Nominal LED current |
|---|-------------------------|---------------------|
| LED red | 2.1 V | 20 mA |
| LED green | 3.0 V | 20 mA |
| LED blue | 3.1 V | 20 mA |
| PWM frequency LED: max. 100Hz | | |
| Power consumption without lighting: < 1mA | (Output contact open) | |
| Power consumption without lighting: < 6mA | (Output contact closed) | |



Order number key

| | | | | | | | | | | | | | | | | | | | | | | | | | | | | | | | | | | | | | | | | |
|---|---|---|---|---|---|---|---|---|---|---|---|---|---|---|---|---|---|---|---|---|---|---|---|---|---|---|---|----|---|----|---|----|---|---|---|----|---|----|---|----|
| T | H | S | - | 3 | 0 | - | M | O | N | O | A | 1 | 0 | C | 0 | - | A | I | R | G | B | 0 | 0 | R | C | 0 | - | P | 4 | P | 1 | - | P | - | 0 | 6 | G | 0 | 2 | 0 |
| | | | | 1 | | | 2 | | 3 | | 4 | | 5 | | | | 6 | | 7 | | 8 | | 9 | | | | | 10 | | 11 | | 12 | | | | 13 | | 14 | | 15 |

* Please note that only the configuration below are available by default.
 Other configurations on request

| | |
|---|--|
| Dimensions L x B x H [mm] 🔑 1 | Housing material 🔑 10 |
| THS = 30 x 30 x 10.78 | Lexan Resin EXL9330 = P4 |
| Switching type 🔑 2 | Actuator material 🔑 11 |
| Push button = MO | PMMA = P1 |
| Switch function 🔑 3 | Mounting 🔑 12 |
| Normally open = NO | Adhesive = P |
| Rated current 🔑 4 | Detection distance 🔑 13 |
| 100mA = A10 | 6 cm = 06 |
| Terminal switch 🔑 5 | Front panel material 🔑 14 |
| Connector integrated = C0 | Float glass = G0 |
| Illumination type 🔑 6 | Front panel thickness 🔑 15 |
| Area illumination = AI | 2mm = 20 |
| Illumination color 🔑 7 | |
| Multicolor = RGB | |
| Supply voltage illumination 🔑 8 | |
| w/o resistor = 00R | |
| Terminal illumination 🔑 9 | |
| Connector integrated = C0 | |

All Variants

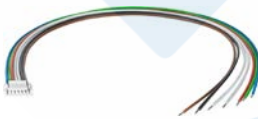
| Designation | Rated current | Illumination | Switching Voltage | Config. Code | Order Number |
|-------------|---------------|-------------------|-------------------|---|--------------|
| THS | 100 mA | Area illumination | 42 VAC / 60 VDC | THS-30-MONOA10C0-AIRGB00RC0-P4P1-P-06G020 | 3-140-093 |

Availability for all products can be searched real-time:<https://www.schurter.com/en/Stock-Check/Stock-Check-SCHURTER>

Packaging unit 10

Accessories

Description



Cable_to_Metal_Line
Cable to MSS, CHS and THS