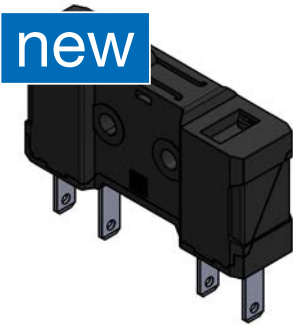


Electro-mechanical direct current switch



See below:
[Approvals and Compliances](#)

Description

- Rated currents to 10 A at 48 VDC
- 2 designs with attachment points for different applications and additional actuator MSM II
- Equipped with quick connect terminals to permit fast connection

Unique Selling Proposition

- No arcing due to electronic circuit
- Extremely long lifespan

Characteristics

- Smallest design

References

Other versions on request

Weblinks

[pdf data sheet](#), [html datasheet](#), [General Product Information](#), [CAD-Drawings](#), [Product News](#), [Detailed request for product](#)

Technical Data

Electrical Data

Supply Voltage LED 5 VDC - 48 VDC, see table of variants

Mechanical Data

Actuating Force 3.0 N

Actuating Travel 1.0 mm

Lifetime 1.5 million actuations

Climatical Data

Operating Temperature -30 to 85 °C

Storage Temperature -40 to 85 °C

Protection Class IP40

Material



Approvals and Compliances

Detailed information on product approvals, code requirements, usage instructions and detailed test conditions can be looked up in [Details about Approvals](#)

SCHURTER products are designed for use in industrial environments. They have approvals from independent testing bodies according to national and international standards. Products with specific characteristics and requirements such as required in the automotive sector according to IATF 16949, medical technology according to ISO 13485 or in the aerospace industry can be offered exclusively with customer-specific, individual agreements by SCHURTER.

Compliances

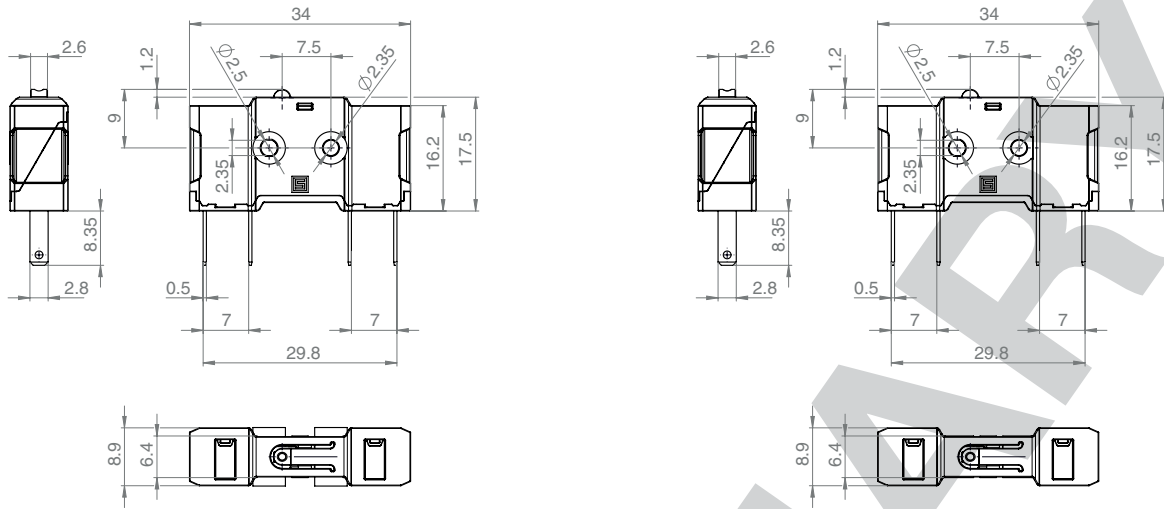
The product complies with following Guide Lines

| Identification | Details | Initiator | Description |
|---|--|-------------|---|
| CE | CE declaration of conformity | SCHURTER AG | The CE marking declares that the product complies with the applicable requirements laid down in the harmonisation of Community legislation on its affixing in accordance with EU Regulation 765/2008. |
| UK CA | UKCA declaration of conformity | SCHURTER AG | The UKCA marking declares that the product complies with the applicable requirements laid down in the British Amendment of Regulation (EC) 765/2008. |
|  | RoHS | SCHURTER AG | Directive RoHS 2011/65/EU, Amendment (EU) 2015/863 |
|  | REACH | SCHURTER AG | On 1 June 2007, Regulation (EC) No 1907/2006 on the Registration, Evaluation, Authorization and Restriction of Chemicals 1 (abbreviated as "REACH") entered into force. |

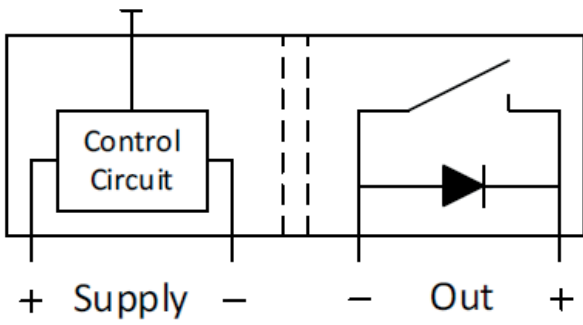


Singel 3 | B-2550 Kontich | Belgium | Tel.+32(0)3 458 30 33
info@alcom.be | www.alcom.be
 Rivium 1e straat 52 | 2909 LE Capelle aan den IJssel | The Netherlands
 Tel.+31(0)10 288 25 00 | info@alcom.nl | www.alcom.nl

Dimension [mm]



Diagrams



Packaging unit

10 pcs.

In box or packed in air cushion bags



Singel 3 | B-2550 Kontich | Belgium | Tel.+32(0)3 458 30 33
 info@alcom.be | www.alcom.be
 Rivium 1e straat 52 | 2909 LE Capelle aan den IJssel | The Netherlands
 Tel.+31(0)10 288 25 00 | info@alcom.nl | www.alcom.nl