

HYBRID TVS COMPONENT



DFN-2-KW

DESCRIPTION

The PHYTVSxxxV3 series is a patent pending hybrid state-of-the-art semiconductor technology intended for AC power transient protection. This series is designed to protect critical industrial and consumer applications, where a reliable overvoltage solution with lower clamping voltage is required. The PHYTVSxxxV3 series technology is an ideal replacement for surface mount Metal Oxide Varistors (MOV), offering a more robust product in a small form factor that does not present a wear-out mechanism that is common with MOVs, thus extending significantly its operation lifetime.

FEATURES

- Compatible with IEC 61000-4-2 (ESD): Level 4 Air ±15kV, Contact ±8kV
- Compatible with IEC 61000-4-4 (EFT): 40A
- Compatible with IEC 61000-4-5 (Surge): L-L Class 2, 250Apk, 8/20µs, 500V with Req = 2 Ohms
- Bidirectional Operation 50/60/400Hz AC Lines
- Very Low Clamping Voltage
- Form Factor Compatible with SMT 3225
- Available for SMT Reflow Soldering
- Low Profile and Space Saving Package
- Operating Temperature -55 to +125°C
- RoHS Compliant
- REACH Compliant

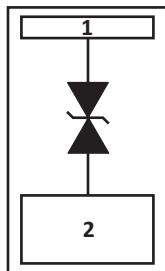
APPLICATIONS

- Power Adapters
- Home Appliances
- Industrial Equipment - Automation Controls
- Instrumentation
- SMART Meters

MECHANICAL CHARACTERISTICS

- Molded DFN-2-KW Package
- Approximate Weight: 2.5 grams
- Lead-Free Tin Matte Plating
- Solder Reflow Temperature: 260-270°C, 10 seconds
- 12mm Tape and Reel Per EIA Standard 481
- Flammability Rating UL 94V-0

PIN CONFIGURATION



TYPICAL DEVICE CHARACTERISTICS
MAXIMUM RATINGS @ 25°C Unless Otherwise Specified

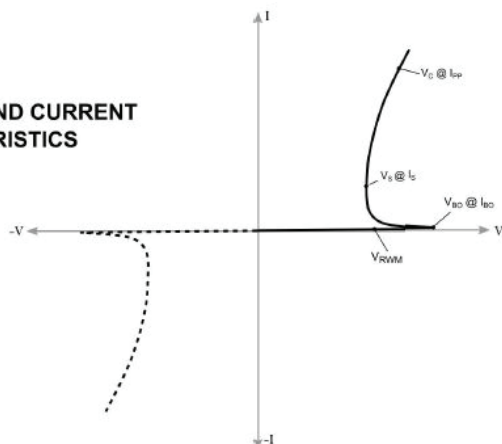
PARAMETER	SYMBOL	VALUE	UNITS
Peak Pulse Current (8/20µs) - per IEC 61000-4-5	I_{PP}	250	A
Storage Temperature	T_{STG}	-55 to 125	°C
Operating Temperature	T_L	-55 to 125	°C
ESD Rating per IEC 61000-4-2 - Contact	-	±30	kV
ESD Rating per IEC 61000-4-2 - Air	-	±30	kV

ELECTRICAL CHARACTERISTICS PER LINE @ 25°C Unless Otherwise Specified

PART NUMBER	MARKING CODE	TYPICAL OPERATING VOLTAGE	MINIMUM REVERSE WORKING VOLTAGE	MAXIMUM REVERSE BREAKOVER VOLTAGE	REVERSE BREAKOVER CURRENT	SWITCHING VOLTAGE	SWITCHING CURRENT
		V_{RMS} VOLTS	V_{RWM} VOLTS	V_{BO} VOLTS	I_{BO} mA	V_S V	I_S mA
PHYTVS125V3	125V3	125	200	220	1.0	110	100.0
PHYTVS250V3	250V3	250	375	420	1.0	200	100.0
PHYTVS277V3	277V3	277	410	440	1.0	220	100.0

ELECTRICAL CHARACTERISTICS PER LINE @ 25°C Unless Otherwise Specified

PART NUMBER	MAXIMUM REVERSE LEAKAGE CURRENT @ V_{RWM} I_R µA	MAXIMUM CLAMPING VOLTAGE V_C VOLTS	MAXIMUM PEAK PULSE CURRENT (8/20µs) I_{PP} A	MAXIMUM OFF-STATE CAPACITANCE @ 1MHz, 0V C_O pF
PHYTVS125V3	10.0	130	250	80.0
PHYTVS250V3	10.0	230	250	80.0
PHYTVS277V3	10.0	250	250	80.0

VOLTAGE AND CURRENT CHARACTERISTICS


TYPICAL DEVICE CHARACTERISTICS

FIGURE 1
PULSE WAVE FORM

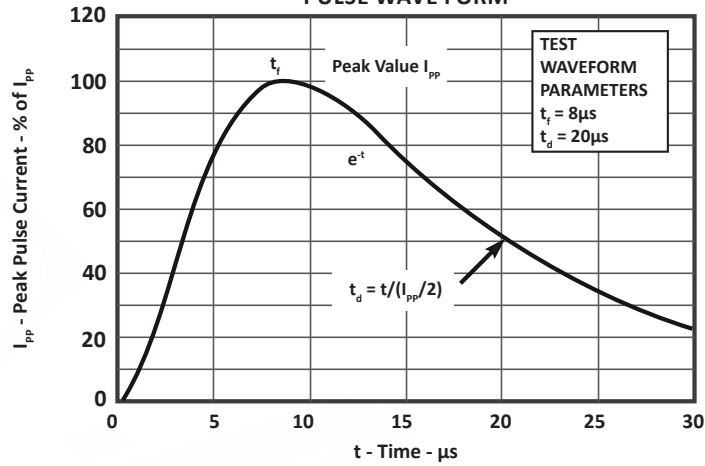
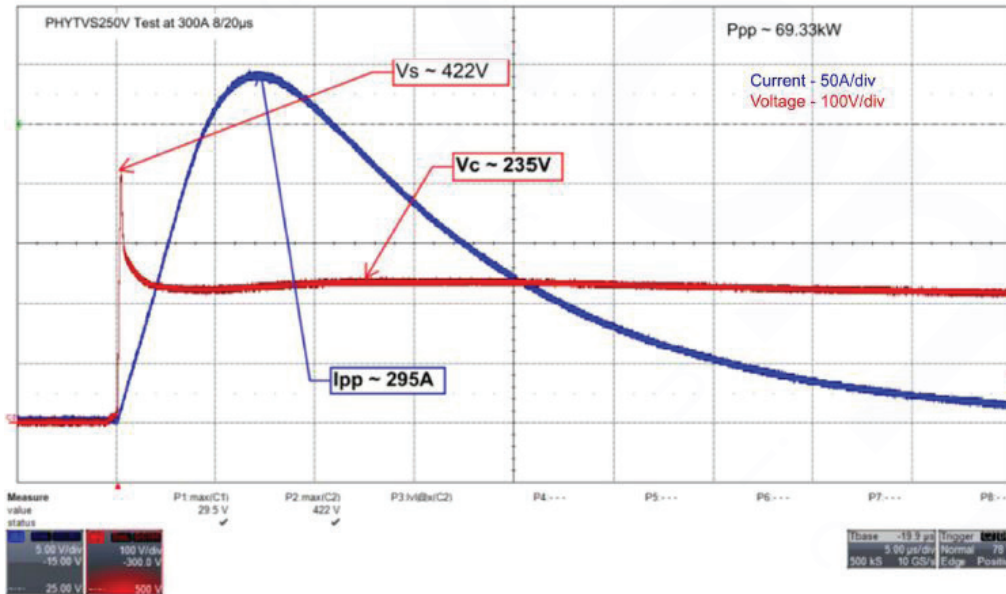


FIGURE 2
DYNAMIC PERFORMANCE EXAMPLE UNDER SURGE PULSE - 8/20μs



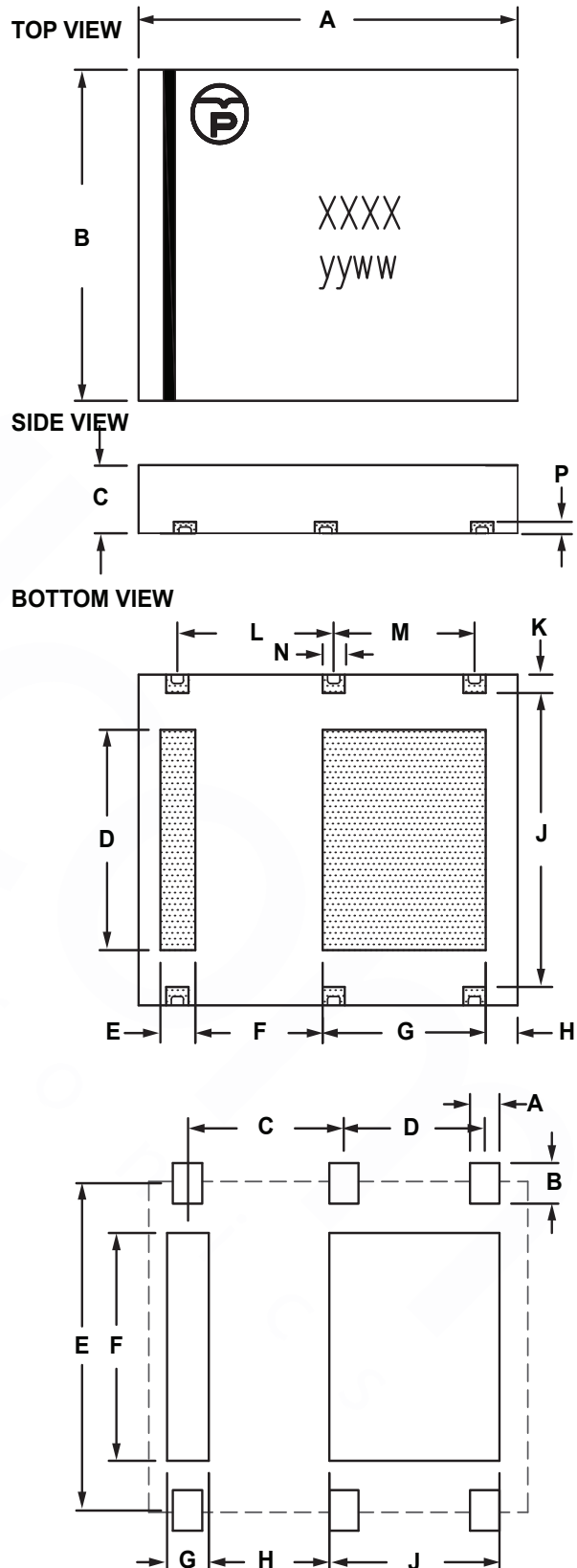
PACKAGE INFORMATION

OUTLINE DIMENSIONS				
DIM	MILLIMETERS		INCHES	
	MIN	MAX	MIN	MAX
A	7.52	7.75	0.296	0.304
B	6.50	6.70	0.256	0.264
C	1.93	2.13	0.076	0.084
D	3.96	4.16	0.156	0.164
E	0.68	0.84	0.027	0.033
F	2.69	2.85	0.106	0.112
G	3.12	3.28	0.123	0.129
H	0.42	0.58	0.017	0.023
J	5.51	5.67	0.217	0.223
K	0.44	0.56	0.018	0.022
L	3.49		0.137	
M	2.54		0.100	
N	0.60	0.70	0.024	0.028
P	0.20	0.30	0.008	0.012

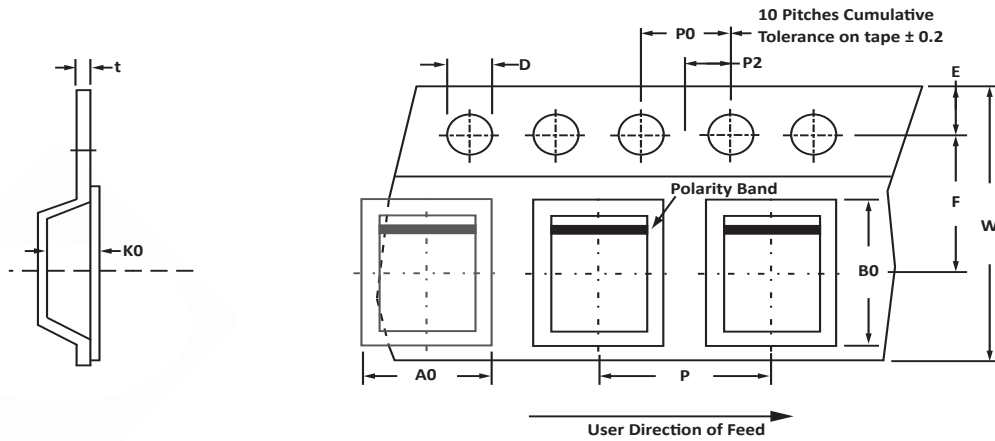
NOTES
1. Dimensions are exclusive of mold flash and metal burrs.

PCB PAD LAYOUT DIMENSIONS				
DIM	MILLIMETERS		INCHES	
	MIN	MAX	MIN	MAX
A	0.80	0.95	0.032	0.038
B	1.07	1.22	0.042	0.048
C	3.49		0.137	
D	2.54		0.100	
E	6.54		0.258	
F	4.22	4.32	0.165	0.171
G	0.92	1.02	0.036	0.040
H	2.52	2.62	0.098	0.104
J	3.36	3.46	0.130	0.138

NOTES
1. Suggested solder print uses some dimensions as PCB pad layout.



TAPE AND REEL



SPECIFICATIONS

REEL DIA.	TAPE WIDTH	A0	B0	K0	D	E	F	W	P0	P2	P	tmax
330mm (13")	16mm	6.8 ± 0.10	7.8 ± 0.10	2.16 ± 0.10	1.50 ± 0.10	1.75 ± 0.10	3.50 ± 0.05	16.00 ± 0.30	4.00 ± 0.10	2.00 ± 0.05	8.00 ± 0.10	0.25

NOTES

- Dimensions are in millimeters.
- Surface mount product is taped and reeled in accordance with EIA-481.
- Suffix - T13 = 13" Reel - 2,500 pieces per 16mm tape.
- Marking on Part - marking code (see page 2), date code, logo and polarity band (Unidirectional only).

ORDERING INFORMATION

BASE PART NUMBER (XXX=VOLTAGE)	LEADFREE SUFFIX	TAPE SUFFIX	QTY/REEL	REEL SIZE	TUBE QTY
PHYTVSxxxV3	n/a	-T13	2500	13"	n/a

This device is only available in a Lead-Free configuration.

COMPANY INFORMATION**RTCA DO-160G COMPLIANT PRODUCT****COMPANY PROFILE**

In business more than 20 years, ProTek Devices™ is a privately held semiconductor company. The company offers a product line of overvoltage protection and overcurrent protection components. These include transient voltage suppressor array (TVS arrays) avalanche breakdown diode, steering diode TVS array and electronics SMD chip fuses. These components deliver circuit protection in electronic systems from numerous overvoltage and overcurrent events. They include lightning; electrostatic discharge (ESD); nuclear electromagnetic pulses (NEMP); inductive switching; and electromagnetic interference (EMI) / radio frequency interference (RFI). ProTek Devices also offers LED wafer die for ESD protection and related high frequency products.

CONTACT US**Corporate Headquarters**

2929 South Fair Lane
Tempe, Arizona 85282
USA

By Telephone

General: 602-431-8101
Sales: & Marketing: 602-414-5109
Customer Service: 602-414-5114
Product Technical Support: 602-414-5107

By Fax

General: 602-431-2288

By E-mail:

Asia Sales: asiasales@protekdevices.com
Europe Sales: europesales@protekdevices.com
U.S. Sales: ussales@protekdevices.com
Distributor Sales: distysales@protekdevices.com
Customer Service: service@protekdevices.com
Technical Support: support@protekdevices.com

ProTek Devices (Asia Pacific) Pte. Ltd.

8 Ubi Road 2, #06-19
Zervex
Singapore - 408538
Tel: +65-67488312
Fax: +65-67488313

Web

www.protekdevices.com

COPYRIGHT © ProTek Devices 2020 - This literature is subject to all applicable copyright laws and is not for resale in any manner.

SPECIFICATIONS: ProTek reserves the right to change the electrical and or mechanical characteristics described herein without notice.

DESIGN CHANGES: ProTek reserves the right to discontinue product lines without notice and that the final judgement concerning selection and specifications is the buyer's and that in furnishing engineering and technical assistance. ProTek assumes no responsibility with respect to the selection or specifications of such products. ProTek makes no warranty, representation or guarantee regarding the suitability of its products for any particular purpose, nor does ProTek assume any liability arising out of the application or use of any product or circuit and specifically disclaims any and all liability without limitation special,