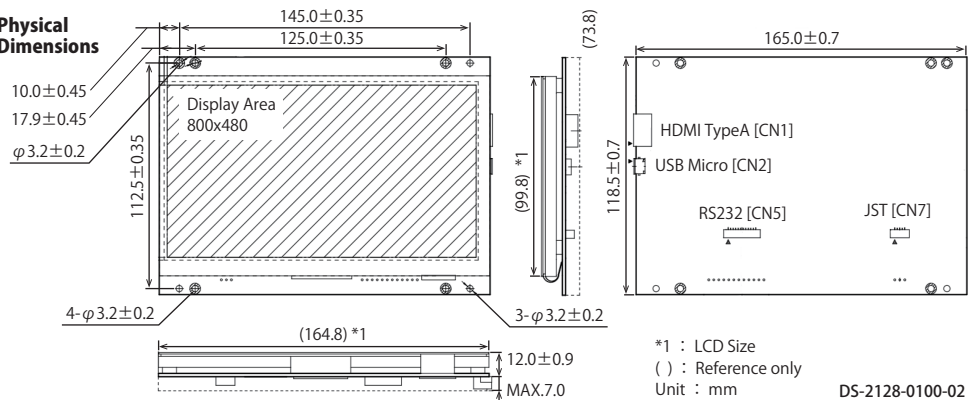


GTWV070VHB01P **SIMPLIFIED DATASHEET**

◆ Features

- This is the part number of the RS-232 interface specification.

◆ Physical Dimensions



Specifications

◆ Basic Specification

Item	Content	
Display	Type	TFT-LCD
	Size	7.0 inches (display area: 154.08 x 85.92 [mm])
	Number of pixels	800 × RGB × 480
	Pixel pitch	0.1926 × 0.1790 [mm]
	Colors	16.7M (24-bit color)
	Recommended viewing direction	12 o' clock
	Gray scale inversion direction	6 o' clock
	Brightness	Min. 500 cd/m ² (nit), Typ. 850 cd/m ² (nit) *1
	Display signal interface	DVI (HDMI connector Type A)
Touch Panel	Type	Metallized projective capacitive touch
	Touch active area	156.64 x 89.05 [mm]
	Number of touches	Max. 10 points
Control	Interface	USB (HID compliance, full speed 12Mbps.) *2, RS232 *2
	Display commands	Backlight (display brightness) adjustment
	Touch commands	Touch sensitivity adjustment, touch mode selection, touch data send, etc.
	Other commands	Memory switch setting, initialize, etc.

*1 : 100% brightness/White screen at the center of display (Factory status)
*2 : Touch data acquisition by commands

◆ Electrical Specifications

Parameter	Symbol	Min.	Typ.	Max.	Unit	Condition
Power	Power supply voltage	VCC	4.75	5.0	5.25	VDC
RS232 I/F	RS232 input voltage RXD	VsIH1	3.0	—	15.0	VDC
		VsIL1	-15.0	—	-3.0	VDC
RESET	Logic input voltage /RESET	VIL4	—	—	0.3	VDC
GPIO Common	Logic input voltage GPIO	VIIH	2.4	—	3.3	VDC
		VIIL	0	—	0.8	VDC
RS232	output voltage TXD	VsOH1	5.0	—	—	VDC
		VsOL1	—	—	-5.0	VDC
Power supply	Power supply current	ICC-1	—	640	830	mADC
		ICC-2	—	380	—	mADC
		ICC-3	—	50	70	mADC
		ICC-4	—	20	30	mADC
	Power consumption	P-1	—	3.20	4.15	W
		P-2	—	1.90	—	W
		P-3	—	0.25	0.35	W
		P-4	—	0.10	0.15	W

Measuring conditions :

ambient temperature=25°C, VCC=5.0VDC, TMDS clock frequency=33MHz, refresh rate=60Hz
*3 : All black display *4 : All white display *5 : Touch interface: valid *6 : Power down mode

◆ Environmental / Physical Specifications

Parameter	Content
Operating Temperature	-20 to +70°C (Storage temperature is -30 to +80°C)
Operating Humidity (No condensation)	Temp. ≤ 60°C, 80% RH MAX. TEmp. > 60°C, absolute humidity shall be less than 80% RH at 60°C (Same for Storage Humidity)
Vibration (non-operating)	10-55-10Hz, all amplitude 1mm, 30 minutes, X-Y-Z
Shock (non-operating)	392m/s ² (40G) 9ms X-Y-Z, 3 times each direction
Weight	Approximately 262g

◆ Connectors

DVI [CN1] HDMI connector Type A

Pin	Terminal	Content	Terminal	Content
1	TMDS Data2+	Data lane	2	TMDS Data2 Shield
3	TMDS Data2-		4	TMDS Data1+
5	TMDS Data1 Shield	Shield	6	TMDS Data1-
7	TMDS Data0+	Data lane	8	TMDS Data0 Shield
9	TMDS Data0-		10	TMDS Clock+
11	TMDS Clock Shield	Shield	12	TMDS Clock-
13	CEC	No connection	14	Utility
15	DDC/SCL	DDC clock	16	DDC/SDA
17	DDC/CEC ground	Ground	18	+5V Power
19	Hot Plug Detect	+5V		

USB [CN2] Micro USB

Pin	Terminal	Content
1	VBUS	VBUS
2	D-	Data-
3	D+	Data +
4	ID	NC
5	GND	Ground

RS232 [CN5] JST SM12GB-GHS

Pin	Terminal	Content
1	IC	Internal connection
2	GPIO	For power saving mode wakeup (GPIO is input only)
3	IC	Internal connection
4		
5		
6		
7		
8	/RESET	Reset input
9	NC	Noconnection
10	GND	Ground
11	TXD	RS232 send
12	RXD	RS232 receive

Power Connector [CN7] JST

Pin	Terminal	Content
1	VCC	+5V
2	GND	Ground
3	VCC	+5V
4	GND	Ground
5	NC	No connection