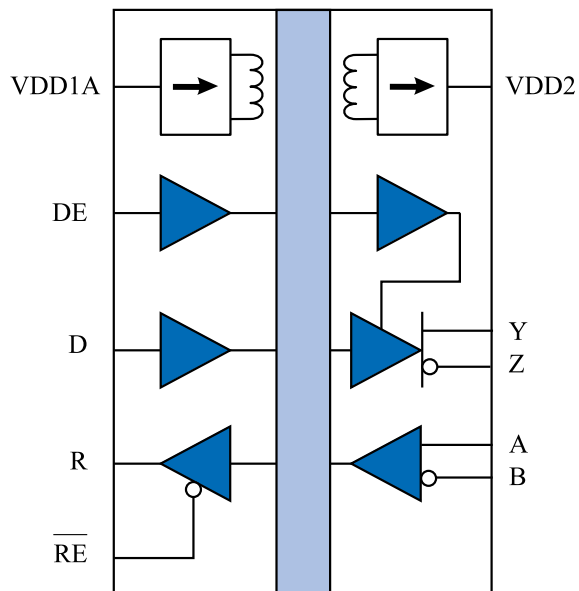
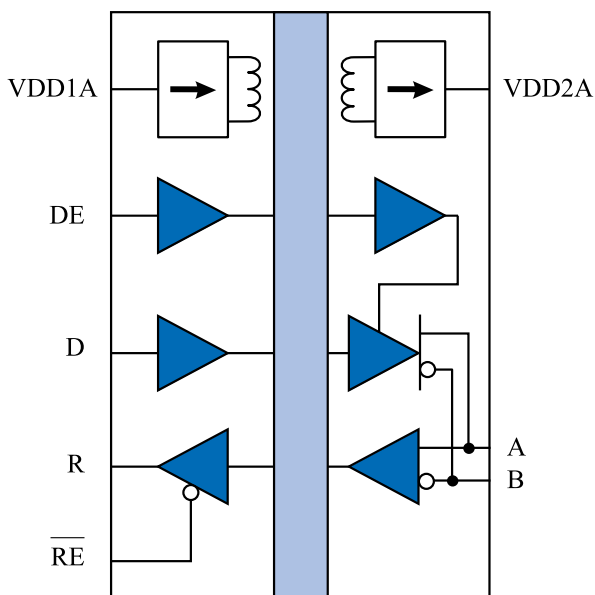


High-Speed Isolated 3.3 V Bus RS-422 / RS-485 Transceivers with Integrated DC-DC Convertors

Block Diagrams



IL4622



IL4685

Features

- 40 Mbps transceiver
- Integrated ¼ watt, 3.3-to-3.3 V DC-DC convertor
- 3.3 V bus
- 1/5 Unit Load; 160 node fanout
- 2500 V_{RMS} isolation voltage
- Up to 16.5 kV bus ESD protection
- Full failsafe
- Overcurrent protection
- Thermal shutdown protection
- -40 °C to 85 °C temperature range
- Low EMI without ferrite beads
- UL1577 listed; VDE V 0884-11 pending
- 0.3" True 8TM mm 16-pin SOIC package

Applications

- Transportation systems
- Factory automation
- Industrial control networks
- Building environmental controls

Description

The IL4622E and IL4685E are high-speed, fully-isolated, differential bus transceivers with integrated 3.3-to-3.3 V, one-quarter watt DC-DC convertors to provide a fully-isolated 3.3 V bus supply using the controller (UART) supply. This level of integration dramatically reduces chip count and board area.

The IL4622E has full-duplex connections for RS-422 busses; the IL4685E has a half-duplex transceiver generally used with RS-485.

The devices use NVE's proven, patented* spintronic Giant Magnetoresistance (GMR) isolation technology and IsoLoop[®] high-efficiency micro-scale isolation transformers.

A unique ceramic/polymer composite barrier provides full isolation and virtually unlimited barrier life.

Frequency hopping and shielding minimize EMI.

Current limiting and thermal shutdown features protect against bus short circuits and contention that may cause excessive power dissipation.

Truth Tables

IL4622E Receiver

\overline{RE}	R	$V_{(A-B)}$
H	Z	X
L	H	≥ 200 mV
L	L	≤ -200 mV
L	H	Open

IL4622E Driver

DE	D	$V_{(Y-Z)}$
L	X	Z
H	H	≥ 200 mV
H	L	≤ -200 mV

IL4685E

$V_{ID} (A-B)$	DE	\overline{RE}	R	D	Mode
≥ 200 mV	L	L	H	X	Receive
≤ -200 mV	L	L	L	X	Receive
≥ 1.5 V	H	L	H	H	Drive
≤ -1.5 V	H	L	L	L	Drive
X	X	H	Z	X	Hi-Z R
Open	L	L	H	X	Receive

Absolute Maximum Ratings⁽¹⁾

Parameter	Symbol	Min.	Typ.	Max.	Units	Test Conditions
Storage temperature	T_S	-55		150	°C	
Junction temperature	T_J	-55		150	°C	
Voltage range at A or B bus pins		-7		12	V	
Supply voltage	$V_{DD1A}, V_{DD1B},$ V_{DD2A}, V_{DD2B}	-0.5		6	V	
Digital input voltage		-0.5		$V_{DD} + 0.5$	V	
Digital output voltage		-0.5		$V_{DD} + 1$	V	
ESD (bus nodes)						
IL4685 or IL4622 configured as half-duplex		±16.5			kV	IEC61000-4-2
IL4622 configured as full-duplex		±12				
EFT (bus nodes)		4			kV	IEC61000-4-4 Level 4

Recommended Operating Conditions

Parameter	Symbol	Min.	Typ.	Max.	Units	Test Conditions
DC-DC convertor input voltage	V_{DD1A}	3	3.3	3.6	V	
Transceiver controller-side supply	V_{DD1B}	3	3.3	5.5	V	
Transceiver bus-side supply voltage	V_{DD2B}	3	3.3	3.5	V	
Ambient operating temperature	T_{min}, T_{max}	-40		85	°C	
Junction temperature	T_J	-40		140	°C	
High-level digital input voltage	V_{IH}	2.4		V_{DD1}	V	$V_{DD1} = 3.3$ V
Low-level digital input voltage	V_{IL}	0		0.8	V	
Differential input voltage ⁽²⁾	V_{ID}			+12 / -7	V	
High-level output current (driver)	I_{OH}			60	mA	
High-level digital output current (receiver)	I_{OH}			8	mA	
Low-level output current (driver)	I_{OL}	-60			mA	
Low-level digital output current (receiver)	I_{OL}	-8			mA	
Digital input signal rise and fall times	t_{IR}, t_{IF}					DC Stable

Safety and Approvals

VDE V 0884-11 / IEC 60747-17 (Basic Isolation; pending under VDE File Number 5016933-4880-0001)

- Isolation voltage (V_{ISO}): 2500 V_{RMS}
- Transient overvoltage (V_{IOTM}): 4000 V_{PK}
- Surge rating: 4000 V
- Each part tested at 1590 V_{PK} for 1 second, 5 pC partial discharge limit.
- Samples tested at 4000 V_{PK} for 60 sec.; then 1358 V_{PK} for 10 sec. with 5 pC partial discharge limit.
- Working Voltage (V_{IORM} ; pollution degree 2): 1000 V_{RMS}

Safety-Limiting Values	Symbol	Value	Units
Safety rating ambient temperature	T_S	180	°C
Safety rating power (180 °C)	P_S	270	mW
Supply current safety rating (total of supplies)	I_S	54	mA

UL 1577 (Component Recognition Program File Number E207481)

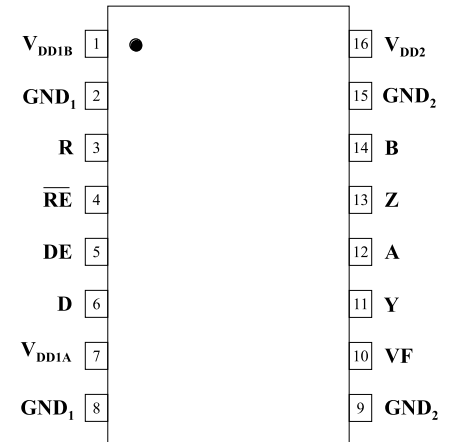
- 2500 V rating
- Each part tested at 3000 V_{RMS} (4243 V_{PK}) for 1 second
- Each lot sample tested at 2500 V_{RMS} (3536 V_{PK}) for 1 minute

Soldering Profile

Per JEDEC J-STD-020C, MSL 1

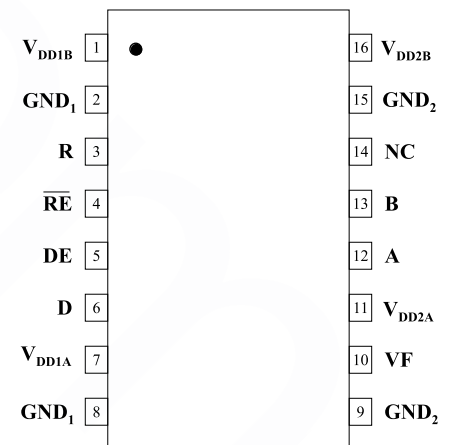
IL4622E Pin Connections

1	VDD1B	Transceiver controller-side power supply input (3.3 V nominal).
2	GND ₁	Input power supply ground (pin 2 is internally connected to pin 8).
3	R	Output data from bus.
4	\overline{RE}	Read data enable. If \overline{RE} is high, R = high impedance; has a 500 k Ω nominal internal pulldown.
5	DE	Drive enable (has a 1 M Ω nominal internal pulldown).
6	D	Data input to bus.
7	VDD1A	DC-DC convertor input voltage (3.3 V nominal); bypass with 0.1 μ F.
8	GND ₁	Input power supply ground (pin 8 is internally connected to pin 2).
9	GND ₂	Output power supply ground (pin 9 is internally connected to pin 15).
10	VF	Output-side rectifier output / regulator input; connect to a 0.1 μ F/16 V external filter capacitor.
11	Y	Non-inverting bus driver.
12	A	Non-inverting bus receiver.
13	Z	Inverting bus driver.
14	B	Inverting bus receiver.
15	GND ₂	Output power supply ground (pin 15 is internally connected to pin 9).
16	VDD2	DC-DC convertor output (3.3 V typical); internally powers transceiver functions. Bypass with 10 μ F ceramic.



IL4685E Pin Connections

1	VDD1B	Transceiver controller-side power supply input (3.3 V nominal).
2	GND ₁	Input power supply ground (pin 2 is internally connected to pin 8).
3	R	Output data from bus.
4	\overline{RE}	Read data enable (if \overline{RE} is high, R = high impedance).
5	DE	Drive enable (has a 1 M Ω nominal internal pulldown).
6	D	Data input to bus.
7	VDD1A	DC-DC convertor input voltage (3.3 V nominal); bypass with 0.1 μ F.
8	GND ₁	Input power supply ground (pin 8 is internally connected to pin 2).
9	GND ₂	Output power supply ground (pin 9 is internally connected to pin 15).
10	VF	Output-side rectifier output / regulator input; connect to a 0.1 μ F/16 V external filter capacitor.
11	VDD2A	DC-DC convertor output (3.3 V typical); bypass with 10 μ F ceramic.
12	A	Non-inverting bus line.
13	B	Inverting bus line.
14	NC	No internal connection.
15	GND ₂	Output power supply ground (pin 15 is internally connected to pin 9).
16	VDD2B	Transceiver power supply input (connect to pin 11 to use DC-DC convertor).



Transceiver Bus Driver

T _{min} to T _{max} and V _{DD2B} = 3.1 V to 3.5 V unless otherwise stated						
Parameter	Symbol	Min.	Typ. ⁽⁵⁾	Max.	Units	Test Conditions
Output voltage	V _O			V _{DD}	V	I _O = 0
Differential output voltage	V _{OD1}			V _{DD}	V	I _O = 0
Differential output voltage	V _{OD2}	2.1	3	3.5	V	R _L = 60 Ω
Differential output voltage	V _{OD3}	1.9		3.5	V	R _L = 54 Ω
Change in magnitude of differential output voltage ⁽³⁾	Δ V _{OD}			±0.2	V	R _L = 54 Ω or 100 Ω
Common mode output voltage	V _{OC}			3	V	R _L = 54 Ω or 100 Ω
Change in magnitude of common mode output voltage ⁽³⁾	Δ V _{OC}			±0.2	V	R _L = 54 Ω or 100 Ω
High level input current	I _{IH}			10	μA	V _I = 3.5 V
Low level input current	I _{IL}			-10	μA	V _I = 0.4 V
Absolute lshort-circuit output currentl	I _{OS}			250	mA	-7 V < V _O < 12 V

Transceiver Bus Receiver

T _{min} to T _{max} and V _{DD2B} = 3.1 V to 3.5 V unless otherwise stated						
Parameter	Symbol	Min.	Typ. ⁽⁵⁾	Max.	Units	Test Conditions
Positive-going input threshold voltage	V _{IT+}			0.2	V	-7 V < V _{CM} < 12 V
Negative-going input threshold voltage	V _{IT-}	-0.2			V	-7 V < V _{CM} < 12 V
Input hysteresis voltage	(V _{IT+} - V _{IT-})		28		mV	V _{CM} = 0 V, T = 25°C
Differential bus input capacitance	C _D		9	12	pF	
High-level output voltage	V _{OH}	V _{DD} - 0.2	V _{DD}		V	V _{ID} = 200 mV I _{OH} = -20 μA
Low-level output voltage	V _{OL}			0.2	V	V _{ID} = -200 mV I _{OH} = 20 μA
High-impedance-state bus output current	I _{OZ}			±1	μA	V _O = 0.4 to (V _{DD2} -0.5) V
Bus line input current	I _I			220	μA	V _I = 12 V
				-160	μA	V _I = -7 V
Bus line input resistance	R _I	60	80		kΩ	

Transceiver Switching Specifications

T _{min} to T _{max} ; V _{DD1B} = 3 V to 3.45 V; V _{DD2B} = 3.1 V to 3.5 V						
Parameter	Symbol	Min.	Typ. ⁽⁵⁾	Max.	Units	Test Conditions
Data rate		40			Mbps	R _L = 54 Ω, C _L = 50 pF
Propagation delay ⁽⁴⁾	t _{PD}		25	35	ns	V _O = -1.5 to 1.5 V, C _L = 15 pF
Pulse skew ⁽⁵⁾	t _{SK(P)}		2	5	ns	V _O = -1.5 to 1.5 V, C _L = 15 pF
Skew limit ⁽⁶⁾	t _{SK(LIM)}		4	10	ns	R _L = 54 Ω, C _L = 50 pF
Output enable time to high level	t _{PZH}		17	30	ns	C _L = 15 pF
Output enable time to low level	t _{PZL}		17	30	ns	C _L = 15 pF
Output disable time from high level	t _{PHZ}		17	30	ns	C _L = 15 pF
Output Disable Time From Low Level	t _{PLZ}		17	30	ns	C _L = 15 pF
Common mode transient immunity (output logic high to logic low)	CM _H , CM _L	30	50		kV/μs	V _{CM} = 1500 V _{DC} t _{TRANSIENT} = 25 ns

Transceiver Section Power Consumption

T _{min} to T _{max} ; V _{DD1B} = 3 V to 3.45 V; V _{DD2B} = 3.1 V to 3.5 V unless otherwise specified						
Parameter	Symbol	Min.	Typ. ⁽⁵⁾	Max.	Units	Test Conditions
Controller-side Quiescent supply	V _{DD1B} = 3.3 V V _{DD2B} = 5 V I _{DD1B}		1 1.7	2 4	mA	No load (R _T = ∞); Outputs Enabled; f _{IN} = 0 Hz
Bus-side quiescent supply current	I _{DD2B}		4	6		
Controller-side dynamic supply current	I _{DD1B}		0.18		mA/Mbps	R _T = ∞ R _T = 60 Ω R _T = ∞; f _{IN} = 0 Hz
Bus-side dynamic supply current	I _{DD2B}		0.75			
			0.55			
Transceiver power dissipation	I _{DD1B} × V _{DD1B} + I _{DD2B} × V _{DD2B}		17 150		mW	R _T = 60Ω; f _{IN} = 40 Mbps; excludes R _T power dissipation

Transceiver Field Immunity⁽⁷⁾

V _{DD1B} = 3.3 V, V _{DD2B} = 3.3 V						
Parameter	Symbol	Min.	Typ.	Max.	Units	Test Conditions
Power frequency magnetic immunity	H _{PF}		1500		A/m	50 Hz / 60 Hz
Pulse magnetic field immunity	H _{PM}		2000		A/m	t _p = 8 μs
Damped oscillatory magnetic field	H _{OSC}		2000		A/m	0.1 Hz – 1 MHz
Cross-axis immunity multiplier ⁽⁸⁾	K _X		2.5			

DC-DC Convertor

T _{min} to T _{max} and V _{DD1A} = 3.0 V to 3.6 V unless otherwise stated						
Parameter	Symbol	Min.	Typ.	Max.	Units	Test Conditions
Output voltage	V _{DD2A}	3	3.3	3.45	V	T _{min} to T _{max} ; I _{DD2A} < 65 mA
Output current (total available to internal transceiver and external load)	I _{DD2A}	65			mA	T _J < 85 °C
		80				
Short-circuit protection limited current		115	125	135	mA	
Input quiescent supply current	I _{DD1AQ}		200	240	mA	I _{DD2A} = 0
Input supply current	I _{DD1A}		380	440	mA	I _{DD2A} = 80 mA
Line regulation	ΔV _{DD2A} /ΔV _{DD1A}		32	40	mV/V	25 °C
			16			125 °C
Load regulation	ΔV _{DD2A} /V _{DD2A}		5	6	%	I _{DD2A} = 0 to max.
Output voltage temperature coefficient	(ΔV _{DD2A} /V _{DD2A})/ΔT		0.017		% / °C	I _{DD2} = 10 mA
			0.03			I _{DD2} = 50 mA
Capacitive load	C _{DD2A}			1000	μF	
Output voltage ripple	V _{DD2BRIPPLE}			5	mV _{P-P}	20 MHz bandwidth; I _{DD2A} = max.
			1			1 kHz bandwidth; I _{DD2A} = max.
Start-up current	I _{DD1-SU}		600	750	mA	700 ns max.
Start-up time	t _{SU}		200		μs	No load
			400			Full load (resistive)
Convertor frequency	f _{OSC}	105	113	120	MHz	

Shutdown Specifications

Parameter	Symbol	Min.	Typ.	Max.	Units	Test Conditions
DC-DC convertor Overcurrent threshold	I_{DD2A}		120		mA	
Brownout threshold voltage	V_{DD2B}		2.5		V	Power-up
			2.3			Power-down
Bus driver shutdown temperature	T_J		140		°C	Junction Temperature
Bus driver re-enable temperature			135			

Isolation Specifications

Parameter	Symbol	Min.	Typ.	Max.	Units	Test Conditions
Creepage distance (external)		8.03	8.3		mm	Per IEC 60601
Total barrier thickness (internal)		0.013	0.016		mm	
Barrier resistance	R_{IO}		$>10^{14}$		Ω	500 V_{RMS}
Barrier capacitance	C_{IO}		7		pF	f = 1 MHz
Leakage current			0.2		μA_{RMS}	240 V_{RMS} , 60 Hz
Comparative tracking index	CTI	≥ 600			V_{RMS}	Per IEC 60112
Barrier life			44000		Years	100°C, 1000 V_{RMS} , 60% CL activation energy

Thermal Characteristics

Parameter	Symbol	Min.	Typ.	Max.	Units	Test Conditions
Junction–ambient thermal resistance	θ_{JA}		67		°C/W	Double-sided PCB with thermal vias in free air
Junction–case (top) thermal resistance	θ_{JC}		12			
Junction–ambient thermal resistance	θ_{JA}		46			2s2p PCB with thermal vias per JESD51 with thermal vias in free air
Junction–case (top) thermal resistance	θ_{JC}		9			
Power dissipation	P_D			1.5	W	

Notes:

1. Absolute Maximum specifications mean the device will not be damaged if operated under these conditions. It does not guarantee performance.
2. Differential input/output voltage is measured at the noninverting terminal A with respect to the inverting terminal B.
3. $|\Delta V_{OD}|$ and $|\Delta V_{OC}|$ are the changes in magnitude of V_{OD} and V_{OC} , respectively, that occur when the input is changed from one logic state to the other.
4. Includes 10 ns read enable time. Maximum propagation delay is 25 ns after read assertion.
5. Pulse skew is defined as $|t_{PLH} - t_{PHL}|$ of each channel.
6. Skew limit is the maximum propagation delay difference between any two devices at 25°C.
7. The relevant test and measurement methods are given in the “High Magnetic Immunity” section on p. 11.
8. External magnetic field immunity is improved by this factor if the field direction is “end-to-end” rather than to “pin-to-pin” (see diagram on p. 13).

Device Operation

The IL4685 / IL4622 detailed block diagram is shown below. The major elements are a DC-DC convertor, an RS-485 / RS-422 transceiver, and GMR isolation:

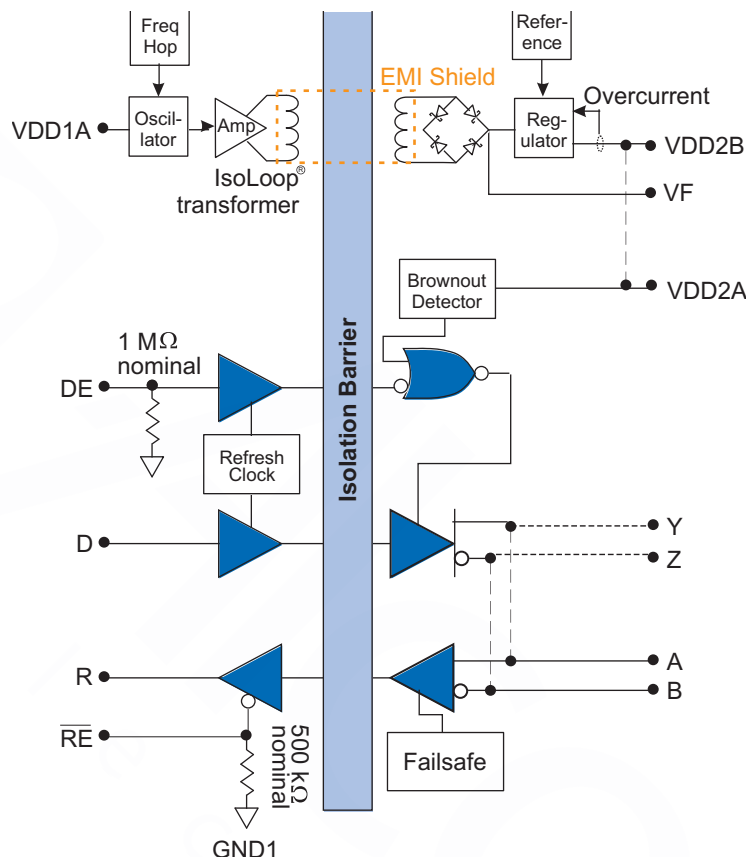


Figure 1. IL4685 / IL4622 detailed block diagram.

DC-DC Convertor Operation

A 113 MHz oscillator drives a high-frequency power amplifier, which in turn drives an IsoLoop[®] microtransformer primary. Frequency hopping reduces EMI peak amplitudes, and embedded magnetic shielding further reduces radiated EMI.

A unique ceramic/polymer composite barrier provides full 2.5 kV isolation with virtually unlimited barrier life.

On the other side of the isolation barrier, the transformer secondary output is filtered, rectified, and regulated by a low-EMI low drop-out regulator with a precision bandgap voltage reference.

Simple Capacitive Decoupling

The only external parts required are a 0.1 μF capacitor placed as close as possible to the VDD1B supply pin, a 10 μF ceramic capacitor for the VDD2 or VDD2B pin, and a 0.1 $\mu\text{F}/16\text{ V}$ filter capacitor near the V_F pin. This low external parts count reduces board area and cost.

Start-Up Current

The input power supply to the DC-DC convertor must be able to supply a start-up surge current of 750 mA for at least 700 ns for the DC-DC convertor to start up properly. If the input current is supplied by a regulator, a one-amp regulator provides adequate current.

Short-Circuit Protection

The DC-DC convertor output will shut down at a current of approximately 120 mA. Short-circuit protection automatically resets and the output recovers when the fault is removed.

Transceiver Operation

Receiver Features

The receiver output “R” has tri-state capability via the active low \overline{RE} input.

Driver Features

The driver features low propagation delay skew to maximize bit width and minimize EMI. Drivers have tri-state capability via the active-high DE input.

True 3.3-volt Bus Operation

IL46xx parts are guaranteed to provide the minimum RS-485 / RS-422 differential voltages with a 3.0-volt bus supply, providing true 3.3-volt bus operation with ample design margins.

Deterministic Power Up and Brownout Detection

IL46xx parts have circuitry to disable the transceiver bus until the driver-side voltage (VDD2B, normally provided by the DC-DC convertor) reaches approximately 2.5 volts on power-up. The transceiver is disabled when the voltage drops below approximately 2.3 volts on power-down. This brownout circuitry ensures the transceiver does not “crash” the bus on power up, power down, or brownout, and eliminates the need for external power supply monitors. In addition, a patented refresh circuit maintains the correct transceiver output state with respect to data input (DC correctness). The refresh circuit ensures the bus outputs will follow the Function Table shown on Page 1 after power up.

Hot Plug Operation

Deterministic power-up allows IL46xx nodes to “hot plug” into the bus, since the bus driver will be in a high-impedance state until the DC-DC convertor output is enough for the bus driver to operate.

Unpowered Nodes

The bus driver reverts to high impedance when VDD2 is not present, so that unpowered nodes do not disturb bus operation.

Full Fail-Safe

The receiver is full fail-safe, meaning it guarantees a forced logic high state on “R” if the “A” and “B” bus inputs are unconnected, shorted together, or connected to a terminated bus with all the transmitters disabled (terminated/undriven).

Thermal Shutdown

Internal DC-DC convertor thermal management circuitry gradually limits the output voltage and power output to approximately 250 mW as the junction temperature increases to avoid thermal overload (see Figure 10).

In addition, the bus driver is disabled when the driver die temperature exceeds approximately 150 °C, and re-enabled when the die temperature drops below approximately 135°C. The receiver and DC-DC convertor sections continue to operate during thermal shutdown.

Internal Connections

Ground Connections

There are two pins for each ground connection: pin 2 is internally connected to pin 8 and pin 15 is internally connected to pin 9.

Power Connections

The controller-side DC-DC convertor and transceiver functions have separate power connections, VDD1A and VDD1B respectively, which should be connected externally for normal operation. The bus-side DC-DC convertor and transceiver functions have separate power connections (VDD2A and VDD2B) in the IL4685. The bus-side DC-DC convertor and transceiver functions are internally connected in the IL4622.

Bus Connections

The IL4685 has a half-duplex transceiver generally used with RS-485. Bus input “A” is internally connected to “Y” and “B” connected to “Z.” The IL4622 has full-duplex connections for RS-422 busses. For a half duplex RS-485 network with the IL4622, “A” can be externally connected to “Y,” and “B” connected to “Z.”

GMR Isolator Operation

An equivalent circuit for each of the Giant Magnetoresistor (GMR) isolator channels is shown in Figure 2:

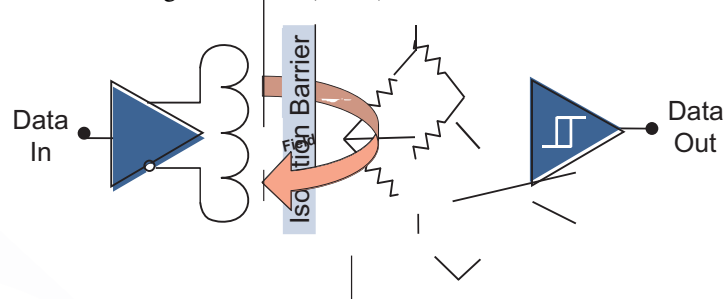


Figure 2. Isolator model signal path.

The GMR isolator signal path starts with a buffered input signal that is driven through an ultraminiature coil. This generates a small magnetic field that changes the electron spin polarization of GMR resistors, which are configured as a Wheatstone bridge. The change in spin polarization of the resistors creates a bridge voltage which drives an output comparator to construct an isolated version of the input signal. GMR is inherently high speed and low distortion.

High Magnetic Immunity

GMR provides large signals which improve magnetic immunity, and the Wheatstone bridge configuration cancels ambient common-mode magnetic fields, further enhancing immunity to external magnetic fields.

Thermal Management

An IL46xx transceiver node can be operated at worst-case loading, data rate, and ambient temperature without exceeding the maximum DC-DC convertor output current, maximum die temperature or package power rating. As shown in Figure 18, worst-case power consumption for a node such as that shown in Figure 20 is less than 1.2 watts. Junction-to-ambient thermal resistance is 46 °C/W with a 2s2p circuit board, so the temperature rise is 55 °C and the die temperature is within the 140 °C maximum at the 85 °C maximum ambient.

If additional nodes are powered by the DC-DC convertor or additional power is needed from the DC-DC convertor, however, care should be taken to ensure the die temperature does not exceed its 140 °C maximum operating temperature, and that the total power dissipation does not exceed the 1.5 watt package maximum. The following sections summarize some thermal management considerations in these situations.

Board Layout

If possible, use a double sided, double buried power plane (“2s2p”) board to maximize thermal performance. Thermal vias should be used between the power plane and the board surfaces. All four IC ground pins should be connected, with wide traces to help cool the leadframe.

Use Low-Power, Fractional-Load Transceivers

Transceivers such as the NVE IL3685P are fractional load to minimize the drive current required by transmitting nodes and, if powered by the IL46xx, uses less bus power than other transceivers.

Avoid Termination Resistors with Shorter Bus Cables

Termination resistors minimize reflections, which can be important for long cable lengths. However, these resistors significantly increase output drive current and may not be necessary with short bus cables.

Full Duplex Uses Less Power

Full-duplex RS-422 buses have only one transmitter per bus and therefore only need one termination resistor, typically 120 Ω. Half-duplex RS-485 networks with long cables, however, are generally terminated on both ends because either end can receive data. This doubles the power dissipated in the termination resistors.

No External “Fail-Safe” Resistors

The transceivers are designed to be “full fail-safe,” so “fail-safe” pull-up and pull-down bias resistors are generally unnecessary, and use power.

Minimize Data Rate

The transceiver draws more power at higher frequency, so the data rate should not be higher than necessary to minimize transceiver power.

Limit Transmission Time

The transceivers use less power receiving than transmitting, and much less if there are termination resistors. Average power dissipation can be reduced considerably by disabling the driver (DE = LOW) when not transmitting data.

Maintaining Creepage

Creepage distances are often critical in isolated circuits. In addition to meeting JEDEC standards, NVE isolator packages have unique creepage specifications. Standard pad libraries often extend under the package, compromising creepage and clearance. Similarly, ground planes, if used, should be spaced to avoid compromising clearance. Package drawings and recommended pad layouts are included in this datasheet.

Inherently Low EMI

IL46xx parts designed for compliance with IEC 61000-6-3, IEC 61000-6-4, CISPR, and FCC Class A standards for emissions.

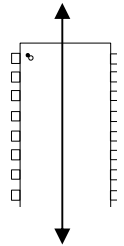
The DC-DC convertor oscillator operates above 88 MHz, where emission limits are higher since there is less risk of interference with common commercial radio and television broadcasting.

Frequency-hopping technology dramatically reduces peak EMI, and synchronous rectification and PWM control are avoided, resulting in inherently low EMI. Ferrite beads are generally not required for EMI mitigation.

High Magnetic Immunity

These parts are fully compliant with IEC 61000-6-1 and IEC 61000-6-2 magnetic immunity standards.

The IsoLoop Isolator’s Wheatstone bridge configuration and differential magnetic field signaling ensure excellent EM immunity. Immunity to external magnetic fields is even higher if the field direction is “end-to-end” (rather than to “pin-to-pin”) as shown at right.



Typical Performance Graphs

The following graphs show typical performance:

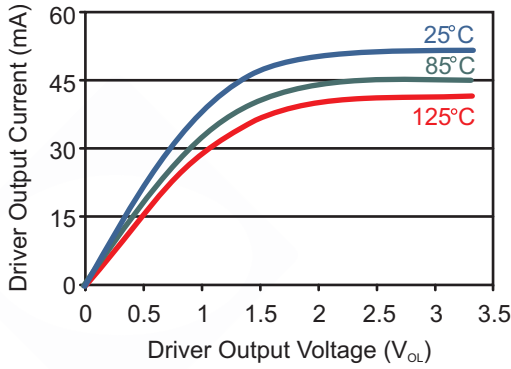


Figure 3. Typ. driver output current vs. driver output voltage (V_{OL}).

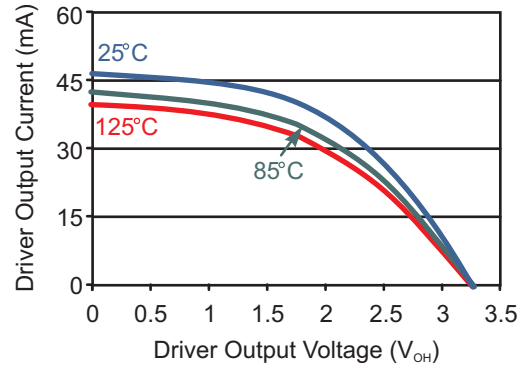


Figure 4. Typ. driver output current vs. driver output voltage (V_{OH}).

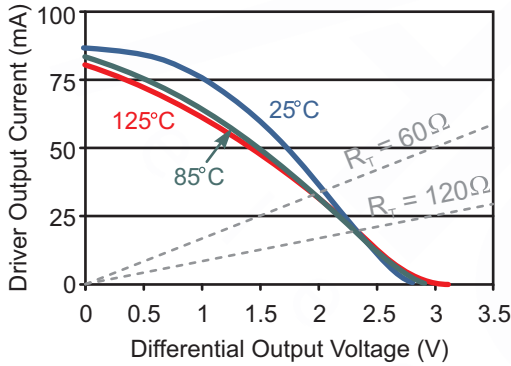


Figure 5. Typical transceiver differential output versus driver output current.

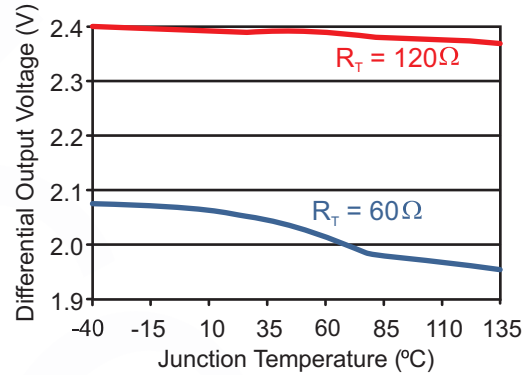


Figure 6. Typical transceiver differential output versus temperature.

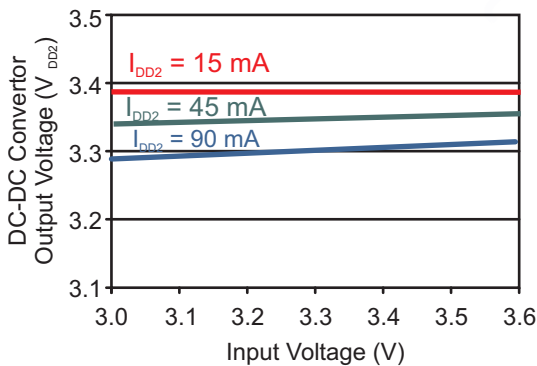


Figure 7. Typical DC-DC convertor line regulation.

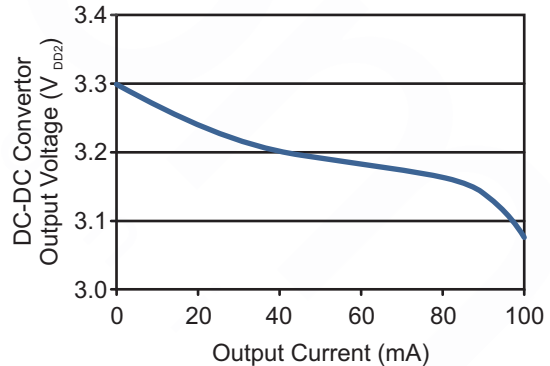


Figure 8. Typical DC-DC convertor load regulation ($V_{DD1A} = 3.3\text{ V}$).

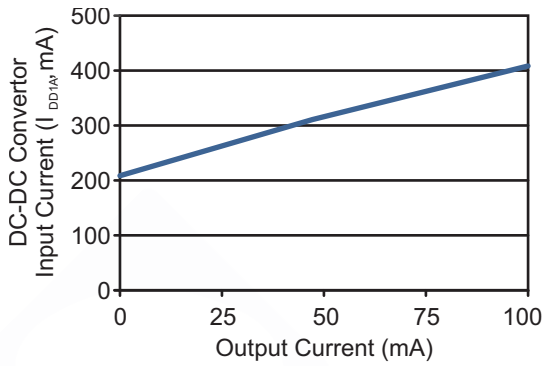


Figure 9. Typ. DC-DC converter supply current vs. output current ($V_{DD1A} = 3.3$ V).

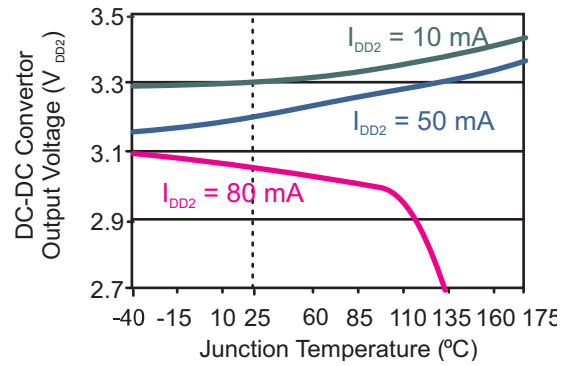


Figure 10. Typical DC-DC converter output versus temperature ($V_{DD1A} = 3.3$ V).

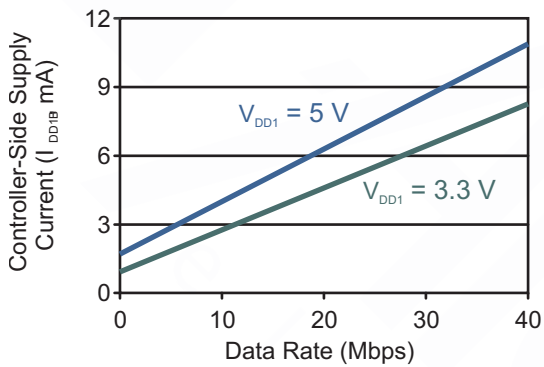


Figure 11. Transceiver controller-side supply current versus data rate.

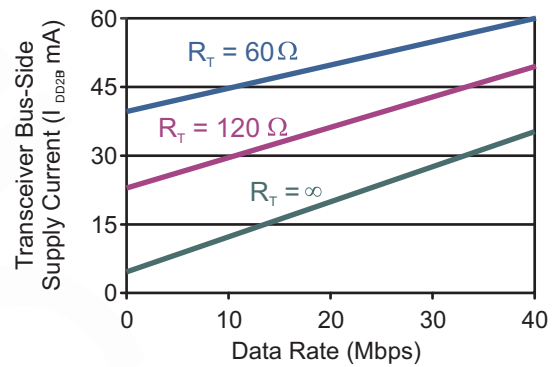


Figure 12. Typical transceiver bus-side supply current (I_{DD2}) versus aggregate termination resistance ($V_{DD2} = 3.3$ V).

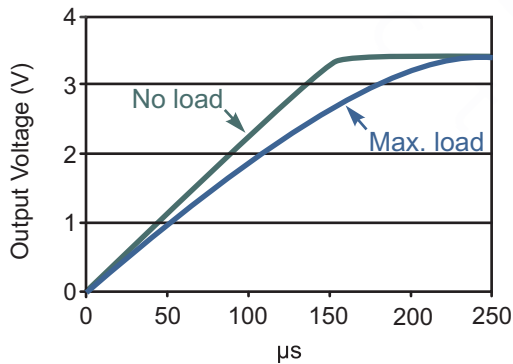


Figure 13. Typical DC-DC converter startup.

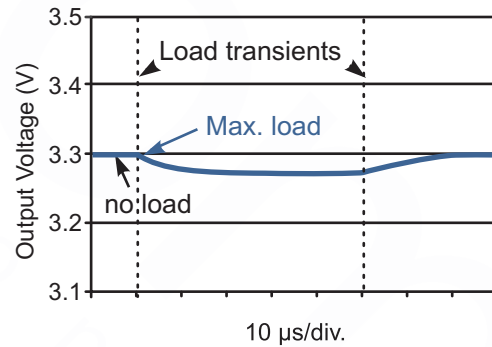


Figure 14. DC-DC converter transient response.

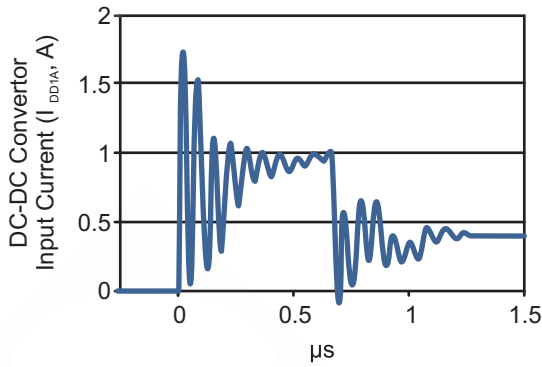


Figure 15. Typical start-up current (max. load; no V_{DD1} bypass capacitor).

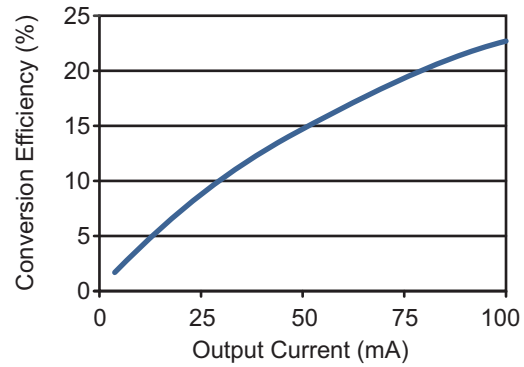


Figure 16. Typ. DC-DC convertor power efficiency ($V_{DD1} = 3.3 \text{ V}$; 25°C).

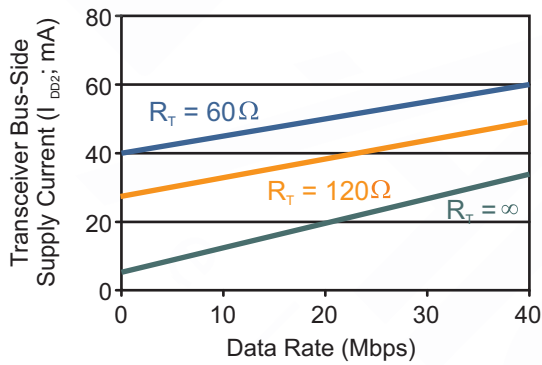


Figure 17. Typical transceiver bus-side supply current (I_{DD2}) versus operating speed.

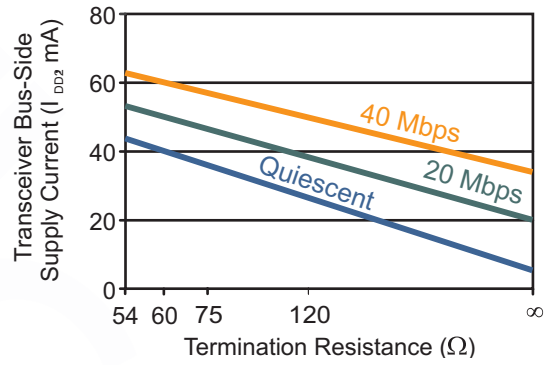


Figure 18. Typ. transceiver bus-side supply current (I_{DD2}) vs. aggregate termination resistance.

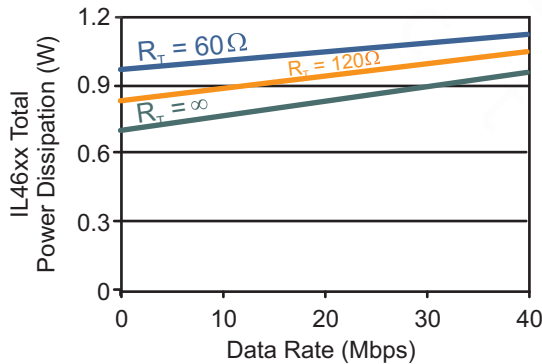


Figure 19. Total power dissipation versus operating speed ($V_{DD1A} = V_{DD1B} = 3.3 \text{ V}$; V_{DD2A} connected to V_{DD2B}).

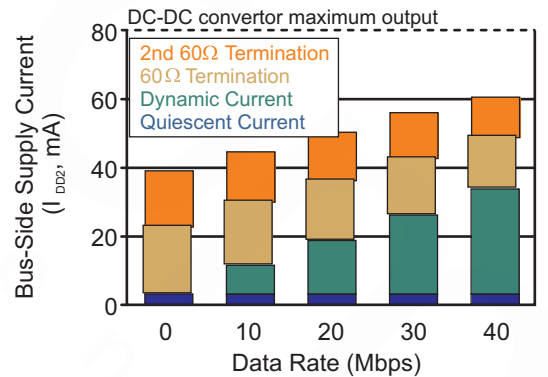


Figure 20. IL46xx bus-side supply current budget.

Application Information

IL46xxEs form complete, isolated, independent bus nodes. Termination resistors are optional.

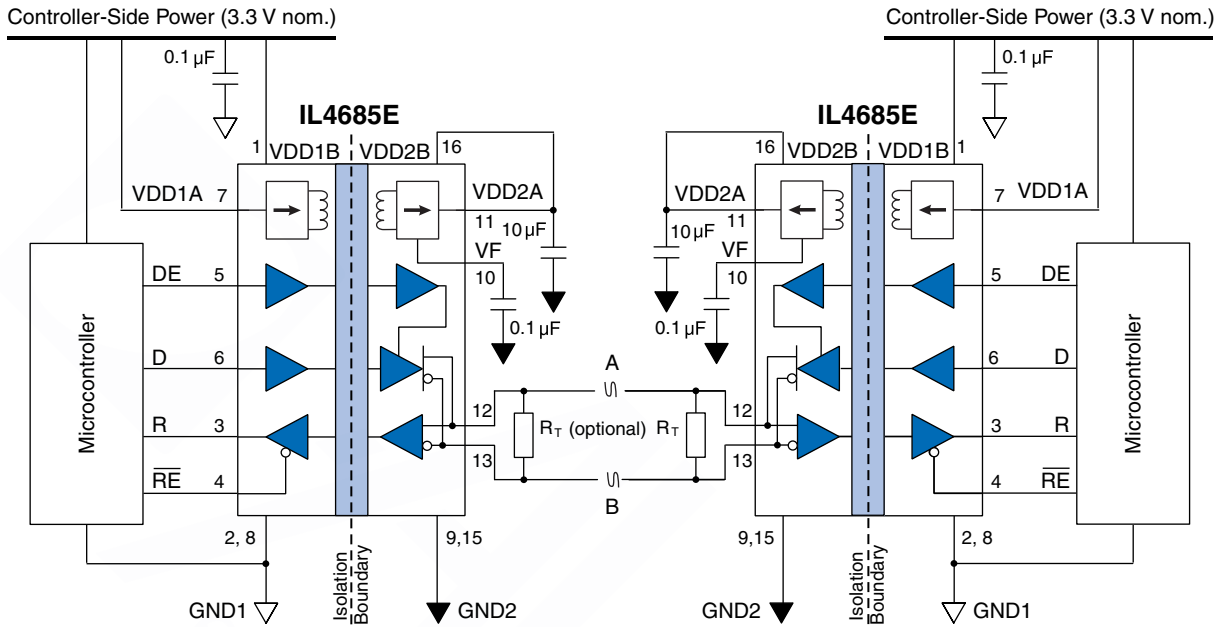


Figure 21. Two typical IL4685E nodes.

An IL46xxE can drive five-volt or 3.3-volt nodes. Termination resistors are optional.

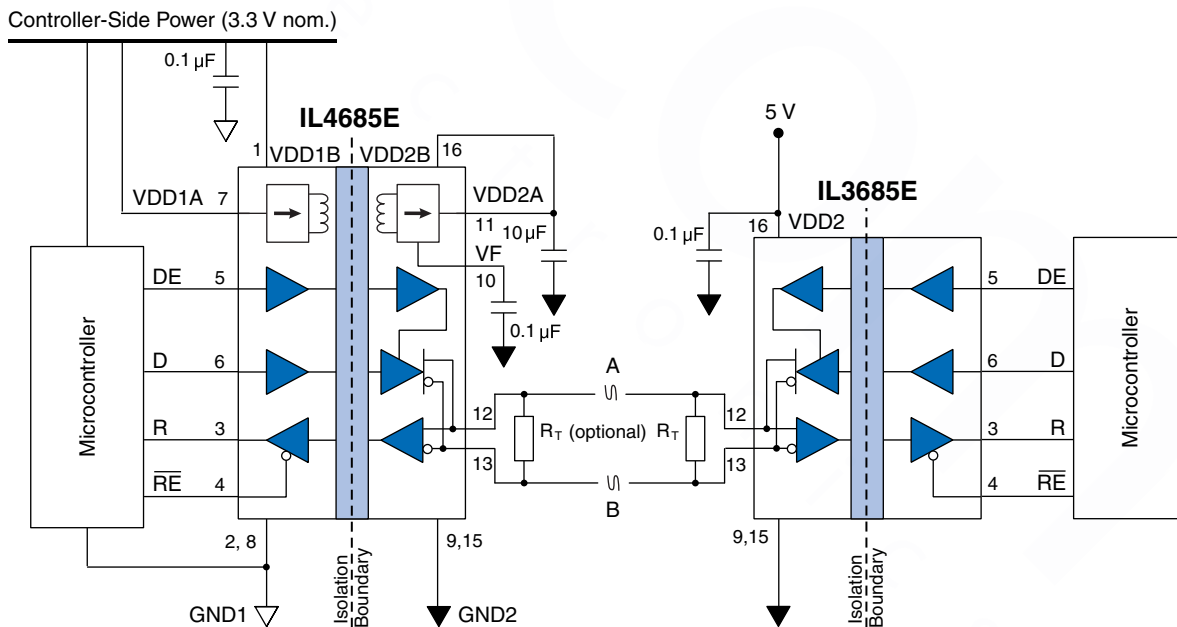


Figure 22. A typical IL4685E node driving a 5-volt-powered node.

IL4622Es can be used to create full-duplex RS-422 networks where one node broadcasts and multiple nodes can receive.

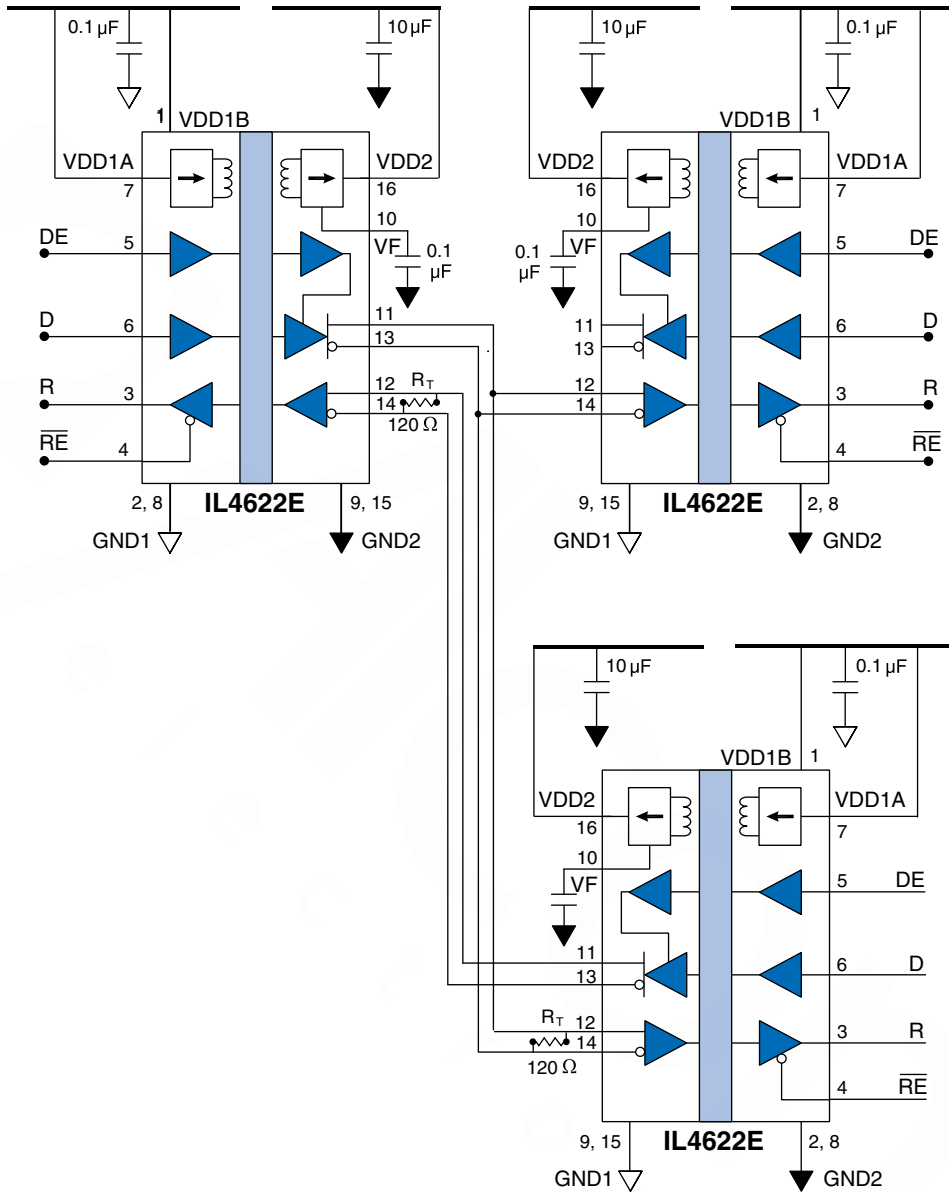


Figure 23. A full-duplex multi-drop RS-422 network.

The IL46xxE integrated DC-DC converter produces enough current to power multiple bus nodes. Isolated transceivers provide isolation from the bus. In the circuit below, the IL3685PE isolated transceiver uses the same transceiver circuitry as the IL4685E, and is fully-compatible with the 3.3-volt bus power and has a 1/5 unit load to minimize bus power. Termination resistors are not used to minimize power consumption.

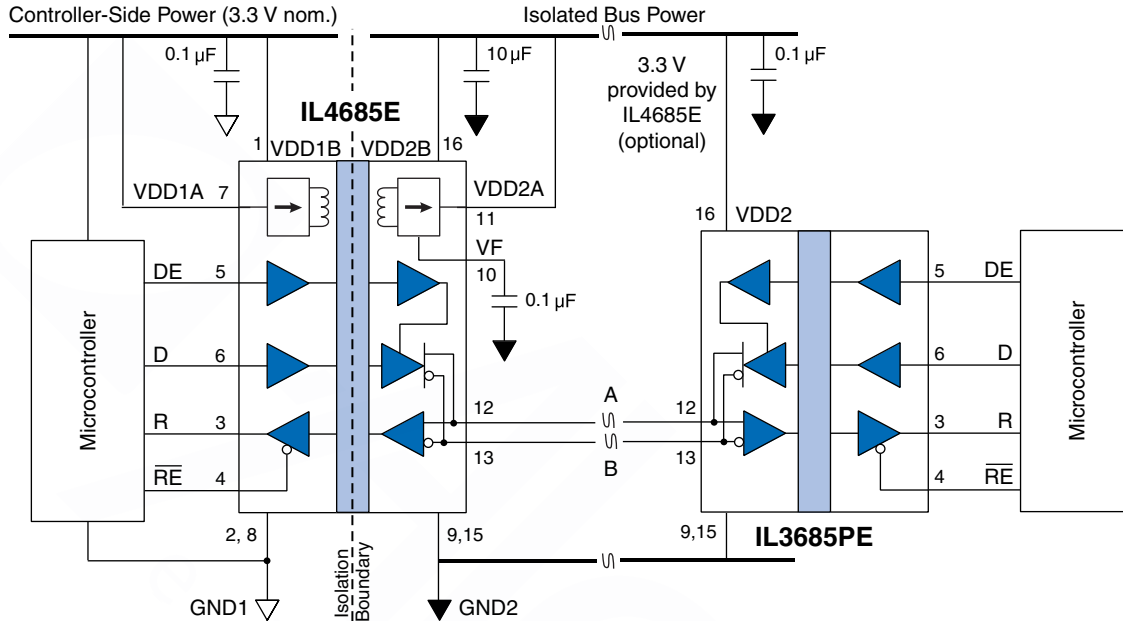


Figure 24. IL4685E powered bus with two fully-isolated nodes. The IL4685E powers both nodes.

If double isolation is not required, a non-isolated 3.3-volt transceiver such as the ISL3179E can be used. The IL4685 can power the remote node if desired:

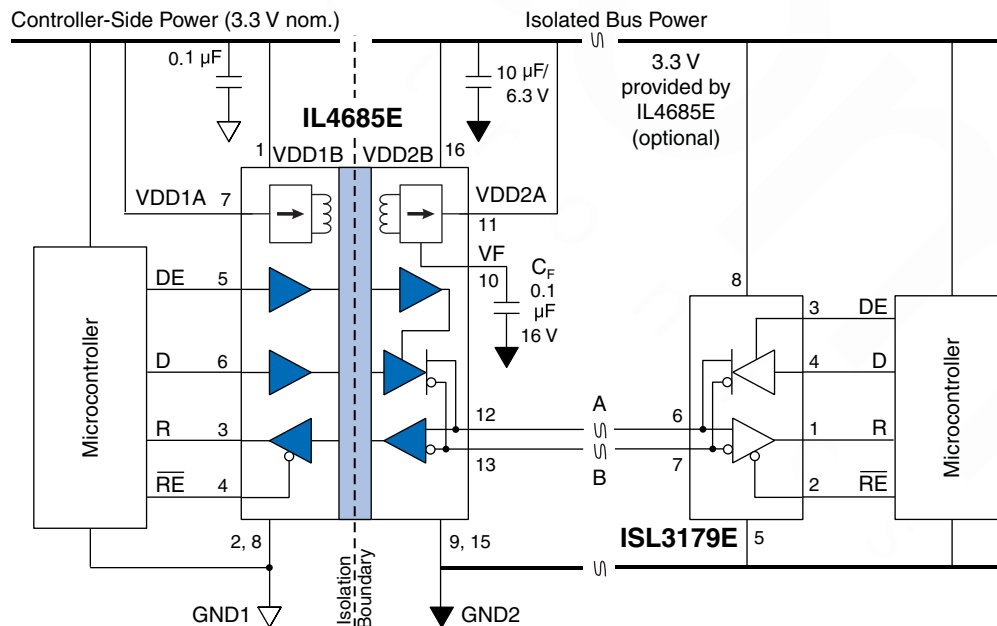


Figure 25. IL4685E powered bus with a non-isolated node.

Evaluation Board

The IL4622-01 Evaluation Board provides a complete isolated RS-485 or RS-422 node using the IL4622.

The 4 by 3 inch (100 x 75 mm) board provides uses a 2s2p board with thermal vias to optimize thermal performance. There are screw terminals for bus connections and test points for checking voltages and waveforms. Jumpers allow the board to be used as full duplex (separate A/B bus receiver from the Y/Z bus driver connections), or half duplex (“A” jumpered to “Y” and “B” jumpered to “Z”). Each board has a place for a bus termination resistor.

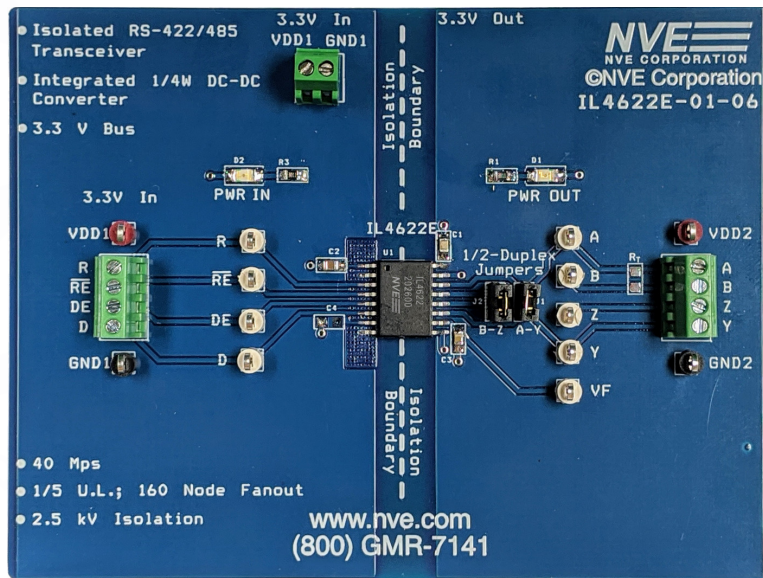
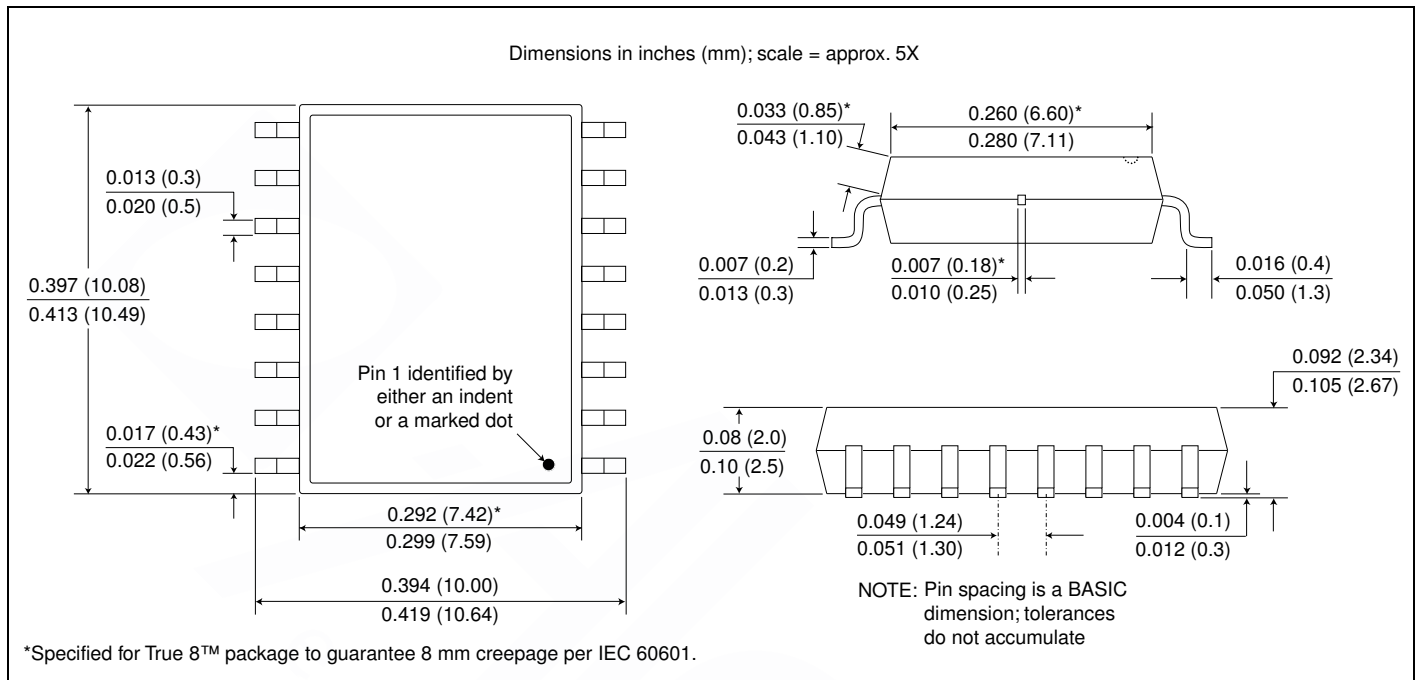
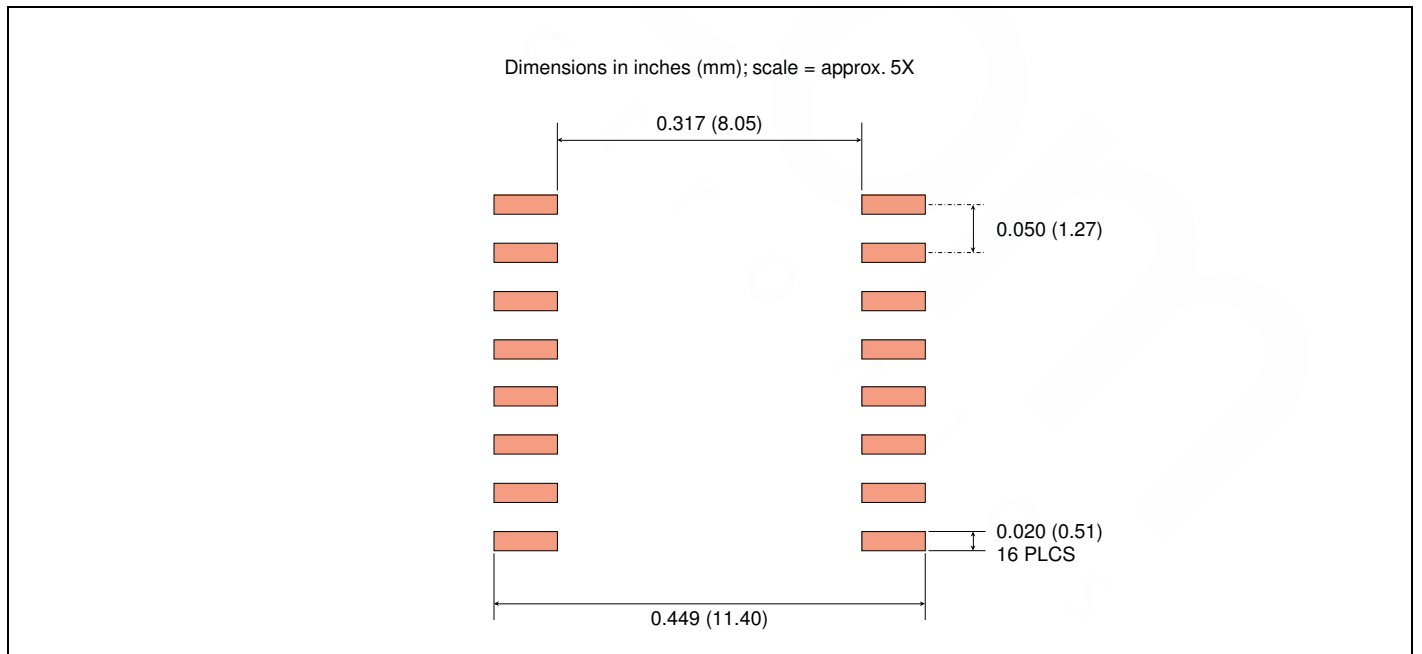


Figure 26. IL4622-01 Evaluation Board (actual size).

Package Drawing



Recommended Pad Layout



Available Part Numbers

Part Number	Bus	Duplex	Bulk Packaging	RoHS?
IL4622E	RS-422 / RS-485	Full	Tubes (50 pcs.)	RoHS
IL4685E	RS-485	Half		
IL4622E-TR7	RS-422 / RS-485	Full	7-inch reels (up to 450 pcs.)	
IL4685E-TR7	RS-485	Half		
IL4622E-TR13	RS-422 / RS-485	Full	13-inch reels (up to 1500 pcs.)	
IL4685E-TR13	RS-485	Half		SnPb finish (non-RoHS; Special Order)
IL4622	RS-422 / RS-485	Full	Tubes (50 pcs.)	
IL4685	RS-485	Half		
IL4622-TR7	RS-422 / RS-485	Full	7-inch reels (up to 450 pcs.)	
IL4685-TR7	RS-485	Half		
IL4622-TR13	RS-422 / RS-485	Full	13-inch reels (up to 1500 pcs.)	
IL4685-TR13	RS-485	Half		

Revision History

ISB-DS-001-IL46xx-RevB July 2020

Changes

- Description of internal DC-DC convertor thermal circuitry (p. 10) and graph (Figure 10).
- Added start-up current specification (p. 7) and typical graph (Figure 15).

SB-DS-001-IL46xx-RevA July 2020

Changes

- Initial release.
- Table corrections and final specifications (pp. 3 – 8).
- Changed IL4622E pinout (p. 5).
- Specification notes (p. 8).
- Added electrical fast transient (EFT) specification per IEC61000-4-4 for bus nodes (p. 3).
- Added overcurrent protection to DC-DC convertor detailed block diagram (Fig. 3).
- Added Shutdown Specifications table (p. 7).
- Added detailed block diagram (Fig. 1) and GMR isolator diagram (Fig. 2).
- More details on power up, hot plug, brownout detection, and unpowered nodes (p. 10).
- Added and finalized performance graphs (pp. 14 – 16).
- Added 120 Ω aggregate termination resistance (common for RS-422) to performance graphs.
- Added RS-422 application diagram (Figure 21).

ISB-DS-001-IL46xx-PRELIM4 March 2020

Changes

- Added full-duplex version (IL4622E).
- Increased Working Voltage to 700 V_{RMS} based on final VDE data.
- Rearranged application information text.
- Additional application circuits.
- Added evaluation board.

ISB-DS-001-IL4685-PRELIM3 December 2019

Changes

- Increased DC-DC convertor output power.
- Additional DC-DC convertor specifications.
- Performance graphs.
- Two-node application circuits.
- Changed external capacitor values.

ISB-DS-001-IL4685-PRELIM2 November 2018

Changes

- Replaced text in block diagram with arrows.
- Minor text revisions.

ISB-DS-001-IL4685-PRELIM October 2018

Change

- Preliminary release.

Datasheet Limitations

The information and data provided in datasheets shall define the specification of the product as agreed between NVE and its customer, unless NVE and customer have explicitly agreed otherwise in writing. All specifications are based on NVE test protocols. In no event however, shall an agreement be valid in which the NVE product is deemed to offer functions and qualities beyond those described in the datasheet.

Limited Warranty and Liability

Information in this document is believed to be accurate and reliable. However, NVE does not give any representations or warranties, expressed or implied, as to the accuracy or completeness of such information and shall have no liability for the consequences of use of such information.

In no event shall NVE be liable for any indirect, incidental, punitive, special or consequential damages (including, without limitation, lost profits, lost savings, business interruption, costs related to the removal or replacement of any products or rework charges) whether or not such damages are based on tort (including negligence), warranty, breach of contract or any other legal theory.

Right to Make Changes

NVE reserves the right to make changes to information published in this document including, without limitation, specifications and product descriptions at any time and without notice. This document supersedes and replaces all information supplied prior to its publication.

Use in Life-Critical or Safety-Critical Applications

Unless NVE and a customer explicitly agree otherwise in writing, NVE products are not designed, authorized or warranted to be suitable for use in life support, life-critical or safety-critical devices or equipment. NVE accepts no liability for inclusion or use of NVE products in such applications and such inclusion or use is at the customer's own risk. Should the customer use NVE products for such application whether authorized by NVE or not, the customer shall indemnify and hold NVE harmless against all claims and damages.

Applications

Applications described in this datasheet are illustrative only. NVE makes no representation or warranty that such applications will be suitable for the specified use without further testing or modification.

Customers are responsible for the design and operation of their applications and products using NVE products, and NVE accepts no liability for any assistance with applications or customer product design. It is customer's sole responsibility to determine whether the NVE product is suitable and fit for the customer's applications and products planned, as well as for the planned application and use of customer's third party customers. Customers should provide appropriate design and operating safeguards to minimize the risks associated with their applications and products.

NVE does not accept any liability related to any default, damage, costs or problem which is based on any weakness or default in the customer's applications or products, or the application or use by customer's third party customers. The customer is responsible for all necessary testing for the customer's applications and products using NVE products in order to avoid a default of the applications and the products or of the application or use by customer's third party customers. NVE accepts no liability in this respect.

Limiting Values

Stress above one or more limiting values (as defined in the Absolute Maximum Ratings System of IEC 60134) will cause permanent damage to the device. Limiting values are stress ratings only and operation of the device at these or any other conditions above those given in the recommended operating conditions of the datasheet is not warranted. Constant or repeated exposure to limiting values will permanently and irreversibly affect the quality and reliability of the device.

Terms and Conditions of Sale

In case an individual agreement is concluded only the terms and conditions of the respective agreement shall apply. NVE hereby expressly objects to applying the customer's general terms and conditions with regard to the purchase of NVE products by customer.

No Offer to Sell or License

Nothing in this document may be interpreted or construed as an offer to sell products that is open for acceptance or the grant, conveyance or implication of any license under any copyrights, patents or other industrial or intellectual property rights.

Export Control

This document as well as the items described herein may be subject to export control regulations. Export might require a prior authorization from national authorities.

Automotive Qualified Products

Unless the datasheet expressly states that a specific NVE product is automotive qualified, the product is not suitable for automotive use. It is neither qualified nor tested in accordance with automotive testing or application requirements. NVE accepts no liability for inclusion or use of non-automotive qualified products in automotive equipment or applications.

In the event that customer uses the product for design-in and use in automotive applications to automotive specifications and standards, customer (a) shall use the product without NVE's warranty of the product for such automotive applications, use and specifications, and (b) whenever customer uses the product for automotive applications beyond NVE's specifications such use shall be solely at customer's own risk, and (c) customer fully indemnifies NVE for any liability, damages or failed product claims resulting from customer design and use of the product for automotive applications beyond NVE's standard warranty and NVE's product specifications.

An ISO 9001 Certified Company

NVE Corporation
11409 Valley View Road
Eden Prairie, MN 55344-3617 USA
Telephone: (952) 829-9217
www.nve.com
e-mail: iso-info@nve.com

©NVE Corporation

All rights are reserved. Reproduction in whole or in part is prohibited without the prior written consent of the copyright owner.