

MPQ6527-AEC1/MP6527

40V, 0.8A, 10-Ch Half-Bridge Driver with Serial Interface

Key Features

- 5.5V to 40V Input Voltage (V_{IN}) Range
- Up to 0.8A Output Current (I_{OUT})
- $R_{DS(ON)}$ (HS-FET and LS-FET), Typically 1.3Ω
- Serial Data Interface
- Various Diagnostic Functions include Output Short, Open Load, Over-Temperature (OT), Over-Voltage (OV), and Under-Voltage (UV)

Applications

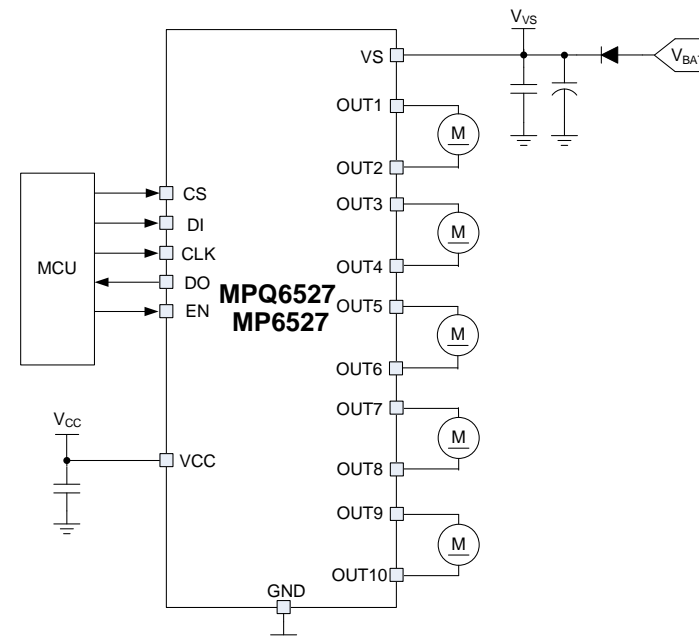
- Drives Various Loads in Automotive and Industrial Applications
- Solenoid Drivers
- DC Motors

Why Buy?

- Wider V_{IN} Range than Competitors
- More Diagnostic Functions than Competitors

Market

- Automotive HVAC Controls
- Programmable Logic Control (PLC) I/O Modules



Available in a TSSOP-28EP Package

