

# MP6616

18V, 2A, Single-Phase BLDC Motor Driver with Integrated Hall Sensor

## Key Features

- 3.3V to 18V  $V_{IN}$
- 4A Configurable Current Limit
- Integrated Power MOSFETs and Hall Sensor
- Low  $R_{DS(ON)}$ : HS + LS = 100m $\Omega$
- Configurable Speed Curve
- Closed-Loop Control

## Applications

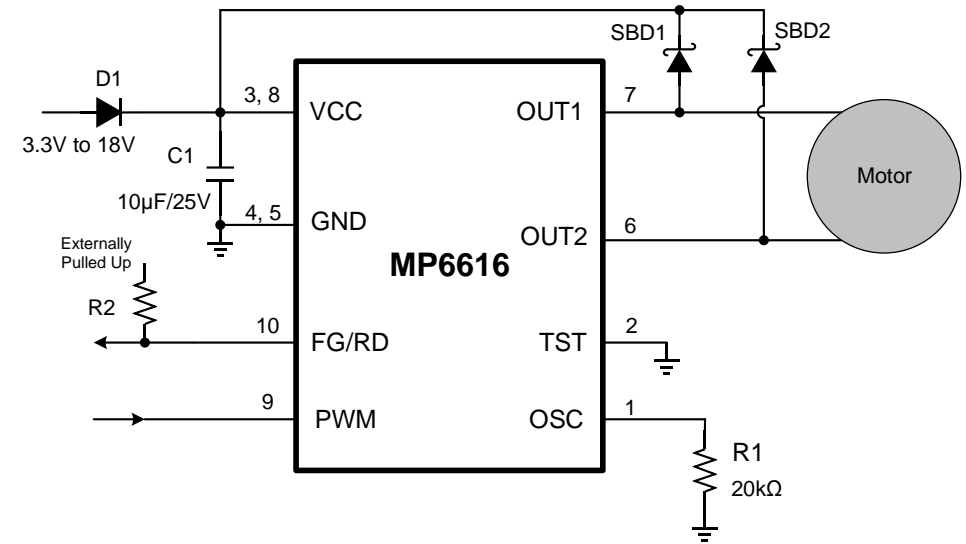
- Single-Phase Fan Drivers

## Why Buy?

- Lower  $R_{DS(ON)}$  for Higher Efficiency
- Closed-Loop Control for Accurate Speed Control
- Higher Integration Reduces Component Count and Lowers BOM Cost

## Market

- Computers or CPU Fans
- 1U and 2U Server Fans
- Cooling Fans



Available in a QFN-10 (2mmx3mm) Package

