



MP2721

I²C Controlled 1-cell 5A NVDC Buck Charger

PRELIMINARY SPECIFICATIONS SUBJECT TO CHANGE

DESCRIPTION

The MP2721 is a highly-integrated 5A switching-mode battery management device for single-cell Li-ion or Li-polymer battery. The Narrow-VDC (NVDC) power management structure provides low impedance power path which optimizes charging efficiency, reduces battery charging time and extends battery life during discharging.

USB Battery Charging Specification 1.2 (BC1.2) and non-standard adaptor detection are supported by the input source type identification algorithm.

The I²C interface offers complete operating control, charging parameter programming and status/interrupt monitoring.

The MP2721 supports fully-customizable JEITA profile with programmable temperature windows and actions.

FEATURES

- 5A NVDC Switching Charger with Power Path
- Support USB BC1.2 and Non-Standard Adaptors
- 26V Sustainable Input Voltage
- 80mA to 5A I²C Programmable Charge Current
- 100mA to 3.2A I²C Programmable Input Current Limit
- Minimum Input Voltage Loop for Maximum Adaptor Power Tracking
- Comprehensive Safety Features
 - Fully-customizable JEITA Profile
 - Additional NTC Thermistor Input
 - Programmable Die Temperature Regulation from 60°C to 120°C
 - Complete Charge and Pre-Charge Safety Timers
 - Watchdog Safety Timer

- Lockable Registers for Charging Parameters
- Programmable Switching Frequency from 750kHz to 1.5MHz
- Integrated 15mΩ Low-Rdson Battery FET with Shipping and Reset Modes
- Ultra-low 8.5μA Battery Discharge Current in Shipping Mode
- Down to 30mA Termination Current Settings for Wearable Applications
- I²C Port for Flexible System Parameter Setting and Status Reporting
- Programmable Boost-converter for Source Mode (OTG)
 - Programmable Output Current Limit Loop up to 3A
 - Output Over-current Protection
 - Ability to Power into Large Capacitive Loads up to 2mF
 - Programmable Output Voltage from 5.0V to 5.35V
- Accuracy
 - +/- 0.5% Battery Regulation Voltage
 - +/- 5% Charge Current
 - +/- 5% Input Current Limit
 - Remote Battery Sensing for Fast Charge
 - ±2% Output Regulation in Boost Mode
- Small QFN-22(2.5mm×3.5mm) Package

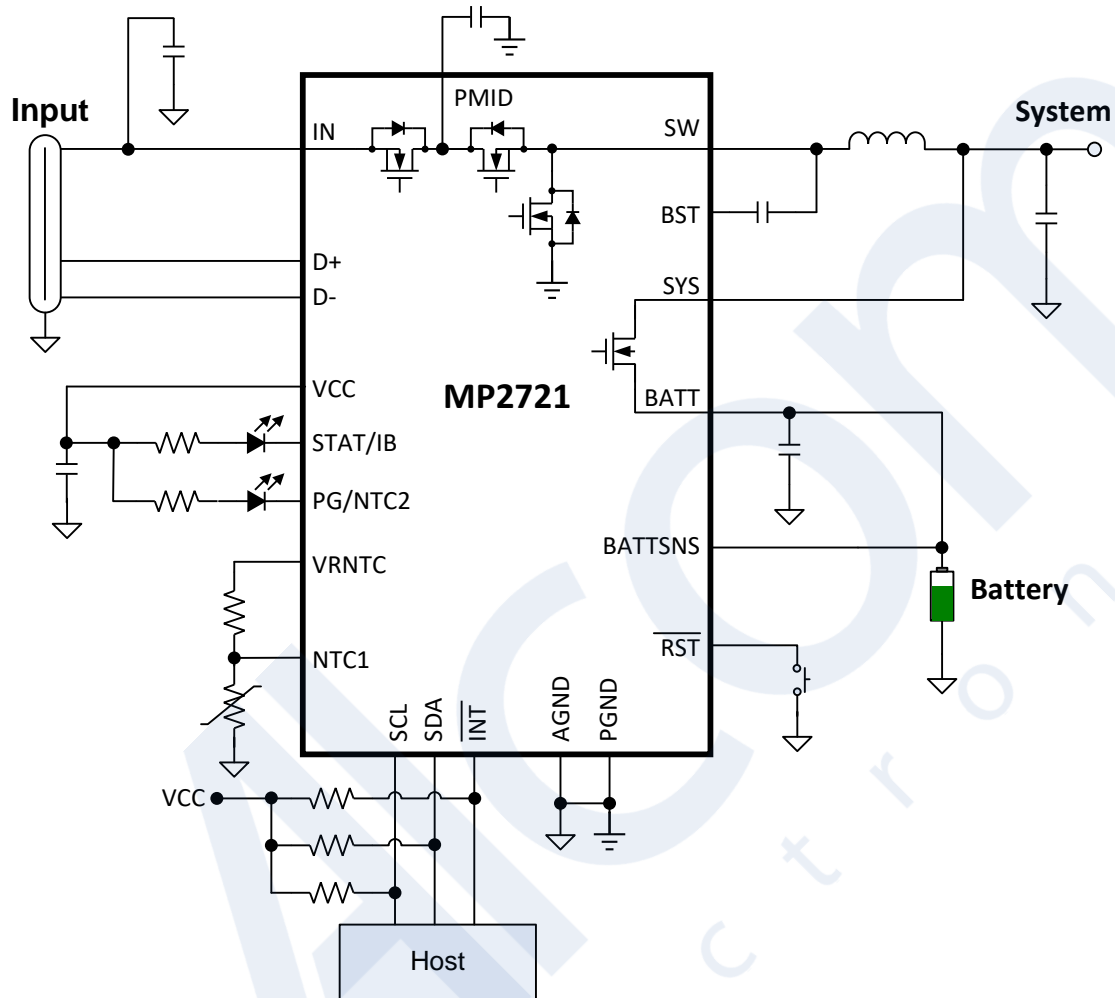
APPLICATIONS

- General ≤15W USB Applications
- Bluetooth Headphones
- Bluetooth Speakers
- POS Terminals
- Portable Cameras

All MPS parts are lead-free, halogen-free, and adhere to the RoHS directive. For MPS green status, please visit the MPS website under Quality Assurance. "MPS", the MPS logo, and "Simple, Easy Solutions" are trademarks of Monolithic Power Systems, Inc. or its subsidiaries.



TYPICAL APPLICATION



NOTICE: The information in this document is subject to change without notice. Please contact MPS for current specifications. Users should warrant and guarantee that third party Intellectual Property rights are not infringed upon when integrating MPS products into any application. MPS will not assume any legal responsibility for any said applications.