

ORDER INFORMATION

MATERIAL:

HOUSING: PBT,UL94V-0,BLACK.
 TERMINALS BRACKET: PBT,UL94V-0,BLACK.
 SHIELD: C2680,T=0.20MM,NICKEL PLATING ON ALL AREA.
 TERMINAL: PHOSPHOR BRONZE C5210,T=0.35MM,

5 R T 1 D R 1 0 R 2 N - A 8 S A P 3 L - 111 - R 6



N:W/O Ear	Number of position A:10P	Number of contact 8:8C	SA:Selective Au 6u"	L:RoHS+PBT+Tray
-----------	-----------------------------	---------------------------	---------------------	-----------------

MECHANICAL:

DURABILITY: 750 CYCLES MIN.
 MATING FORCE: 23N MAX.
 OPERATING TEMPERATURE: -40°C~+85°C.
 STORAGE TEMPERATURE: -40°C~+85°C.

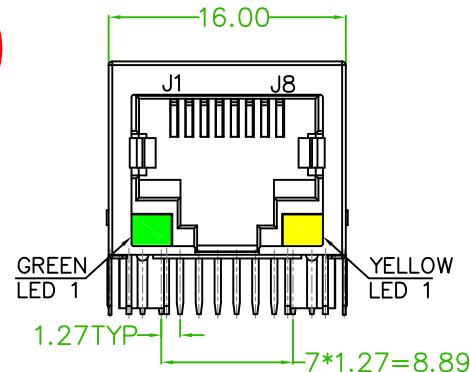
NOTE

Symbol "R6" means serial as Order Information shown

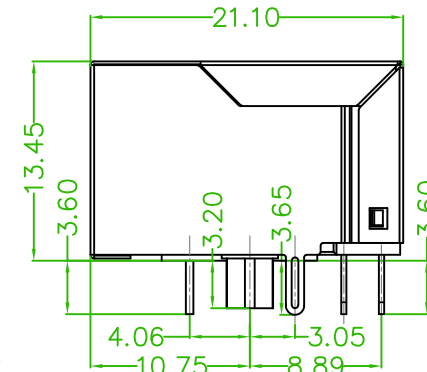


LED Specification

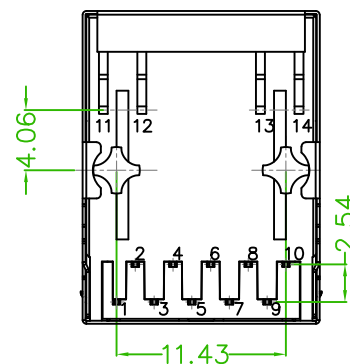
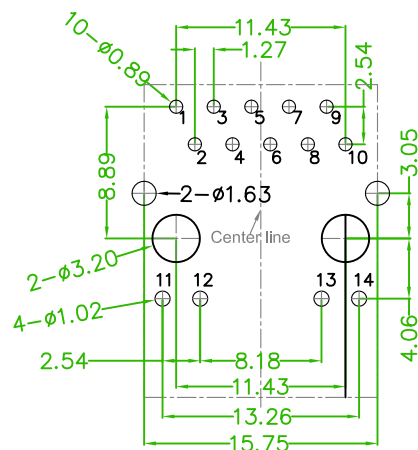
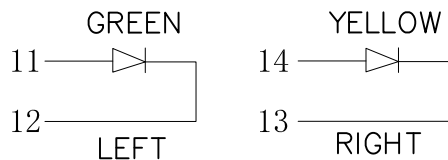
Standard LED Color	LED Wavelength	Foward(A)	Foward(V)
Green	568nm	20mA	1.85-2.45V
Yellow	585nm	20mA	1.7-2.2V



FRONT VIEW



RIGHT SIDE VIEW



BOTTOM VIEW

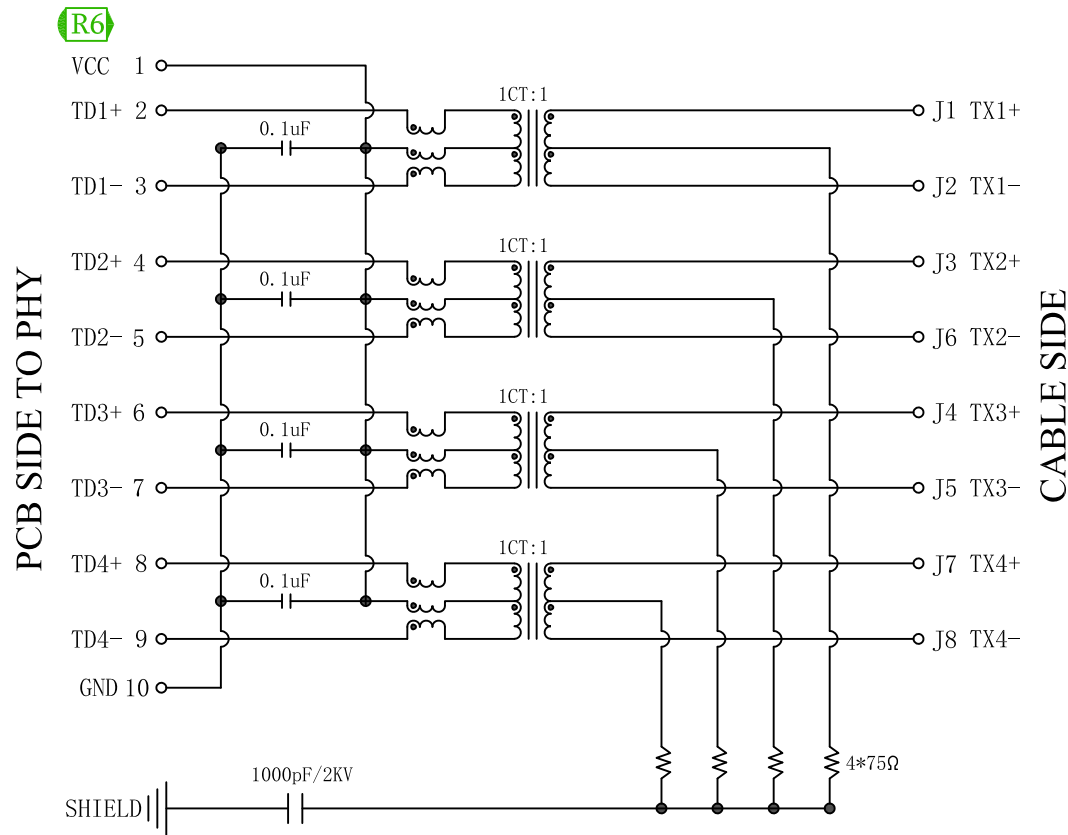
RECOMMENDED PCB LAYOUT
 VIEWED FROM COMPONENT SIDE



Singel 3 | B-2550 Kontich | Belgium | Tel. +32 (0)3 458 30 33 | info@alcom.be | www.alcom.be
 Rivium 1e straat 52 | 2909 LE Capelle aan den IJssel | The Netherlands | Tel. +31 (0)10 288 25 00 | info@alcom.nl | www.alcom.nl

 糧德精密有限公司 Amtek Technology Co., Ltd. TEL: 886-2-2260-6878 FAX: 886-2-2260-8030	品名 TITLE	MODULAR JACK SIDE ENTRY			頁數 Page	1/2	
	品號 PART NO.	5RT1DR10R2N-A8SAP3L-111-R6			繪圖 DRAWN	Nick 2019/08/29	
	圖號 DRAWING NO.	GN169-NI332		版本 REV.	A	核對 CHECKED	Josh 2019/08/29
	客戶品號 CUSTOMER P/N			比例 SCALE	None	承認 APPROVED	Josh 2019/08/29
	公差 TOLERANCE	.X ±0.30 .XX ±0.25	單位 UNIT	mm	THIRD ANGLE PROJECTION		

REV.	ECN NO. OR DESCRIPTION	REVISED	DATE



Electrical:

- Turn ratio: 2~3: J1~J2=1CT:1CT(±2%).
4~5: J3~J6=1CT:1CT(±2%).
6~7: J4~J5=1CT:1CT(±2%).
8~9: J7~J8=1CT:1CT(±2%).
- OCL: 350uH Min. at 100KHz 100mV 8mA DC.
- Insertion Loss: -1.0 dB Max 1~100MHz.
- Return loss: -18dB Min 1~30MHz;
-14dB Min 30~60MHz.
-12dB Min 60~80MHz.
-10dB Min 80~100MHz.
- Cross talk: -40dB Min 1~30MHz;
-35dB Min 30~60MHz;
-30dB Min 60~100MHz;
- CMR: -30dB Min 1~100MHz;
- Hi-Pot: 2250V DC 6S 1mA PRI TO SEC



Singel 3 | B-2550 Kontich | Belgium | Tel. +32 (0)3 458 30 33 | info@alcom.be | www.alcom.be
Rivium 1e straat 52 | 2909 LE Capelle aan den IJssel | The Netherlands | Tel. +31 (0)10 288 25 00 | info@alcom.nl | www.alcom.nl



糧德精密有限公司
Amtek Technology Co., Ltd.
TEL: 886-2-2260-6878
FAX: 886-2-2260-8030

品名 TITLE	MODULAR JACK SIDE ENTRY				頁數 Page	2/2
品號 PART NO.	5RT1DR10R2N-A8SAP3L-111-R6			繪圖 DRAWN	Nick 2019/08/29	
圖號 DRAWING NO.	GN169-NI332		版本 REV.	A	核對 CHECKED	Josh 2019/08/29
客戶品號 CUSTOMER P/N			比例 SCALE	None	承認 APPROVED	Josh 2019/08/29
公差 TOLERANCE	.X ±0.30 .XX ±0.25	單位 UNIT	mm	THIRD ANGLE PROJECTION		

REV.	ECN NO. OR DESCRIPTION	REVISED	DATE