

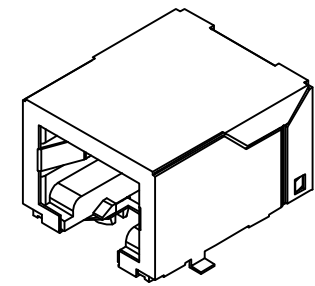
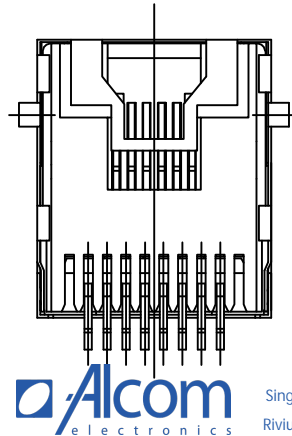
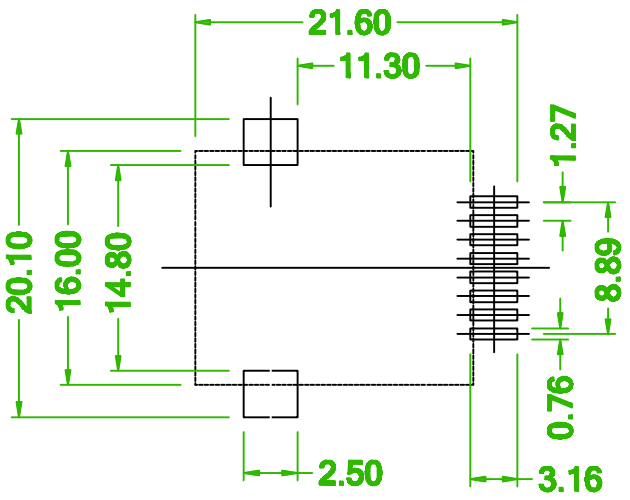
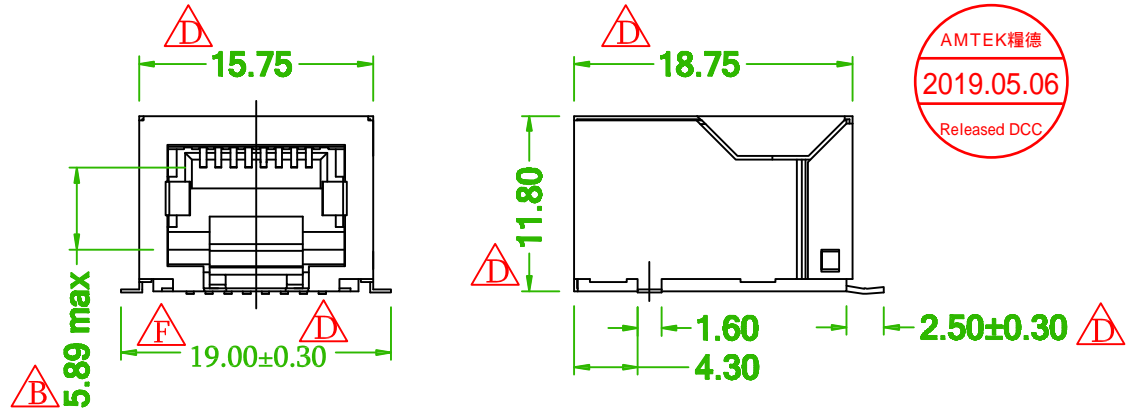
Notes :

Cavity Confirms to FCC Rules and Regulations Part 68, Subpart F
 Housing: Nylon 9T , UL94V-0, Black
 Contact : 0.35mm Thick Phosphor Bronze
 Finished : Gold Plated Over Nickel on Contact Area,
 Tin Plated Over Nickel on Solder Area.
 Shield:Bronze Plated Nickel

ORDER INFORMATION

5 R J 1 M R 1 0 N 0 N - X X X X 0 0 U - 964 - A 1

Number of position 8: 8P A: 10P	Number of contact 8: 8P A: 10P	SA:Selective 6u" SF:Selective15u" SD:Selective 30u" S5:Selective 50u"	U:RoHS+Ny9T+Tray
---------------------------------------	--------------------------------------	--	------------------



Singel 3 | B-2550 Kontich | Belgium | Tel. +32 (0)3 458 30 33 | info@alcom.be | www.alcom.be
 Rivium 1e straat 52 | 2909 LE Capelle aan den IJssel | The Netherlands | Tel. +31 (0)10 288 25 00 | info@alcom.nl | www.alcom.nl

Old Part No. : S964

PCB LAYOUT / TOP VIEW

ECN NO.:190404 Change :18.70->19.00, 0.20->0.25, 0.15->0.25 Remove :PBT	David	2019/04/15
ECN NO.:180605,Revise the Plated:S5->SH	Mia	2018/10/01
ECN NO.:180305,Revise the Darwing	Mia	2018/03/26
REV.	ECN NO. OR DESCRIPTION	REVISED DATE

TEL: 886-2-2260-6878
FAX: 886-2-2260-8030

品名 TITLE	MODULAR JACK SHIELDED SIDE ENTRY SMT TYPE H=12.0 W=18.7			頁數 Page	1/1
品號 PART NO.	F 5RJ1MR10N0N-XXXX00U-964-A1	繪圖 DRAWN	Jeff 2015/09/16		
圖號 DRAWING NO.	GW005-EL348	版本 REV.	F	核對 CHECKED	Josh 2019/04/15
客戶品號 CUSTOMER P/N		比例 SCALE	None	承認 APPROVED	Josh 2019/04/15
公差 TOLERANCE	F ± 0.25	單位 UNIT	mm	THIRD ANGLE PROJECTION	