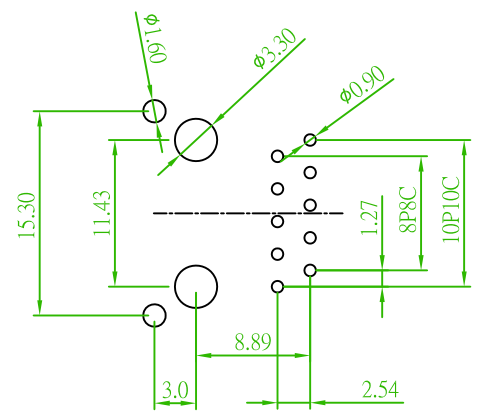
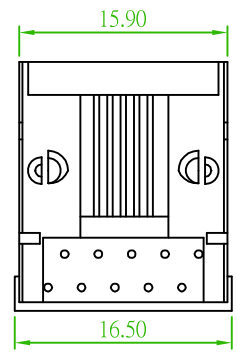
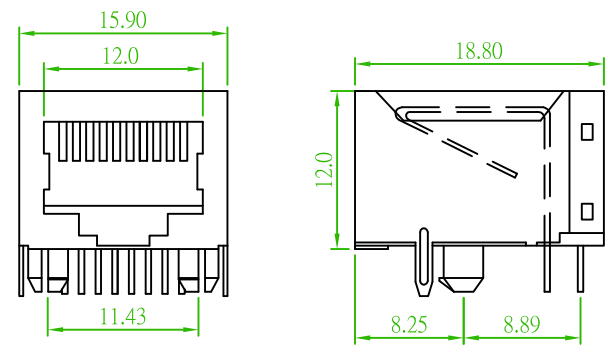
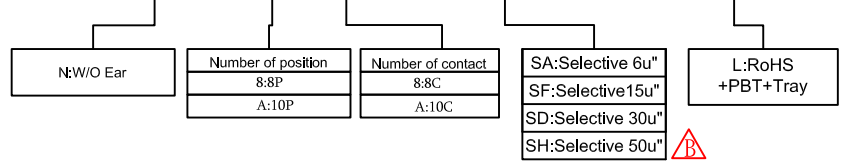


# ORDER INFORMATION

## MATERIAL&FINISH

HOUSING: glass fiber, PBT. UL94V-0, BLACK  
 CONTACT: 0.35 mm thickness phosphor bronze,  
 Gold plated over Nickel on contact area,  
 Tin plated over Nickel on solder area.

5 R J 1 D R 1 0 F 1 N - X X X X 0 0 L - 9 5 0 - A 1



Recommended PCB Layout  
 (PCB TOLERANCE ±0.05)  
 Singel 3 | B-2550 Kontich | Belgium | Tel. +32 (0)3 458 30 33 | info@alcom.be | www.alcom.be  
 Rivium 1e straat 52 | 2909 LE Capelle aan den IJssel | The Netherlands | Tel. +31 (0)10 288 25 00 | info@alcom.nl | www.alcom.nl

Old Part No.:S950-L



禮德精密有限公司  
 Amtek Technology Co., Ltd.  
 TEL: 886-2-2260-6878  
 FAX: 886-2-2260-8030

品名 TITLE	MODULAR JACK SHIELDED SIDE ENTRY H=12.1 W=18.8				頁數 Page	1/1
品號 PART NO.	5RJ1DR10F1N-XXXX00L-950-A1			繪圖 DRAWN	Jeff 2015/09/16	
圖號 DRAWING NO.	GW005-MD525		版本 REV.	B	核對 CHECKED	John 2015/09/16
客戶品號 CUSTOMER P/N			比例 SCALE	None	承認 APPROVED	John 2015/09/16
公差 TOLERANCE	.X ±0.25	.XX ±0.20	單位 UNIT	mm	THIRD ANGLE PROJECTION	

REV.	ECN NO. OR DESCRIPTION	REVISED	DATE
	ECN NO.:180605,Revise the Plated:S5->SH	Mia	2018/10/01