

MATERIAL & FINISH

Housing: PBT. UL94V-0, black or gray

Insert: PBT. UL94V-0, gray

Conductor:

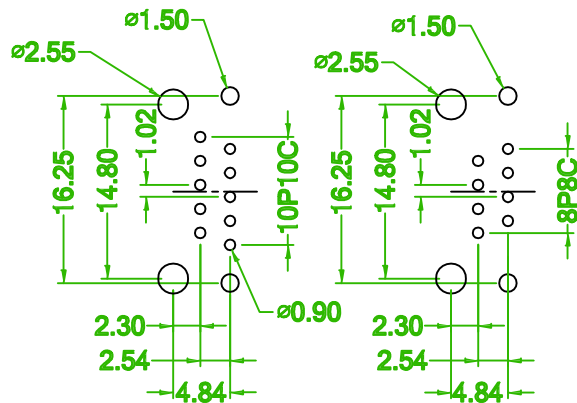
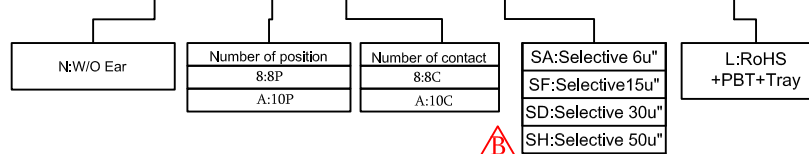
Stamping pin 0.35 x 0.42 mm phosphor bronze,

Gold plated over nickel on contact area,

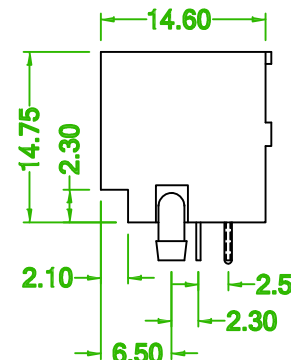
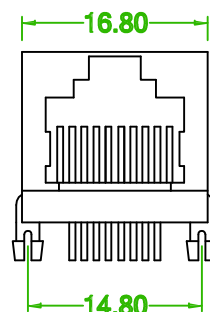
Tin plated over nickel on solder area.

ORDER INFORMATION

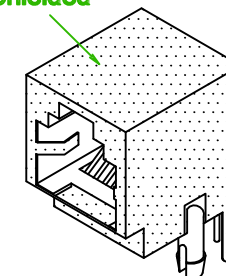
5 R J 1 D R 1 0 R 9 N - X X X X 0 0 L - 816 - A 1



Recommended PCB Layout
(PCB TOLERANCE ±0.05)



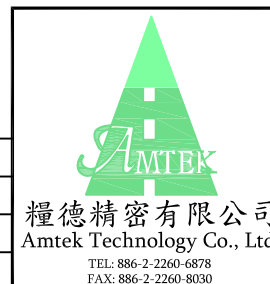
Shielded



Old Part No.:S816-L



Singel 3 | B-2550 Kontich | Belgium | Tel. +32 (0)3 458 30 33 | info@alcom.be | www.alcom.be
Rivium 1e straat 52 | 2909 LE Capelle aan den IJssel | The Netherlands | Tel. +31 (0)10 288 25 00 | info@alcom.nl | www.alcom.nl



品名 TITLE	MODULAR JACK SHIELDED SIDE ENTRY H=14.7 W=14.6				頁數 Page	1/1
品號 PART NO.	5RJ1DR10R9N-XXXX00L-816-A1			繪圖 DRAWN	Jeff 2015/09/16	
圖號 DRAWING NO.	GW005-MD528		版本 REV.	B	核對 CHECKED	John 2015/09/16
客戶品號 CUSTOMER P/N			比例 SCALE	None	承認 APPROVED	John 2015/09/16
公差 TOLERANCE	.X ±0.25	.XX ±0.20	單位 UNIT	mm	THIRD ANGLE PROJECTION	

REV.	ECN NO. OR DESCRIPTION	REVISED	DATE
	ECN NO.:180605,Revise the Plated:S5->SH	Mia	2018/10/01