

MP-7070-T200

Mid Power LED



Features

- High efficacy
- Low thermal resistance
- Sulfur resistance for outdoor and horticulture applications
- Compatible with automatic placement equipment
- Compatible with infrared reflow solder process
- RoHs and REACH compliant



Applications

- Outdoor lighting
- Entertainment lighting
- Architectural lighting

Table of Contents

Product Selection Table	2
Binning Structure	3
Operating Characteristics	4
Chromaticity Diagram	5
Color Ranks	5
Chromaticity Coordinate Group	6
Characteristics Graphs	7
Package dimension	9
Solder Profile	10
Package Dimensions	11
Inner Box	14



Singel 3 | B-2550 Kontich | Belgium | Tel. +32 (0)3 458 30 33
info@alcom.be | www.alcom.be
Rivium 1e straat 52 | 2909 LE Capelle aan den IJssel | The Netherlands
Tel. +31 (0)10 288 25 00 | info@alcom.nl | www.alcom.nl



PRODUCT ORDERING AND SHIPPING PART NUMBER NOMENCLATURE

All mid power products are packaged and labeled with part numbers as outlined in below. When shipped, each reel will contain only a single flux and voltage bin. The part number designation is as follows:

7070 Mid Power LED

	Package Type	Package Configurator	Nominal CCT	Minimum CRI
MP	7070	T200	##	##

Example:

The part number MP-7070-T200-30-80 refers to a 7070 emitter with nominal color temperature of 3,000k and minimum CRI of 80. Please refer to page for a description of available CCT and CRI combinations.

PRODUCT SELECTION TABLE

Test condition = 240 mA ($T_c=25^\circ\text{C}$)

Nominal CCT	Minimum CRI	Ordering Part Number	Minimum Flux (Lumens)	Typical Flux (Lumens)
2700K	70	MP-7070-T200-27-70	1200	1380
	80	MP-7070-T200-27-80	1200	1320
	90	MP-7070-T200-27-90	1000	1120
3000K	70	MP-7070-T200-30-70	1300	1450
	80	MP-7070-T200-30-80	1200	1380
	90	MP-7070-T200-30-90	1000	1170
4000K	70	MP-7070-T200-40-70	1400	1510
	80	MP-7070-T200-40-80	1300	1430
	90	MP-7070-T200-40-90	1100	1220
5000K	70	MP-7070-T200-50-70	1400	1510
	80	MP-7070-T200-50-80	1300	1430
	90	MP-7070-T200-50-90	1100	1220
5700K	70	MP-7070-T200-57-70	1400	1510
	80	MP-7070-T200-57-80	1300	1430
	90	MP-7070-T200-57-90	1100	1220
6500K	70	MP-7070-T200-65-70	1400	1510
	80	MP-7070-T200-65-80	1300	1430
	90	MP-7070-T200-65-90	1100	1210



BINNING STRUCTURE

All MP-7070-T200 monochromatic LEDs are tested for luminous flux/ dominant wavelength and placed into one of the following flux/wave length bins. The binning structure is universally applied across each monochromatic color of the MP-7070-T200 product line.

Flux Bins

Bin Code	Minimum Flux (Lumens)	Maximum Flux (Lumens)
3A	1000	1100
3B	1100	1200
3C	1200	1300
3D	1300	1400
3E	1400	1500
3F	1500	1600
3G	1600	1700

Forward Voltage

Bin Code	Minimum Voltage (Volts)	Maximum Voltage (Volts)
6K	34	35
6L	35	36

* Tolerance of measurements of the Forward Voltage is $\pm 0.1V$



MP-7070 MID POWER OPERATING CHARACTERISTICS

Optical and Electrical Characteristics($T_c = 25^\circ\text{C}$)

Parameter	Symbol	Minimum	Typical	Maximum	Unit	Condition
Forward Voltage	V_f	34	36	38	V	$I_f=240\text{mA}$
Reverse Current	I_r			10	μA	$V_r=5\text{V}$
View Angle	$2\theta^{1/2}$		120		$^\circ$	$I_f=240\text{mA}$
Thermal Resistance	R_{th}_{j-sp}		2		$^\circ\text{C}/\text{W}$	$I_f=240\text{mA}$
Electrostatic Discharge	ESD	1000			V	

Note 1: To prevent damage refer to operating conditions and derating curves for appropriate maximum operating conditions

Note 2: Maximum operating case temperature combined with maximum drive current defines the total maximum operating condition for the device. To prevent damage, please follow derating curves for all operating conditions.

Note 3: Mid power LEDs are designed for operation up to an absolute maximum forward drive current as specified below. Product lifetime data is specified at typical forward drive currents. Sustained operation at absolute maximum currents will result in a reduction of device lifetime compared to typical forward drive currents. Actual device lifetimes will also depend on case temperature. Refer to the current vs. case temperature derating curves for further information.

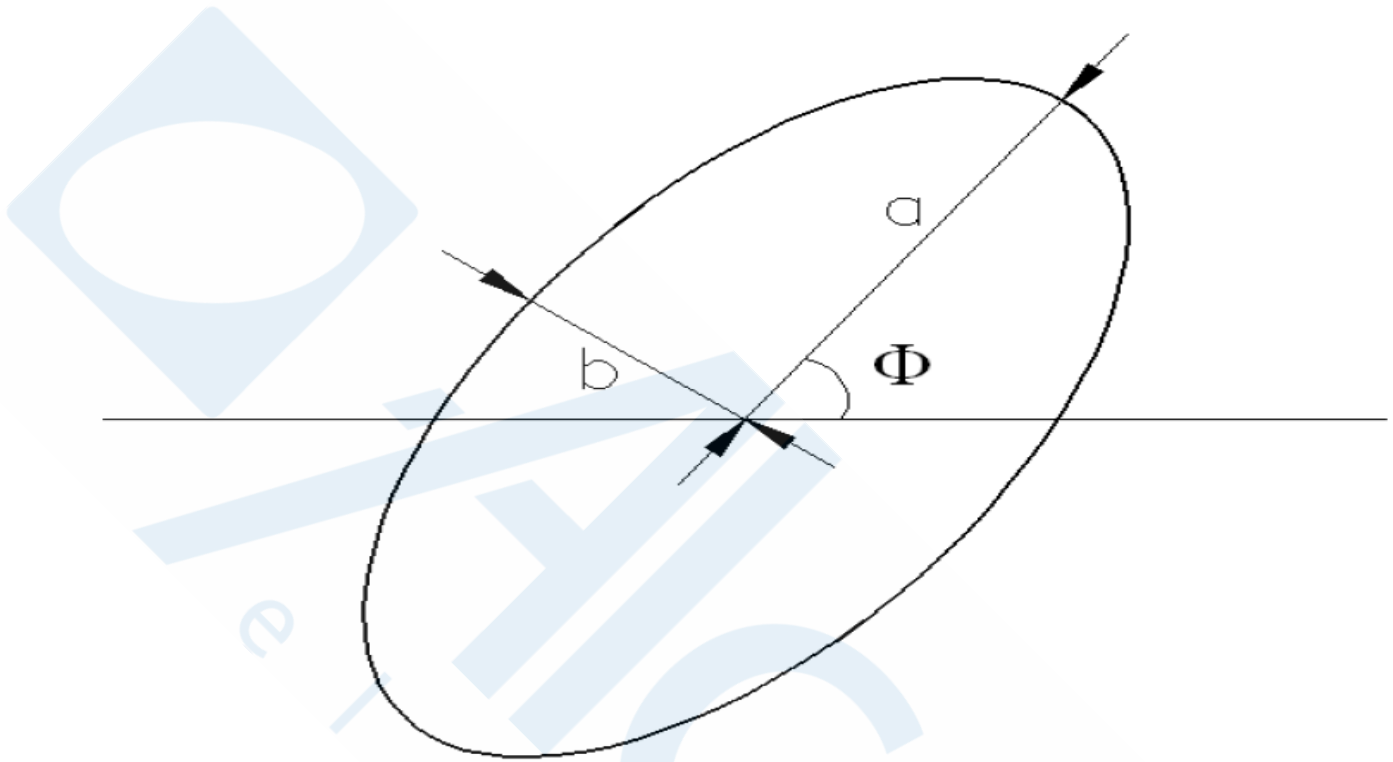
Note 4: Caution must be taken not to stare at the light emitted from these LEDs. Under special circumstances, the high intensity could damage the eye.

Absolute Maximum Ratings

Parameter	Symbol	Rating	Unit
Forward Current	I_f	400	mA
Pulse Forward Current	I_{fp}	600	mA
Power Dissipation	P_d	15200	mW
Reverse Voltage	V_r	5	V
Operating Temperature	T_{opr}	-40~+105	$^\circ\text{C}$
Storage Temperature	T_{stg}	-40~+85	$^\circ\text{C}$
Junction Temperature	T_j	125	$^\circ\text{C}$
Soldering Temperature	T_{sld}	230 $^\circ\text{C}$ or 260 $^\circ\text{C}$ for 10 sec	



CHROMATICITY DIAGRAM

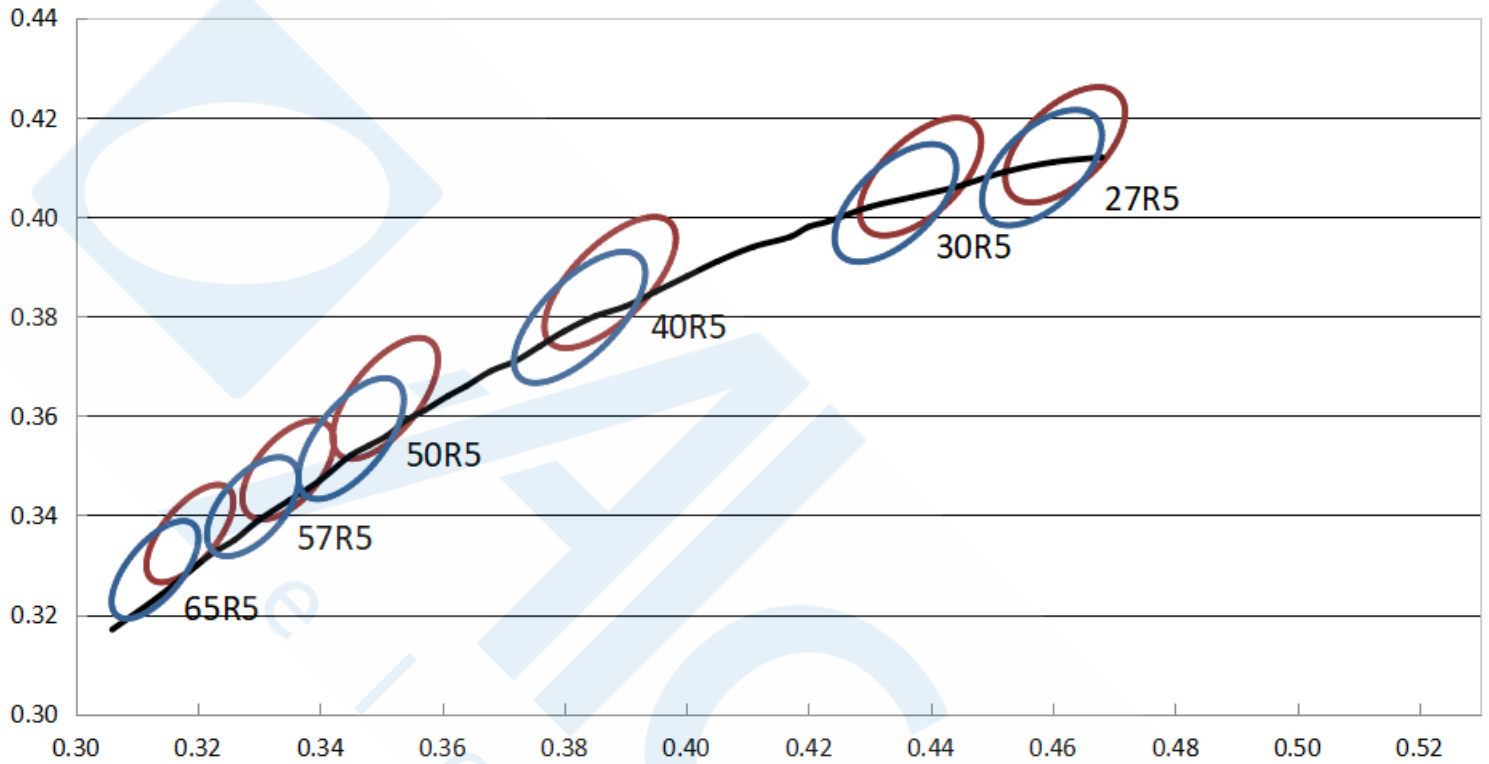




Color Bins

Color Code	Center		Radius		Angle(deg)
	x	y	a	b	Φ
27R5	0.4620	0.4145	0.013500	0.007000	53.42
30R5	0.4383	0.4081	0.013900	0.006800	53.13
40R5	0.3875	0.3868	0.015650	0.006700	53.43
50R5	0.3507	0.3635	0.013700	0.005900	59.37
57R5	0.3348	0.3491	0.011175	0.005500	58.35
65R5	0.3187	0.3363	0.011150	0.004750	58.34



CHROMATICITY COORDINATE GROUP

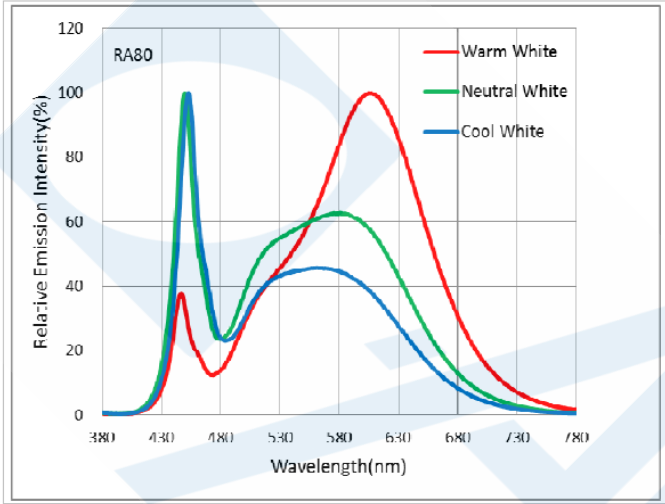


-  $T_j = 25^\circ\text{C}$
-  $T_j = 85^\circ\text{C}$

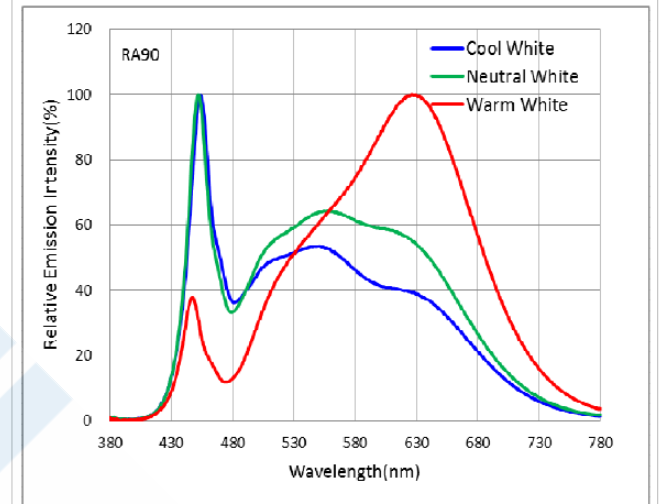


TYPICAL OPTICAL/ELECTRICAL CHARACTERISTICS GRAPHS

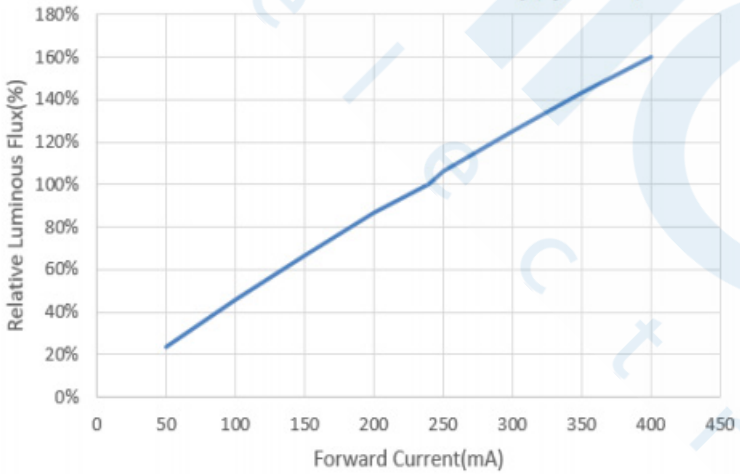
Color Spectrum (Ra≥80 Tj=25oC)



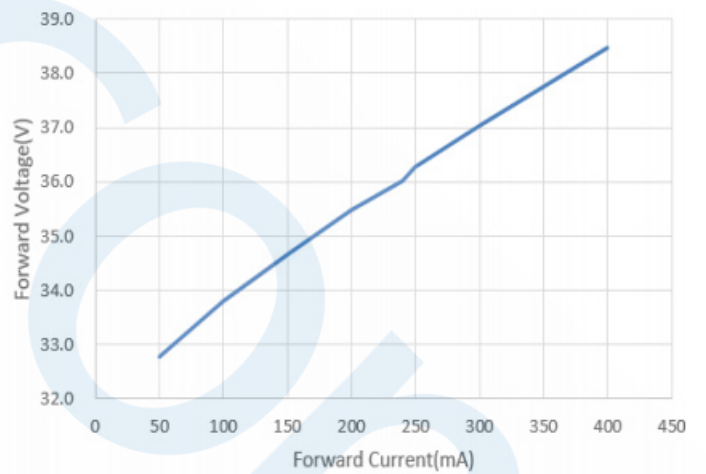
Color Spectrum (Ra≥90 Tj=25oC)



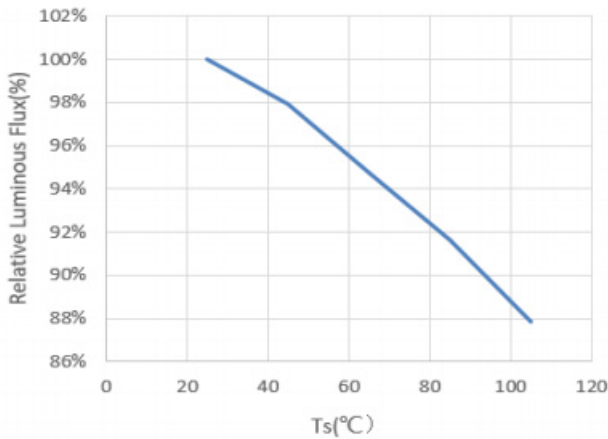
Forward Current vs. Relative Intensity(Tj = 25°C)



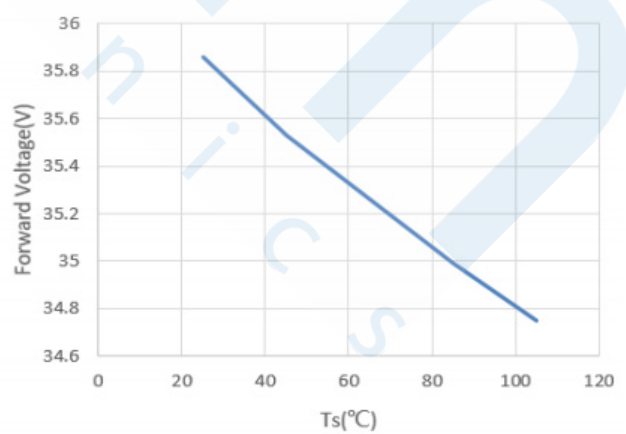
Forward Current vs. Forward Voltage(Tj = 25°C)



Solder Point Temperature vs. Relative Luminous



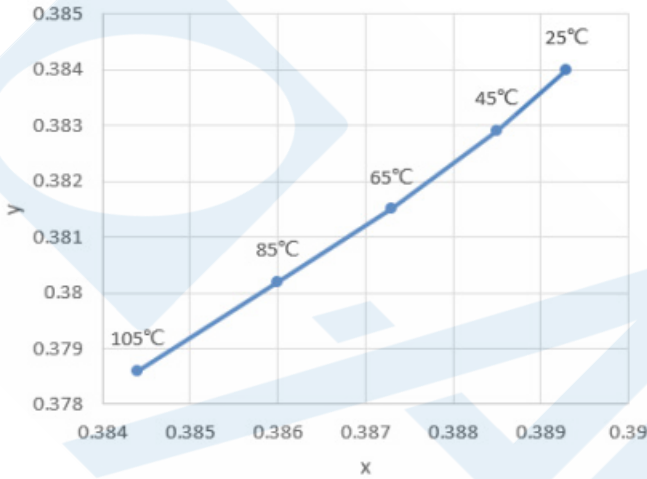
Solder Point Temperature vs. Relative Forward Voltage (IF=150mA)



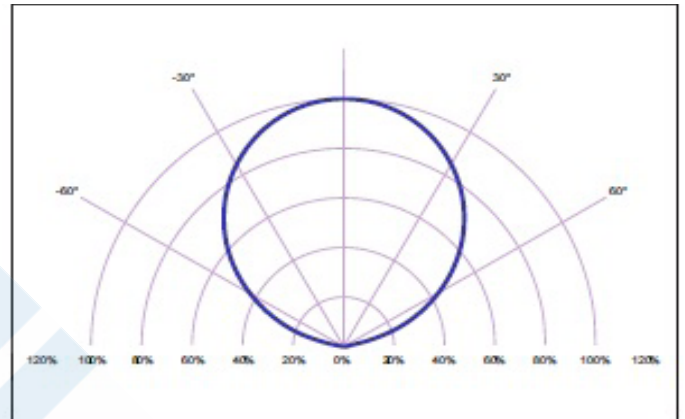


TYPICAL OPTICAL/ELECTRICAL CHARACTERISTICS GRAPHS

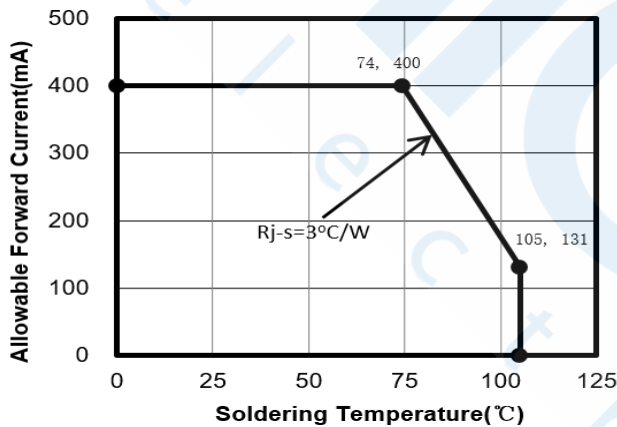
SOLDERING TEMP. VS. CIE X, Y SHIFT



Viewing Angle Distribution (T_j = 25°C)

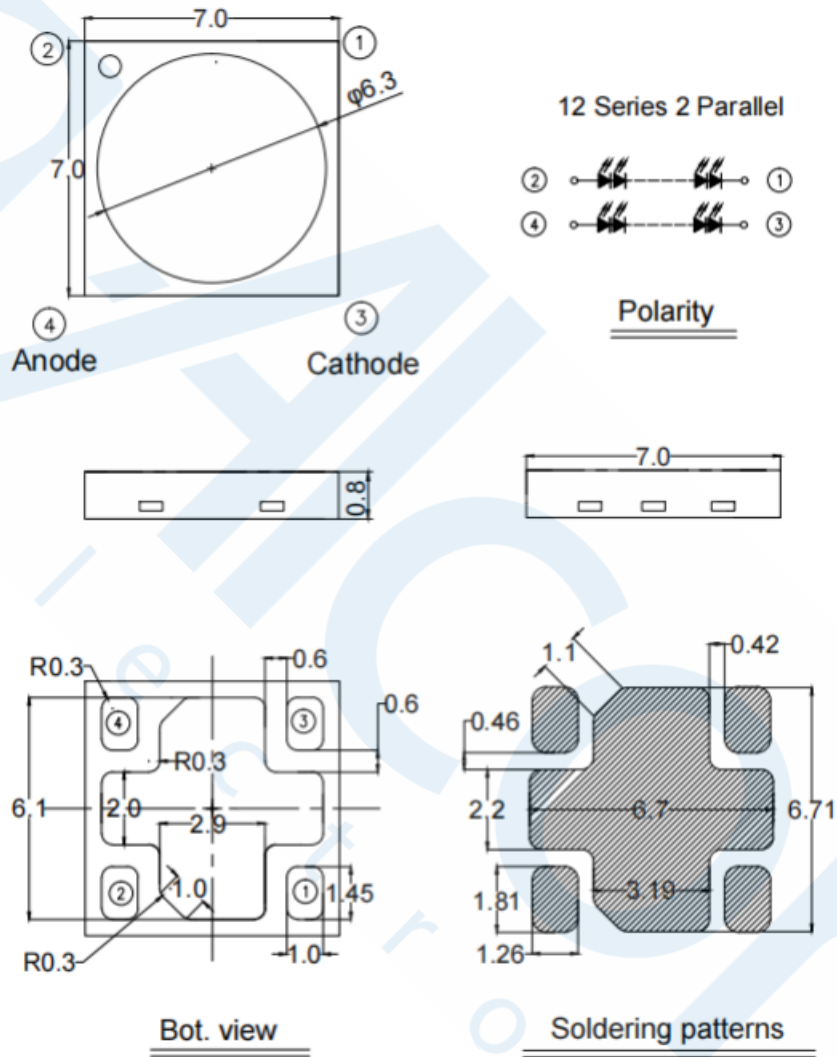


MAX FORWARD CURRENT VS. SOLDERING TEMP.

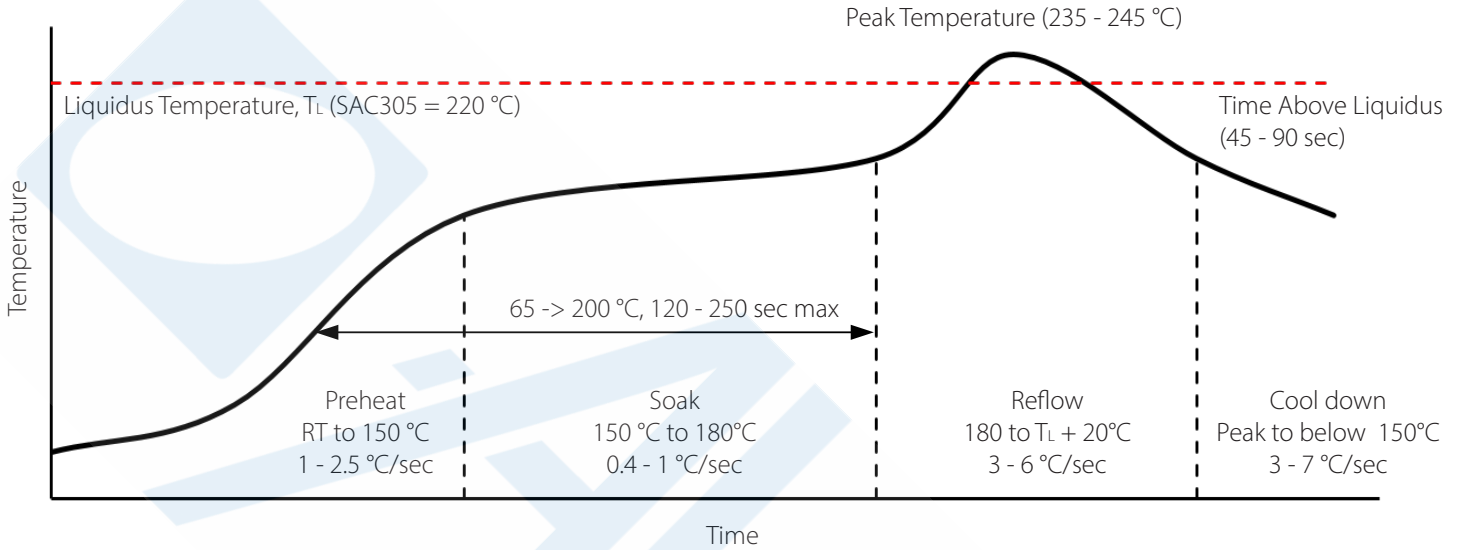




PACKAGE DIMENSION (MM)



SOLDER PROFILE



SMT Rework Guideline	Manual Hotplate Reflow	Hot Air Gun Reflow
Heating Time	< 60 sec	

Note 1: Product complies to Moisture Sensitivity Level 3 (MSL 3).

Note 2: The numbers in the table are specific to SAC305. Luminus recommends using an SAC305 solder paste with a no-clean flux for RoHS compliant products.

Note 3: During the pick and place process, axial forces on the dome (or window) should not exceed 0.5 Newtons (N).

Note 4: Use of a multi-zone IR reflow oven with a nitrogen blanket is recommended.

Note 5: Time-temperature profile of the reflow process showing the four functional profile zones are defined in IPC-7801. Temperature is referenced to the center of the PCB.

Note 6: Luminus recommends to use the solder paste data sheet information as a starting point in time-temperature process development.

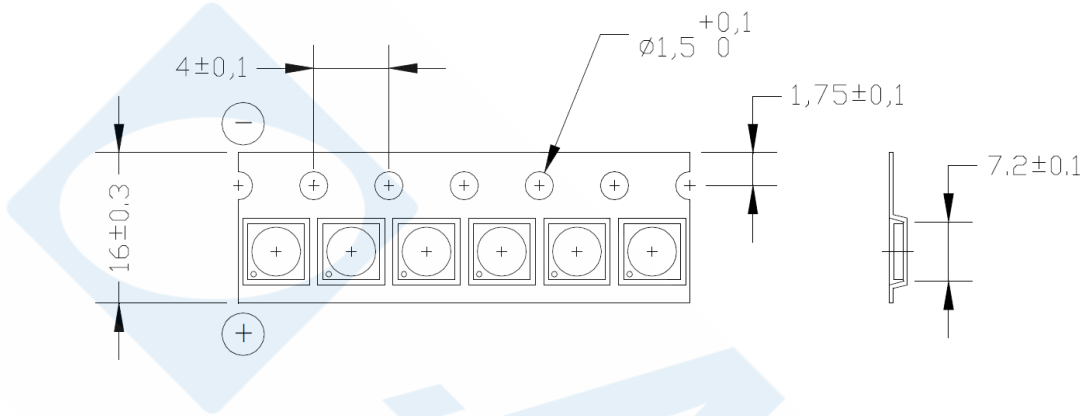
Note 7: These are general guidelines. Consult the solder paste manufacturer's datasheet for guidelines specific to the alloy and flux combination used in your application. For more information, please refer to:

<https://luminusdevices.zendesk.com/hc/en-us/articles/360060306692-How-do-I-Reflow-Solder-Luminus-SMD-Components->

Note 8: For any technical questions about soldering process, please contact Luminus at techsupport@luminus.com.



Package Dimensions of Type(mm)



*Quantity : Max 1000pcs/Reel

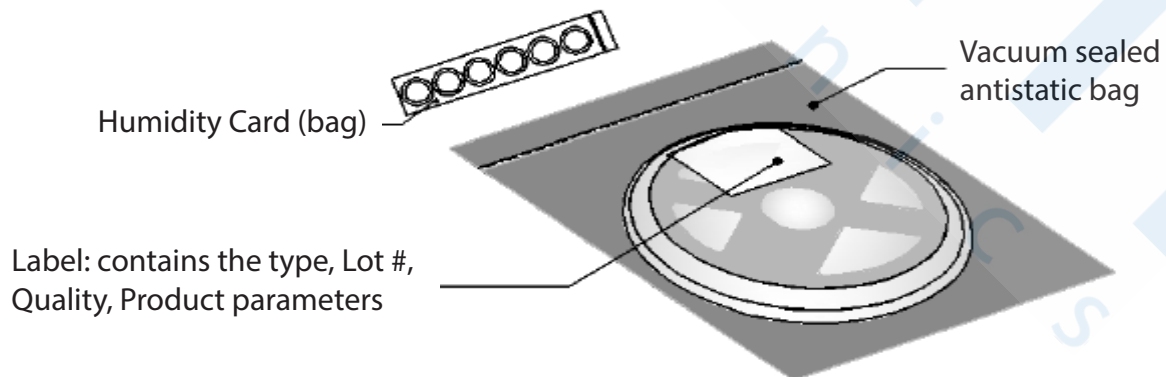
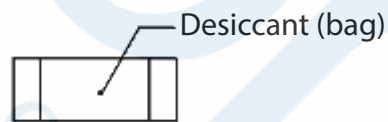
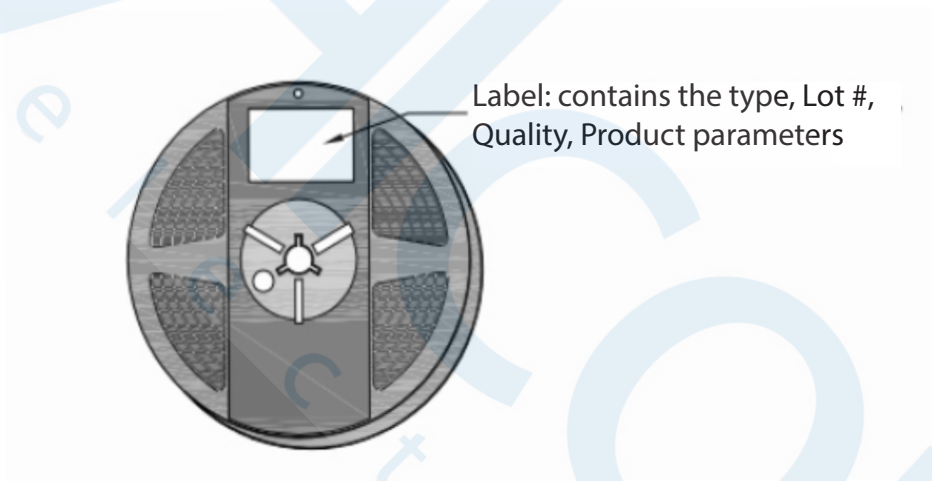
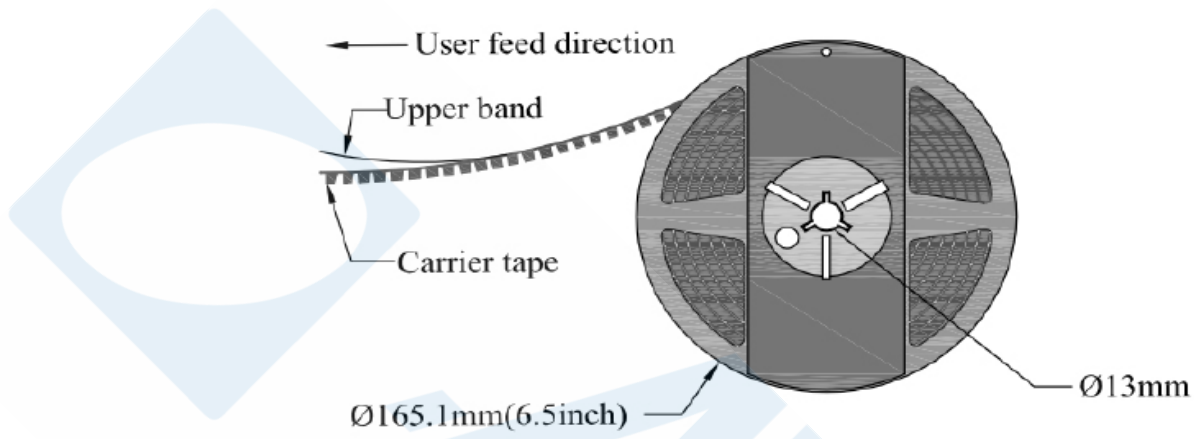
*Cumulative Tolerance : Cumulative Tolerance/10 pitches to be ± 0.2 mm

*Adhesion Strength of Cover Tape Adhesion strength to be 0.1-0.7N when the cover tape is turned off from the carrier tape at the angle of 10° to the carrier tape.

*Package : P/N, Manufacturing data Code No. and Quantity to be indicated on a damp proof Package

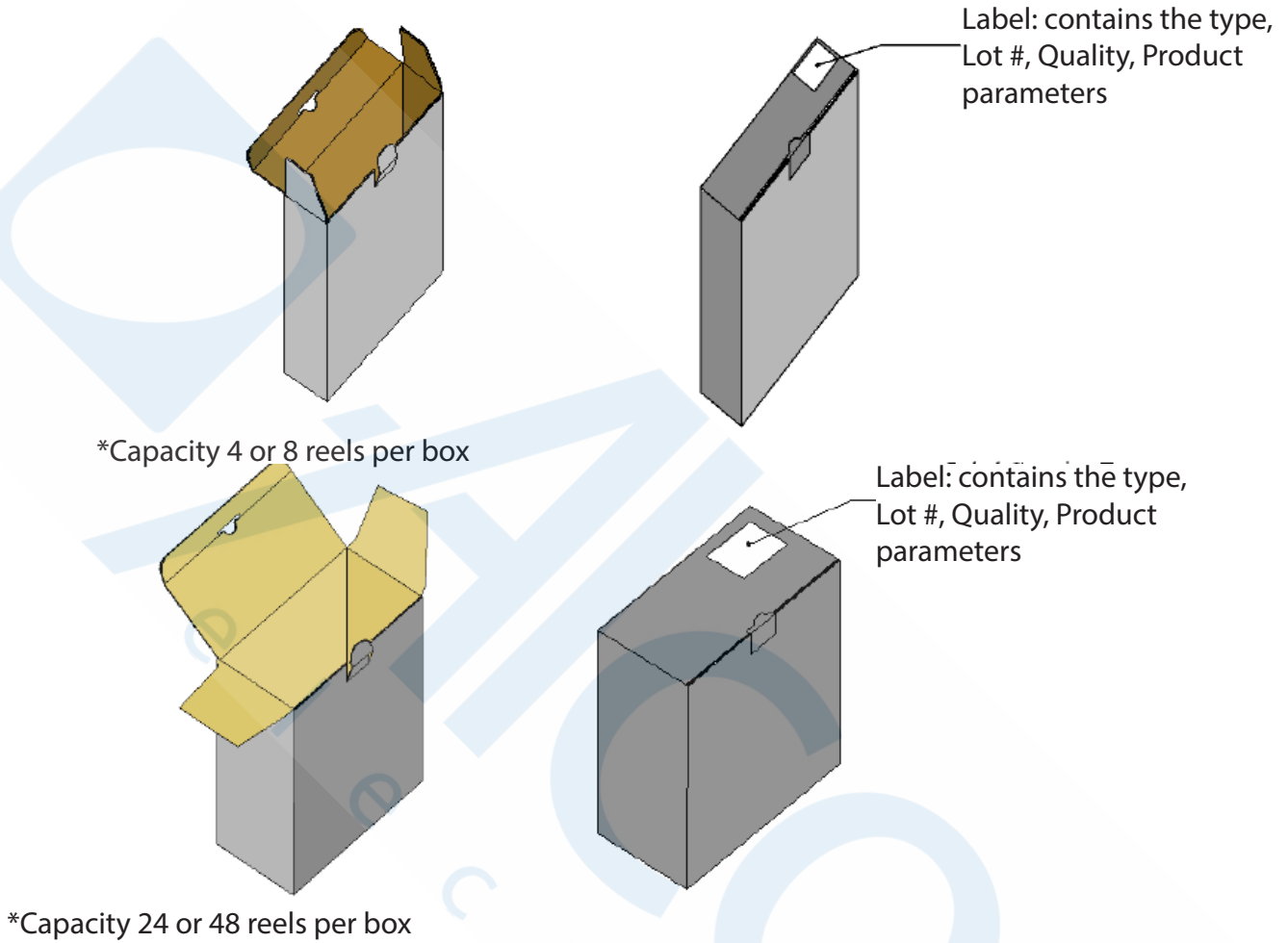


Package Dimensions of Reel(mm)

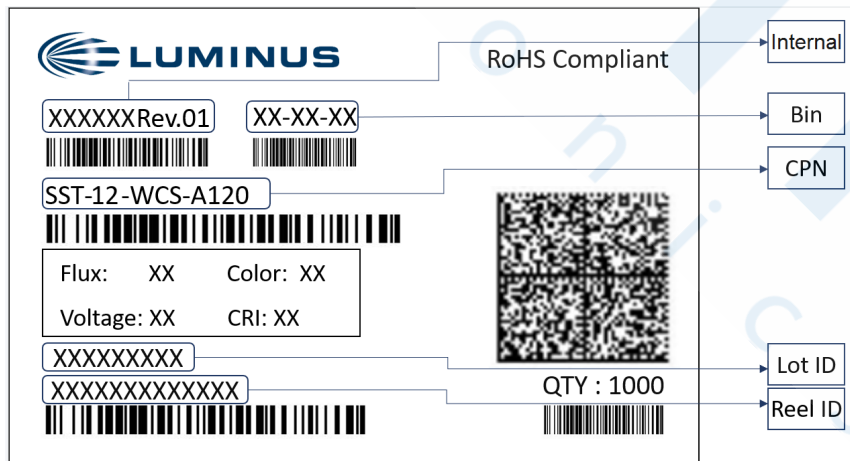




BOX PACKAGING



LABEL





PRECAUTION FOR USE

STORAGE

1. This device is rated at MSL 3 per JEDEC J-STD-020 standard.
2. Recommended storage condition:
At 5 °C- 30 °C and relative humidity 60% RH in its original package
3. After this bag is opened, devices that will be applied to infrared reflow, vapor - phase reflow, or equivalent soldering process must be:
 - a) Completed within 168 hours
 - b) Stored at less than 60%RH
 - c) If not completely used within 168 hours, seal the remaining in the moisture barrier bag
4. Devices require baking before mounting, if 3 a) is not met.
5. If baking is required, devices must be baked under below conditions:
24 hours at 60C+/-5C

STATIC ELECTRICITY

1. The products are sensitive to static electricity, and care should be taken when handling them.
2. Static electricity or surge voltage will damage the LEDs. It is recommended to wear a anti-electrostatic wristband or an anti-electrostatic gloves when handling the LEDs.
3. All devices, equipment and machinery must be properly grounded. It is recommended that measures be taken against surge voltage to the equipment that mounts the LEDs.