



JXT7-11XXNL

INDUSTRIAL RUGGED 10G ETHERNET FOR 5G/LTE MOBILE

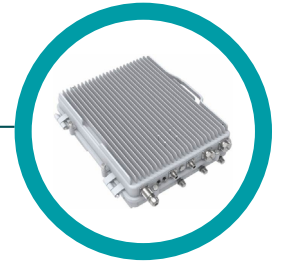
PULSEJACK™ - INTEGRATED CONNECTOR MODULES



Pulse Electronics launches an expanded selection of Pulsejack™, integrated connector modules (ICMs), are ideal for use in the latest LTE and 5G Mobile Wireless Access Points (WAPs) as well as other Industrial and outdoor uses. These new additions expand and complement, the current commercial grade 10Gigabit products, pushing your design boundaries out into the wider operating temperature requirements of -40 to +85°C with the added provision of high power PoE+ up to 90W per IEEE802.3bt or above up to 140W, depending on selected option.

All our PulseJack™ designs provide a “one-component” solution to a discrete design and offers superior EMC; as all the magnetic portion is confined within the RJ45 and it's surrounding shield. The large cavity allows for higher PoE currents up to 1.3Amp to be supported internally without overheating when running under high load. The shield has top and bottom EMI fingers and extra grounding tags for improved EMI, while the front LED, rear signal and mid-section PoE pins maintain adequate separation (in and out), helping to ease EMC and PCB power/signal/ground routing issues.

The 4 pair PoE options can be deployed for both Power supply (PSU) and terminal (PD) equipment for maximum versatility.



KEY APPLICATIONS

Base-Stations and Roof-top Cabinets:

4G, LTE and 6G Mobile Mast and roof-top cabinets, Point-to-Point Datacoms

Industrial / Outdoor:

Factory Servers, Routers and switches, Signage and Video walls, Mobile secure Comms and access points, Imaging, data logging and remote monitoring

FEATURED PRODUCTS

- JXT7-1123NL – 10Gig, 4 channel, no LEDs, non-PoE matched to Broadcom Phy.
- JXT7-1131NL – 10Gig, 5 channel, G-Y/G LEDs, 100W PoE matched to Marvell Phy.
- JXT7-1139NL – 10Gig, 4 channel, G-Y/G LEDs, 140W PoE matched to Broadcom Phy.
- JXT7-1140NL – 10Gig, 4 channel, G-Y/G-Y LED, 100W PoE matched to Broadcom Phy.

FEATURES & BENEFITS

- 10G Ethernet over UTP surpassing IEEE802.3an
- Supports 4 pair PoE power rating from 90W up to 140W
- Bi-Colour LEDs for indicating operating mode
- Rugged Design for industrial and outdoor use
- Single component solution with excellent EMC
- Individual CT Pins for flexible Phy connections

INDUSTRIAL RUGGED 10G ETHERNET FOR 5G/LTE MOBILE

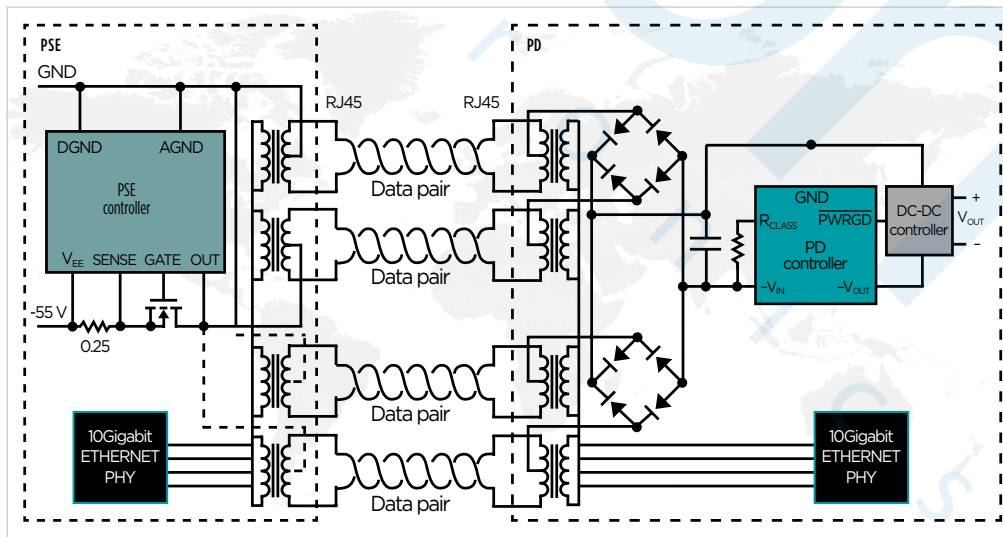
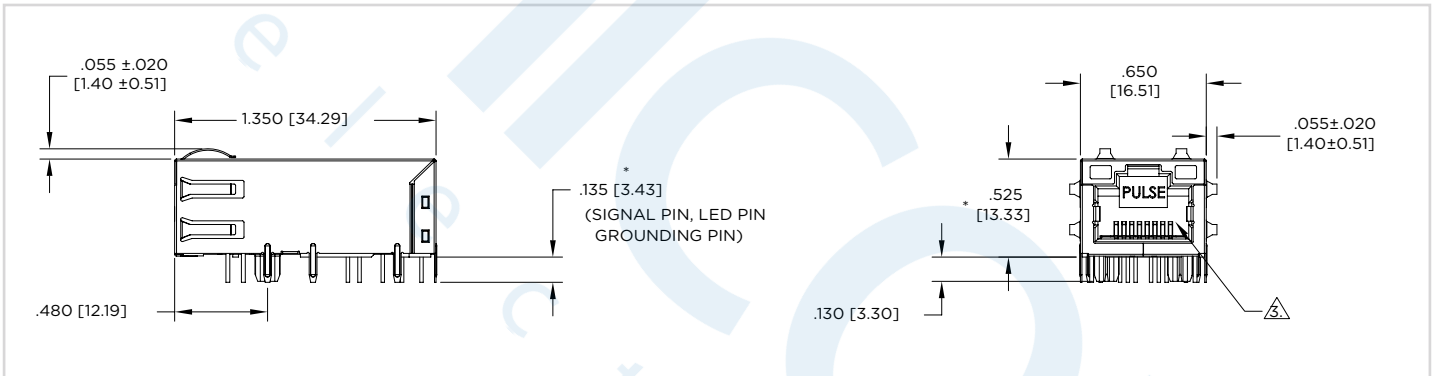
PULSEJACK™ - INTEGRATED CONNECTOR MODULES

Industrial 100Base-Tx and 1000Base-T Ethernet Connector Modules

Part No.	Data Rate	LED Option (Left/Right)	PoE Power Rating (Watts)	PoE Supported	Applications	Temp. Rating
JXT7-1123NL	10GBase-T	None	Non PoE	N/A	N/A	-40°C to +85°C
JXT7-1131NL	10GBase-T	Yellow-Green/Green	100W	4 pair Mode A/B	PSE/PD	-40°C to +85°C
JXT7-1139NL	10GBase-T	Yellow-Green/Green	140W	4 pair Mode A/B	PSE/PD	-40°C to +85°C
JXT7-1140NL	10GBase-T	Yellow-Green x 2	100W	4 pair Mode A/B	PSE/PD	-40°C to +85°C

Pulsejack™ is a registered Trademark of Pulse Electronics inc. - a YAGEO Company
 Contact Pulse FAE's and Sales Team for other package sizes and configurations. Custom option may be considered.

JXT7 PLATFORM FOR 10G-Base-T



• Generic PoE supply and load set up showing DC power and Data supported over 2 and 4 pairs •