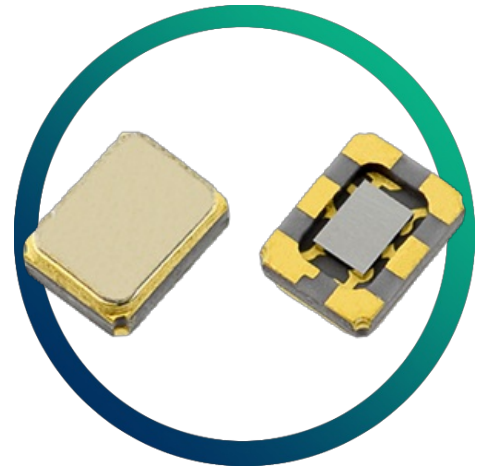


GTXO-163T

1.8V ~ 3.6V SM TCXO

- Ideally suited for wearable applications
- Supply voltages from 1.8V ~ 3.6V
- Low power consumption
- Ultra-miniature SM package
- Excellent frequency stability



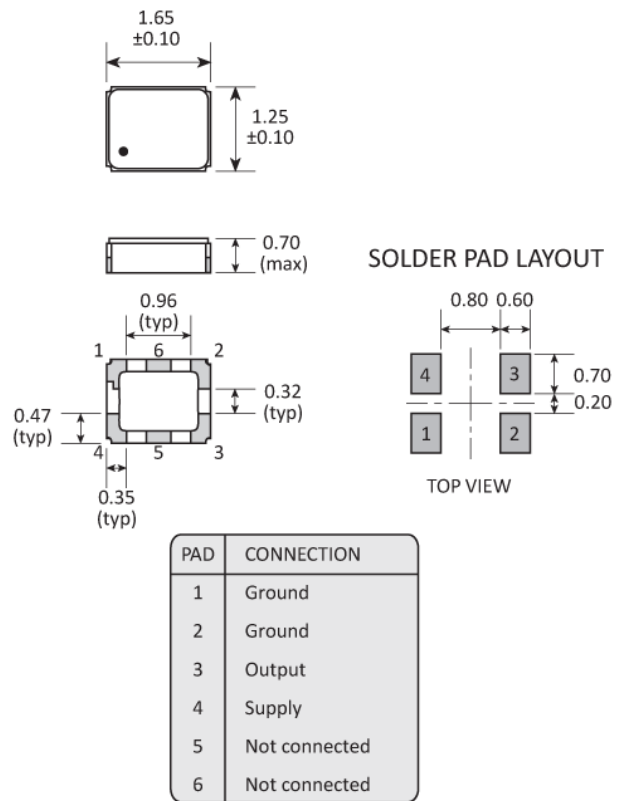
CONFIGURABLE OPTIONS

Parameter	Option Code
Frequency	
Temperature stability	
Any	
±2.5ppm max	J
±1.0ppm max	F
±0.5ppm max	E
Operating temperature range	
Any	
-30 to +85 °C	S
-40 to +85 °C	I
Supply voltage (V _{DD})	
Operable from 1.8V ~ 3.6V, please specify test voltage:	
3.3V	

SPECIFICATIONS

Frequency range	16.0 ~ 52.0MHz
Dimensions	1.65 x 1.25 x 0.7mm
Storage temperature range	-40 to +85 °C
Supply voltage stability	±0.2ppm, V_{DD} ±5%
Load stability	±0.2ppm, Z_L ±10%
Ageing	±1.0ppm max (first year)
Supply voltage (V_{DD})	Operable from 1.8V ~ 3.6V
Supply current	2.0mA max
Output waveform	Clipped sine, 0.8V p-p
Test load (Z_L)	10kΩ // 10pF
Start up time	2.0ms max
Harmonics	-5dBc max
Phase noise	-130dBc/Hz @ 1kHz
Frequency tolerance @ 25 °C	±2.0ppm max after 2 reflows
Net mass	5.09mg

PACKAGE DRAWING



Dimensions in mm

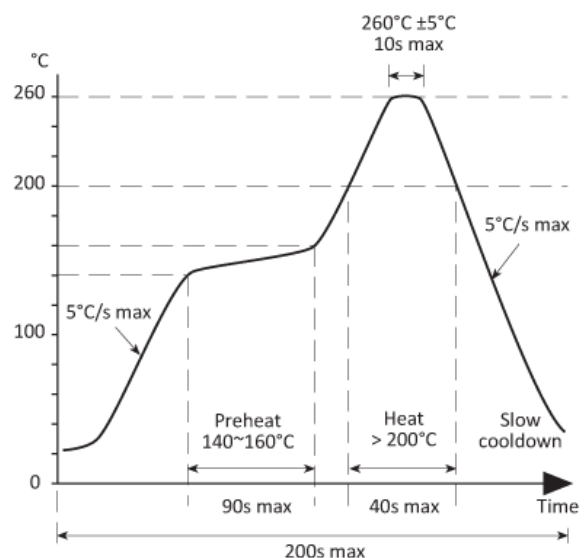
ORDERING INFORMATION

To request a quotation for the GTXO-163T please use the configurable options form to choose the options you require and then submit your configured product to our team. Our expert advisers are always happy to help with your requirements and can be contacted on +44 1460 256 100 or at sales@golledge.com.

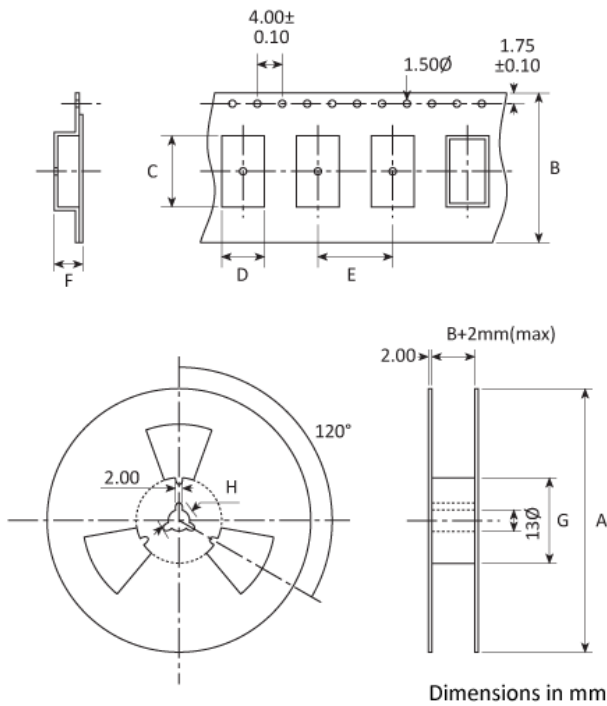
Following product selection you will be issued with a seven character Golledge part number. Your Golledge part number is the internationally accepted Golledge manufacturing part number (MPN) that should be used for all project documentation, including bills of materials (BoMs) and purchase orders.

If you have any queries regarding any of our documentation our dedicated sales team will be happy to help.

SOLDERING PROFILE



TAPE & REEL SPECIFICATION



A:178 / B:8 / C:1.8 / D:1.4 / E:4.0 / F:1.0 / G:61 / H:21

HANDLING & STORAGE



Human Body Model (HBM) 1A (250V to <500V)



Moisture Sensitivity Level (MSL): 2

CONSTRUCTION

Ceramic body with gold-plated pads
Metal lid, seam sealed

COMPLIANCE



Lead-free (< 0.1% by weight)



RoHS compliant with no exemptions. [See our declaration](#)



REACH compliant. [See our statement](#)



Free of conflict minerals. [See our declaration](#)



Free of Halogens. [See our declaration](#)



Free of Ozone-depleting substances. [See our declaration](#)



Singel 3 | B-2550 Kontich | Belgium | Tel. +32 (0)3 458 30 33
info@alcom.be | www.alcom.be
Rivium 1e straat 52 | 2909 LE Capelle aan den IJssel | The Netherlands
Tel. +31 (0)10 288 25 00 | info@alcom.nl | www.alcom.nl