



U3 Ultra Slim Series Adapter



Features

- Up to 50% smaller in size than the regular one*
- Extremely light weight
- $\geq 90\%$ high conversion efficiency meets system energy efficiency requirements
- Standby power saving: meet DoE Level 6, CoC v5 Tier2
- Safety: UL, TUV, CCC, FCC, CE, CB
- Safety Guard: OCP, OVP, OPP, OTP



Singel 3 | B-2550 Kontich | Belgium | Tel. +32 (0)3 458 30 33
 info@alcom.be | www.alcom.be
 Rivium 1e straat 52 | 2909 LE Capelle aan den IJssel | The Netherlands
 Tel. +31 (0)10 288 25 00 | info@alcom.nl | www.alcom.nl

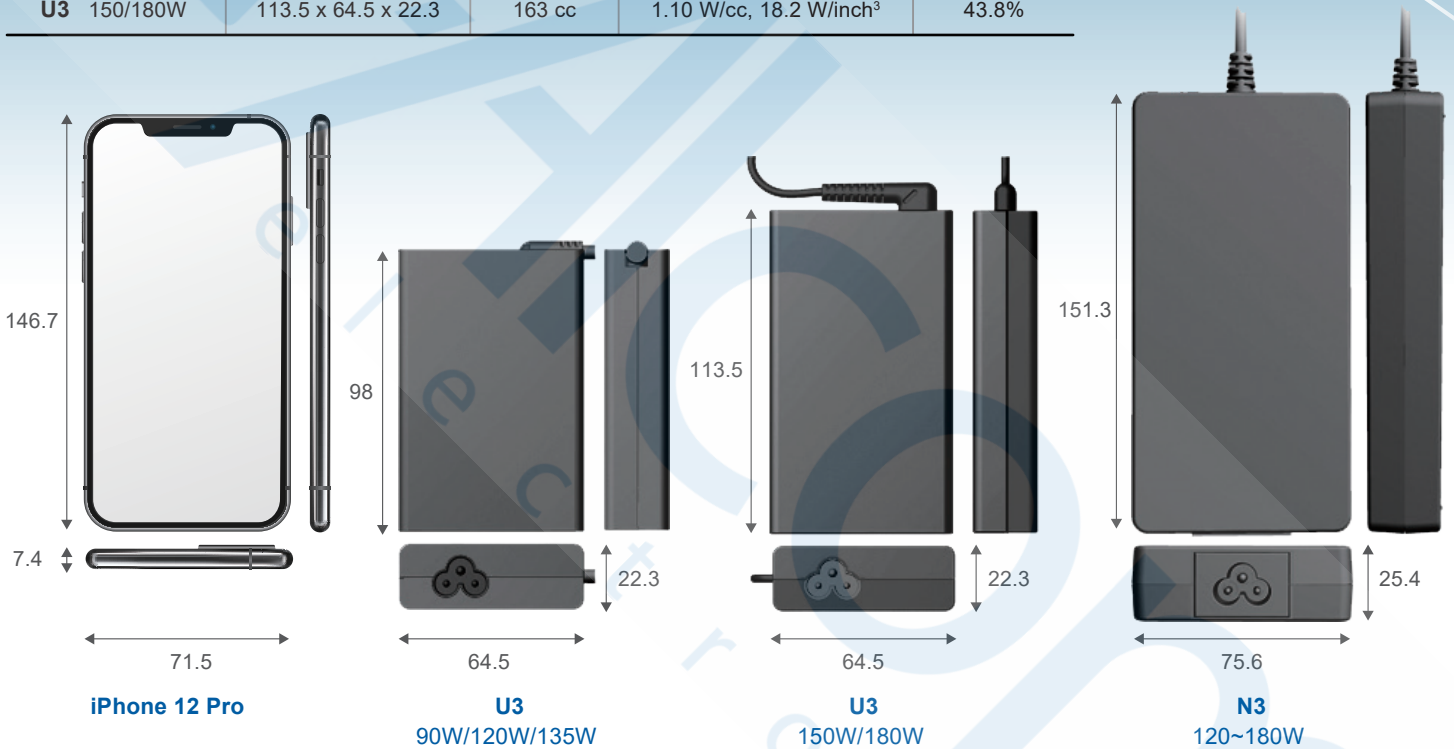
*compared to FSP N3 series models

Applications

- Gaming NB
- AIO Computer
- NUC
- POS Machine

U3 Ultra Slim Series Adapter

Series	Dimension (mm)	Volume	Max. Power Density	Size Reduced
N3 90W	140 x 65.1 x 25.4	232 cc	0.39 W/cc , 6.4 W/inch ³	-
N3 120~180W	151.3 x 75.6 x 25.4	290 cc	0.62 W/cc, 10.0 W/inch ³	-
U3 90W	98 x 64.5 x 22.3	141 cc	0.64 W/cc, 10.5 W/inch ³	39.2%
U3 120/135W	98 x 64.5 x 22.3	141 cc	0.96 W/cc, 15.7 W/inch ³	51.4%
U3 150/180W	113.5 x 64.5 x 22.3	163 cc	1.10 W/cc, 18.2 W/inch ³	43.8%



Model	Output Voltage	Output Current	AC Inlet	Efficiency			OVP
				DOE (Level VI) Mandatory	ErP Lot 7 Mandatory	CoC v5 Tier 2 Voluntary	
FSP090-ABBU3	19.0V	4.74 A	C6	✓	✓	✓	29 V
FSP120-ABBU3	19.0V	6.32 A	C6	✓	✓	✓	29 V
FSP135-AJBU3	19.5V	6.93 A	C6	✓	✓	✓	29 V
FSP150-AJBU3	19.5V	7.70 A	C6	✓	✓	✓	29 V
FSP180-AJBU3	19.5V	9.23 A	C6	✓	✓	✓	29 V

Safety

