

## FSP900M-60PJ

### FEATURES

- 1U size with 240 x 100 x 41 mm
- IEC 60601-1 & IEC 62368-1 certified
- Intel ATX12V V3.0 compliance
- Meet 80 Plus Gold efficiency
- EN55011 class B compliance



### SAFETY STANDARD APPROVAL



Please check certificate schedule before design

### DESCRIPTION

This PSU of AC/DC switching power supplies in a 1U form factor 240 x 100 x 41 mm is capable of delivering 900 watts of continuous power. PSU built-in DC/DC converter at +3.3V and +5V output rails to enhance load regulation. The high-efficiency design complies with 80PLUS GOLD.

### INPUT SPECIFICATIONS

Input voltage:	90-264 VAC
Input frequency:	47-63 Hz
Input current:	9.5 A (rms) @ 115Vac, 60Hz 4.8 A (rms) @ 230Vac, 50Hz

Earth leakage current:	400 $\mu$ A max. @ 264 VAC, 63 Hz
Touch current:	100 $\mu$ A max. @ 264 VAC, 63 Hz

### OUTPUT SPECIFICATIONS

Output voltage/current:	See rating chart.
Maximum output power:	See rating chart.
Ripple and noise:	See rating chart.
Protection	
OVP:	Latch off
OCP & Shorted:	Auto recovery
OTP:	Latch off

### ENVIRONMENTAL SPECIFICATIONS

Operating temperature:	0°C to +50°C
Storage temperature:	-20°C to +80°C
Relative humidity:	10% to 95% non-condensing
Derating:	Derate from 100% at +50°C linearly to 50% at +70°C

### GENERAL SPECIFICATIONS

Turn-on delay time:	2 Sec maxi.
Power factor:	0.95 minimum
Efficiency:	Meet 80PLUS Gold (87%, 90%, 87%)
Hold-up time:	16 mS minimum at 115VAC, 80% load 16 mS minimum at 230 VAC, 80% load
Line regulation:	$\pm$ 1% maximum at full load
Inrush current:	No damage to power supply
Withstand voltage:	4000 VAC from input to output (2 MOPP) 1500 VAC from input to ground (1 MOPP) 1500 VAC from output to ground

### EMC Performance (IEC60601-1-2)

EN55011:	Class B conducted, Class B radiated
EN61000-3-2:	Harmonic distortion, Class A
EN61000-3-3:	Line flicker
EN61000-4-2:	ESD, $\pm$ 15 KV air and $\pm$ 8 KV contact
EN61000-4-3:	Radiated immunity, 9-28 V/m
EN61000-4-4:	Fast transient/burst, $\pm$ 2 KV
EN61000-4-5:	Surge, $\pm$ 1 KV diff., $\pm$ 2 KV com.
EN61000-4-6:	Conducted immunity, 3-6 Vrms
EN61000-4-8:	Magnetic field immunity, 30 A/m
EN61000-4-11:	Voltage dip immunity, 30% reduction for 500 ms, >100% reduction for 10 ms

## OUTPUT VOLTAGE/CURRENT RATING CHART

Outputs	FSP900M-60PJ		Load Regulation	Ripple & Noise <sup>3</sup>
	Mini. Load	Maxi. Load		
+3.3 V	0 A	20 A	±5%	50 mV P-P
+5 V	0 A	20 A	±5%	50 mV P-P
+12 V1	0 A	74.91 A	±5% <sup>2</sup>	120 mV P-P
-5 V <sup>1</sup>	0 A	0.2 A	±10%	100 mV P-P
-12 V	0 A	0.3 A	±10%	120 mV P-P
+5 Vsb	0 A	3 A	±5%	50 mV P-P
+3.3 V & +5 V Combine Output Power	120W Maxi.			
+12V Total Output Power Maxi.	899W			
Total Output Power	900W			

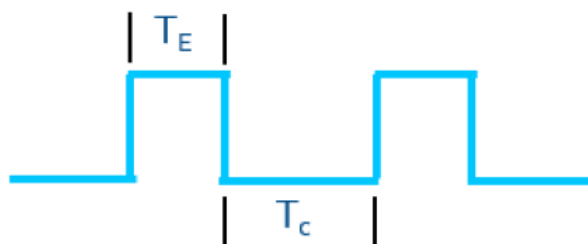
### NOTES:

- 5V is not for standard model but upon request.
- Load regulation -7% minimum at peak load conditions.
- Ripple and noise measurements shall be made under all specified load conditions through a single pole low pass filter with 20MHz cutoff frequency. Outputs shall be bypassed at the connector with a 0.1uF ceramic disk capacitor and a 10uF electrolytic capacitor to simulate system loading..

## Power Excursion

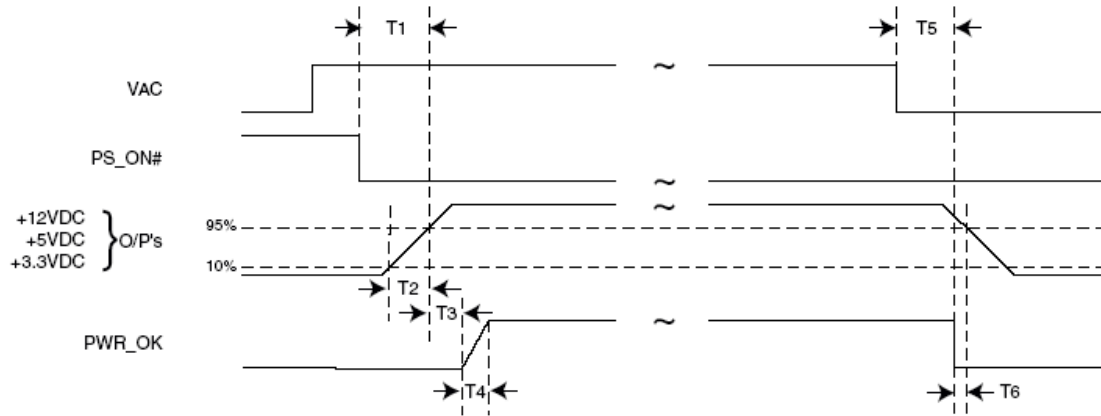
Based on the power budgets and peak power of both the Processor detailed and the PCIe\* Add-in Cards, the following Peak Power Requirements are defined for the Power Supply.

Power Excursion % of PSU Rated Size	Time for Power Excursion (TE)	Testing Duty Cycle	Time Constant (TC)
100%	Infinite		
120%	100ms	25%	300ms
160%	10ms	12.5%	70ms
180%	1ms	8%	11.5ms
200%	100us	5%	1900us



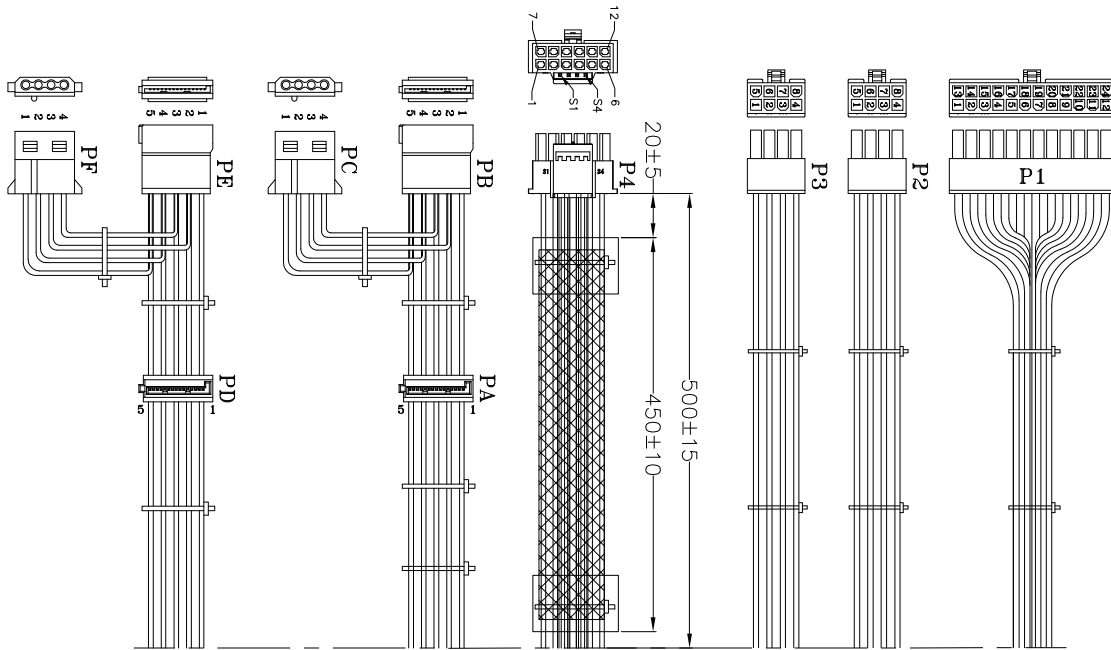
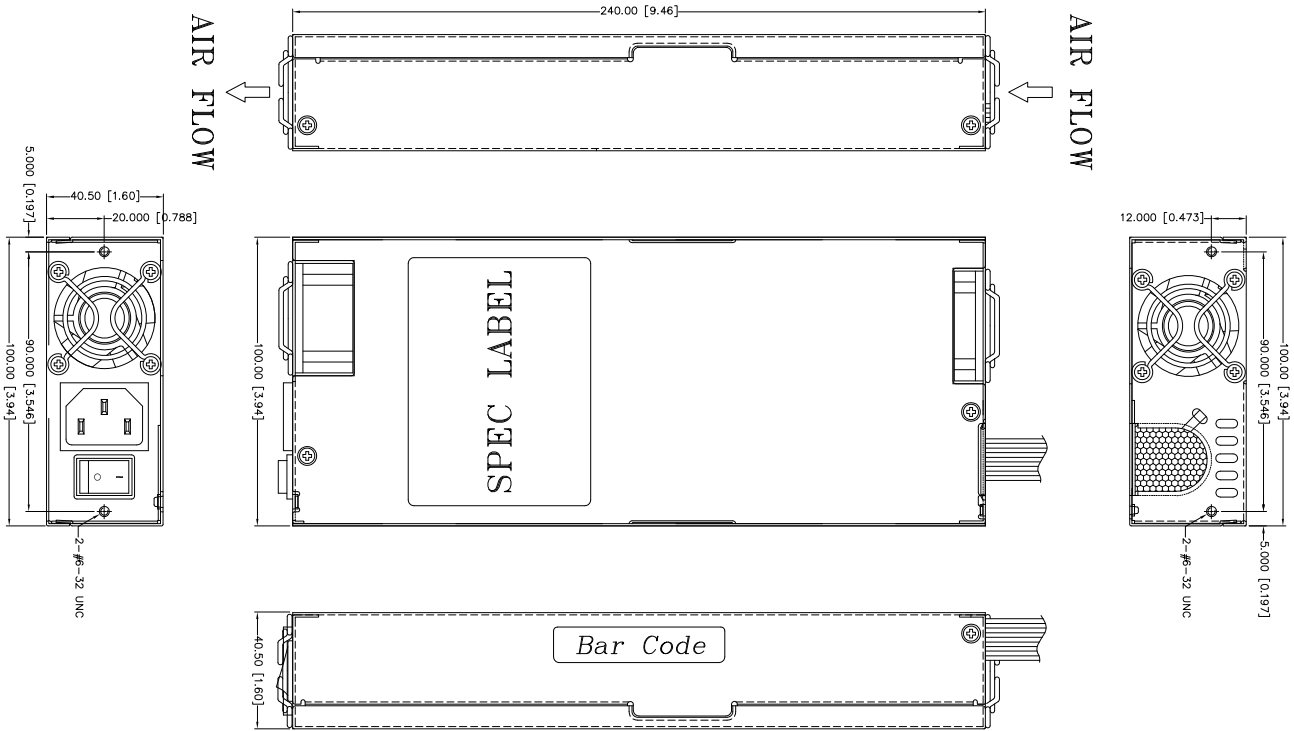
## INTERFACE SIGNALS

The electrical and timing characteristics of the PWR\_OK signal are given in table.



Signal Type	+5 V TTL compatible
Logic level low	< 0.4 V while sinking 4 mA
Logic level high	Between 2.4 V and 5 V output while sourcing 200 $\mu$ A
High-state output impedance	1 k $\Omega$ from output to common
Power-on time	$T_1 < 200$ ms
Rise time	$0.1 \text{ ms} \leq T_2 \leq 20$ ms
PWR_OK delay	$100 \text{ ms} < T_3 < 250$ ms
PWR_OK rise-time	$T_4 \leq 10$ ms
AC loss to PWR_OK hold-up time	$T_5 \geq 16$ ms
Power-down warning	$T_6 \geq 1$ ms

## MECHANICAL SPECIFICATIONS



Output connectors	Connector ID.	Cable Length	Output connectors (equivalent)
Mother board 24 pin	P1	500 mm	WST P24-I42002
CPU 8 pin	P2, P3	500 mm * 2	WST P8-I42002
PCI-e Gen 5	P4	500 mm	WST PD12-I30006FS4Z-B
SATA + PATA	PA + PB + PC PD + PE + PF	(500+155+155 mm) * 2	MOLEX SD-67926-0311 MOLEX SD-67582-001 WST P4-A10202

Weight: 1.6 Kg