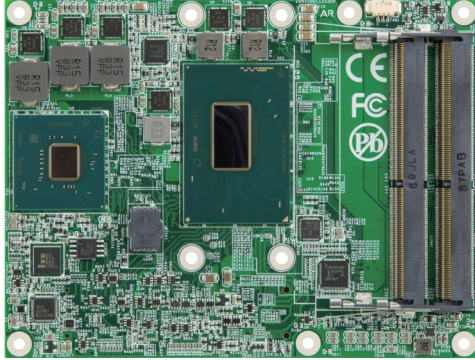


EmETXe-i91M0



Intel® 8th Generation Intel® Core™ i7-8850H/ i5-8400H /i3-8100H Processor
COM Express® Basic Type 6 CPU Module



Features

- Soldered onboard 8th Generation Intel® i7/i5/i3 processors
- Intel WGI219LM PCIe GbE PHY w/ iAMT
- Dual Channels 24-bit LVDS or Analog RGB
- Support 3 independent displays
- 8.5V~20V Wide Range Voltage Input
- Support Intel® Solid State Drive (SSD) Embedded "E SKU's
- **Wide Range Operating Temp.: -40 ~ 85°C**

System

| | |
|----------------|---|
| CPU | Soldered onboard 8 th Gen Intel® Core™ i7-8850H 2.6GHz(Base)/ 4.3GHz(Turbo) or i5-8400H 2.5GHz(Base)/ 4.2GHz(Turbo) or i3-8100H 3.0GHz(Base) processor |
| Chipset | Soldered onboard Intel QM370 PCH |
| Memory | 2 x DDR4 SO-DIMM sockets |
| BIOS | Legacy Free |
| Watchdog Timer | 1~255 levels reset |

I/O

| | |
|------------------|---|
| USB Port | 12 x USB ports: - 8 x USB 2.0 ports - 4 x USB 3.1 ports |
| Serial Port | 2 x UART ports (RX/TX only) |
| Expansion Bus | 8 x PCIe1 lanes, 1 x PEGx16 lane, I2C Interface |
| DIO | 8-bit Digital Input/Output |
| Storage | 4 x Serial ATA ports with 600MB/s HDD transfer rate |
| Ethernet Chipset | 1 x Intel® i219LM PCIe GbE PHY |
| Audio | HD audio link |
| TPM | Supports TPM (OEM Request) |

Display

| | |
|-------------------|---|
| Graphic Chipset | Integrated Intel® UHD Graphics 630 |
| Graphic Interface | LCD: Dual Channels 24-bit LVDS/ 3 x DDI port or Analog RGB/ 2 x DDI ports |

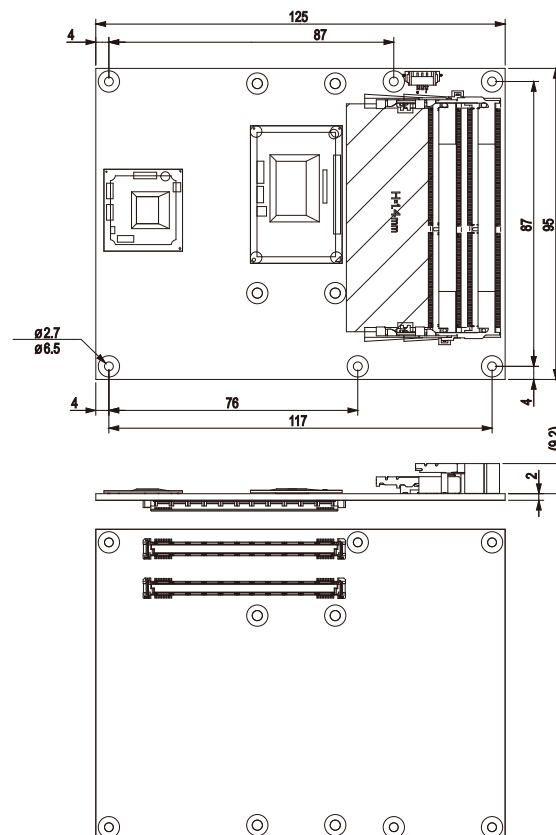
OS support

Windows 10 64-bit
Linux: Ubuntu

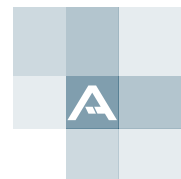
Mechanical & Environmental

| | |
|--------------------|---|
| Power Requirement | 8.5V~20V +/- 5% wide range voltage input, +5VSB |
| Power Consumption | 8.93A@12V(i7-8850H Typical) |
| Operating Temp. | -40 ~ 85°C (-40 ~ 185°F) |
| Operating Humidity | 10 ~ 95% @ 85°C (non-condensing) |
| Dimensions (L x W) | 125 x 95 mm (4.9" x 3.7") |

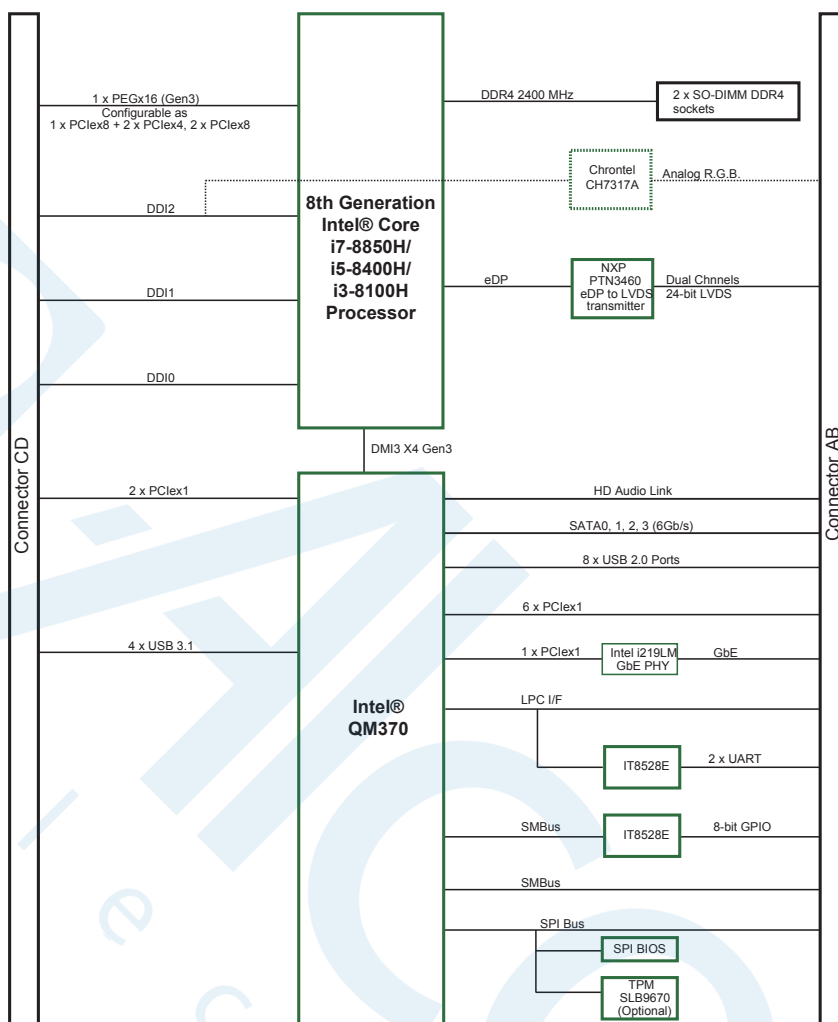
Dimensions



Unit: mm



Block Diagram



Ordering Information

| | |
|---------------------------|--|
| EmETXe-i91M0-WT-8850H | 8 th Generation Intel® Core™ i7-8850H, w/o Analog RGB WT COM Express® Basic Type 6 CPU Module |
| EmETXe-i91M0-WT-8850H-RGB | 8 th Generation Intel® Core™ i7-8850H, w/ Analog RGB WT COM Express® Basic Type 6 CPU Module |
| EmETXe-i91M0-WT-8400H | 8 th Generation Intel® Core™ i5-8400H, w/o Analog RGB WT COM Express® Basic Type 6 CPU Module |
| EmETXe-i91M0-WT-8400H-RGB | 8 th Generation Intel® Core™ i5-8400H, w/ Analog RGB WT COM Express® Basic Type 6 CPU Module |
| EmETXe-i91M0-WT-8100H | 8 th Generation Intel® Core™ i3-8100H, w/o Analog RGB WT COM Express® Basic Type 6 CPU Module |
| EmETXe-i91M0-WT-8100H-RGB | 8 th Generation Intel® Core™ i3-8100H, w/ Analog RGB WT COM Express® Basic Type 6 CPU Module |

Optional Accessories

| | |
|----------------|--|
| HS-91M0-C1 | Heat sink with Fan, with PAD (125x95x50mm) |
| PBE-1705-F1 | COM Express® Type 6 evaluation carrier board with SIO F71869ED module in ATX form factor |
| CBK-03-1705-00 | Cable kit 1 x SATA cable 2 x Serial Port cables |