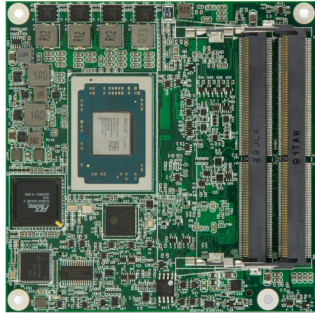


EmETXe-a10R0

AMD Ryzen Embedded R1000 R1606G/R1505G
 COM Express® Compact Type 6 CPU Module



Features

- Soldered onboard AMD R1606G/R1505G APU Processor
- Integrated Gigabit Ethernet
- Dual Channels 24-bit LVDS or 1 x DP port, 2 x DDI ports
- Support 3 independent displays

System

| | |
|----------------|---|
| CPU | Soldered onboard AMD Ryzen R1000 R1606G 2.6GHz(Base)/ 3.5GHz (Turbo) or R1505G 2.4GHz(Base)/ 3.3GHz (Turbo) processor |
| Memory | 2 x DDR4 ECC SO-DIMM sockets, supporting up to 32GB SDRAM |
| BIOS | AMI UEFI BIOS |
| Watchdog Timer | 1~255 levels reset |

I/O

| | |
|------------------|---|
| USB Port | 10 x USB ports: - 8 x USB 2.0 ports - 2 x USB 3.1 ports |
| Serial Port | 2 x UART ports (RX/TX only) |
| Expansion Bus | 6 x PCIe x1 lanes 1 x PCIe x4 lane, LPC, SPI |
| DIO | 8-bit Digital Input/Output |
| Storage | 2 x Serial ATA ports with 600MB/s HDD transfer rate |
| Ethernet Chipset | 1 x Intel® i210IT GbE controller |
| Audio | HD audio link |
| TPM | Supports TPM 2.0 SLB9665TT |

Display

| | |
|-------------------|---|
| Graphic Chipset | Integrated Vega Core Graphics controller |
| Graphic Interface | Dual Channels 24-bit LVDS, with resolution up to 1920 x 1200 @60Hz 2 x DDI ports |

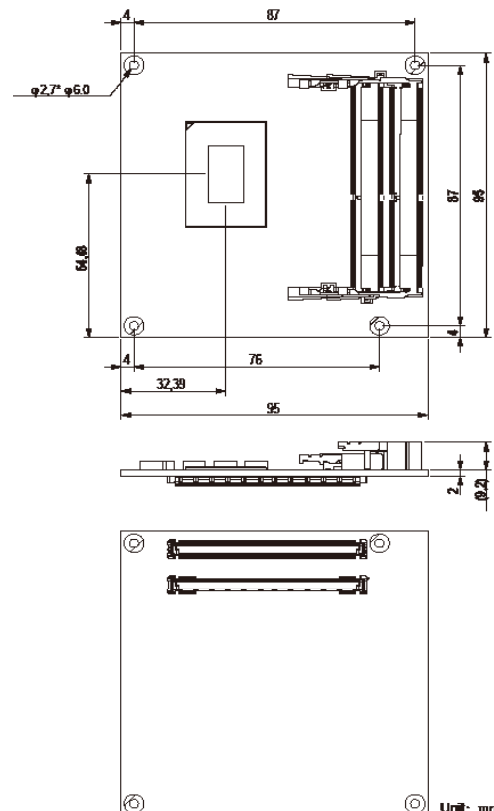
OS support

Windows 10 64-bit
 Linux: Ubuntu

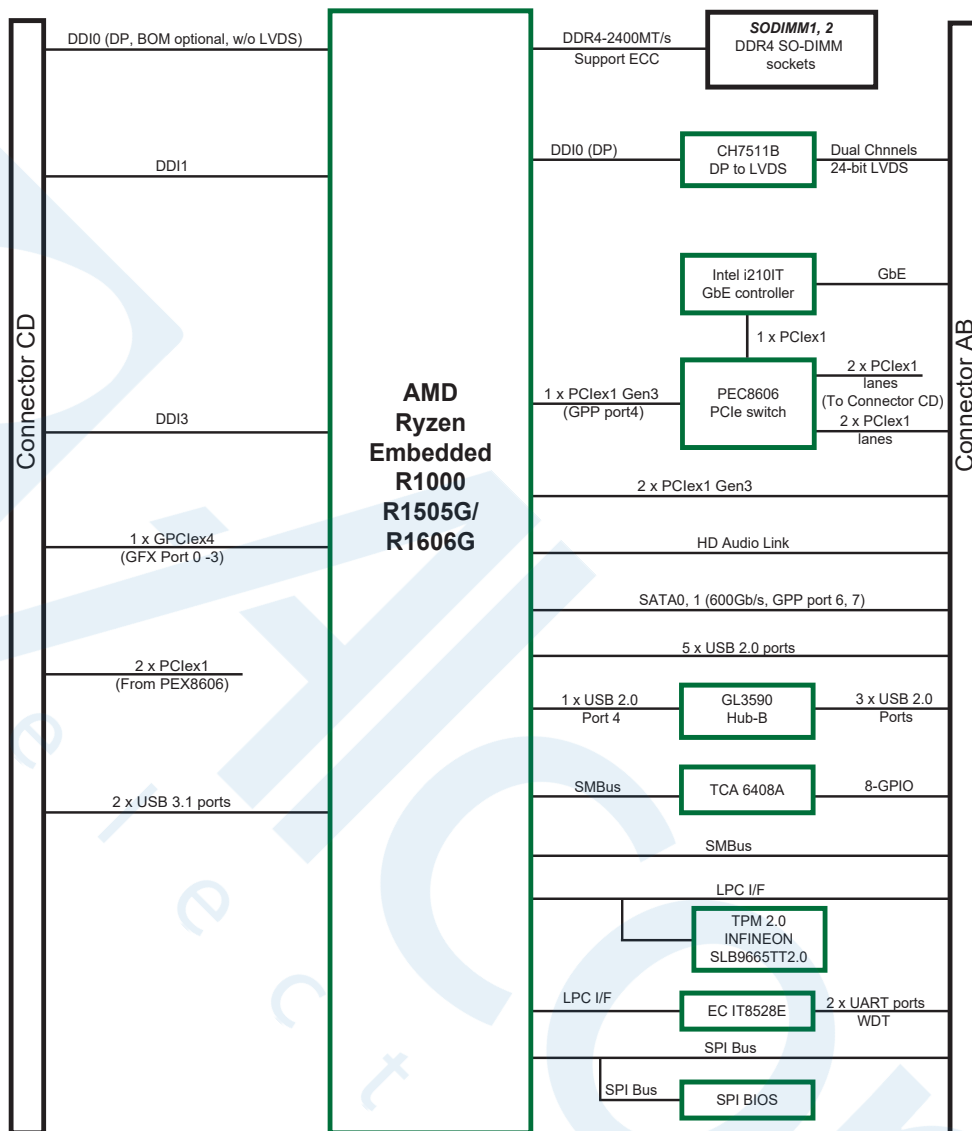
Mechanical & Environmental

| | |
|--------------------|--|
| Power Requirement | 8.5V~20V wide range voltage input, +5VSB |
| Power Consumption | 1.92A@12V (R1606G typical) |
| Operating Temp. | -20 ~ 70°C |
| Operating Humidity | 10 ~ 95% @ 70°C (non-condensing) |
| Dimensions (L x W) | 95 x 95 mm (3.7" x 3.7") |

Dimensions



Block Diagram



Ordering Information

| | |
|---------------------|--|
| EmETXe-a10R0-R1606G | AMD Ryzen Embedded R1000 R1606G COM Express® Compact Type 6 CPU Module |
| EmETXe-a10R0-R1505G | AMD Ryzen Embedded R1000 R1505G COM Express® Compact Type 6 CPU Module |

Optional Accessories

| | |
|---------------|--|
| HS-10M0-F2-T | Heat spreader, with threaded standoffs (95x95x11mm) |
| HS-10M0-F2-NT | Heat spreader, without threaded standoffs (95x95x11mm) |
| HS-10M0-C1 | Heat sink with Fan, PAD (95x95x51mm) |
| PBE-1705-F1 | COM Express® Type 6 evaluation carrier board with SIO F71869ED module in ATX form factor |

| | |
|----------------|---------------------------------------|
| CBK-03-1705-00 | Cable kit |
| | 1 x SATA cable 2 x COM Flat cables |