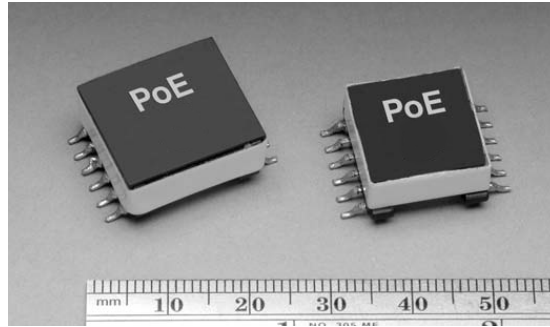


Power Over Ethernet (PoE)/PD

Configurable flyback transformer



Product features

- Versatile design allows multiple output variations
- Flyback topology, 250 kHz switching frequency
- Input range from 29.5 V- 60.0 V
- 1500 Vac isolation between primary and secondary
- Three power levels: 4, 7 and 13 watts
- Low leakage inductance
- 11.0 V @ 0.10 A feedback winding
- Ferrite core material

Applications

- For IEEE 802.3af-compliant Power-over-Ethernet applications
- UPS, VoIP phone, Wireless LAN access point, Bluetooth access point, Network camera, Building access systems
- Retail point-of-information systems
- Vending and gaming machines

Environmental data

- Storage temperature range (component): -40 °C to +125 °C
- Operating temperature range: -40 °C to +125 °C (ambient plus self-temperature rise)
- Solder reflow temperature: J-STD-020 (latest revision) compliant



Product specifications

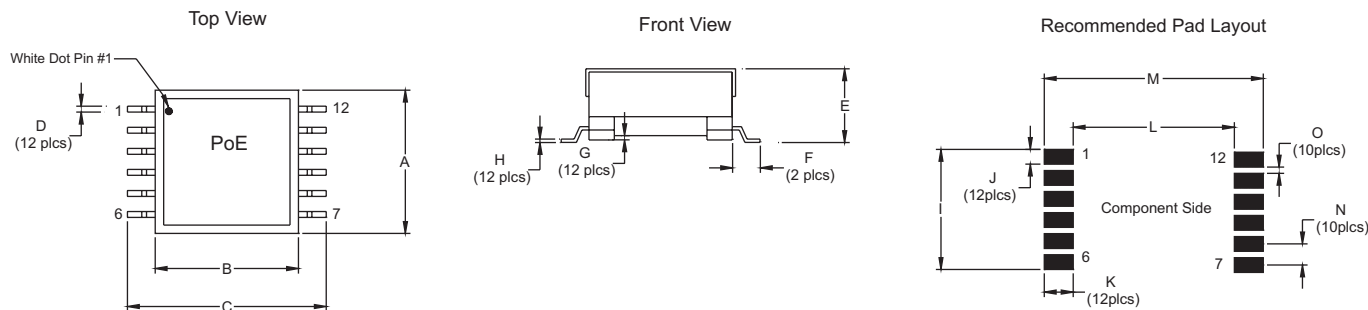
Part Number	Watts	Inductance (μH)	Output	DCR/ PRI (Ω)	DCR/ SEC (Ω)	Leakage Inductance (μH) typ.	Pri Current Pk (A dc)	Turn Ratio		Schematic	Dimensions
								Schematic 1: Pins pri(1-3):fb(5-6):v1(12-7):v2(11-8):v3(10-9)	Schematic 2: Pins pri(1-3):fb(5-6):v1(12-10):v2(11-9)		
PoE4W3x3.3-R	4	200	(3)x3.3V@0.45A	0.500	0.07	2.75	0.65	1 : 0.52 : 0.16 : 0.16 : 0.16 ±1%		1	Size 1
PoE4W3x5.0-R	4	200	(3)x5.0V@0.30A	0.500	0.27	2.50	0.65	1 : 0.52 : 0.26 : 0.26 : 0.26 ±1%		1	Size 1
PoE4W2x12-R	4	200	(2)x12.0V@0.20A	0.500	0.740	1.40	0.65	1 : 0.52 : 0.60 : 0.60 ±1%		2	Size 1
PoE7W3x3.3-R	7	100	(3)x3.3V@0.75A	0.275	0.03	1.00	1.00	1 : 0.529 : 0.176 : 0.176 : 0.176 ±1%		1	Size 1
PoE7W3x5.0-R	7	100	(3)x5.0V@0.50A	0.275	0.095	1.00	1.00	1 : 0.529 : 0.265 : 0.265 : 0.265 ±1%		1	Size 1
PoE7W2x12-R	7	100	(2)x12.0V@0.30A	0.275	0.250	1.00	1.00	1 : 0.529 : 0.588 : 0.588 ±1%		2	Size 1
PoE13W3x3.3-R	13	100	(3)x3.3V@1.35A	0.250	0.032	1.50	1.60	1 : 0.529 : 0.176 : 0.176 : 0.176 ±3%		1	Size 2
PoE13W3x5.0-R	13	100	(3)x5.0V@0.90A	0.250	0.075	1.20	1.60	1 : 0.529 : 0.265 : 0.265 : 0.265 ±3%		1	Size 2
PoE13W2x12-R	13	100	(2)x12.0V@0.60A	0.250	0.280	1.00	1.70	1 : 0.529 : 0.647 : 0.647 ±3%		2	Size 2
Part Number	Watts	Inductance (μH)	Output	DCR/ PRI (Ω)	DCR/ SEC (Ω)	Leakage Inductance (μH) typ.	Pri Current Pk (A dc)	Turn Ratio		Schematic	Dimensions
								Schematic 2: Pins pri(1-3):fb(5-6):v1(12-10):v2(11-9)	Schematic 3: Pins pri(1-3):fb(5-6):v1(12-11):v2(10-9):v3(8-7)		
PoE13W3VERS-R	13	100	V1:7.0V@1.1A, V2:(1)x3.3V@1.1A, V3:1.8V@1.1A	0.250	0.085 0.042 0.025	1.00	1.70	1 : 0.529 : 0.350 : 0.176 : 0.088 ±3%		3	Size 2
PoE13W2VERS-R	13	100	V1:5.0V@1.6A, V2:3.3V@1.6A	0.250	0.038/ 0.027/na	1.20	1.70	1 : 0.529 : 0.265 : 0.176 ±3%		2	Size 2

- 1) Test Parameters: 100 kHz, 0.100 V_{rms}, 0.0 A dc
- 2) DCR limits maximum @ +20 °C
- 3) Leakage Inductance 200 kHz, 0.01 V_{rms}, 0.0 A dc
- 4) Feedback DCR 1.0 Ω maximum @ +20 °C

Dimensions- mm

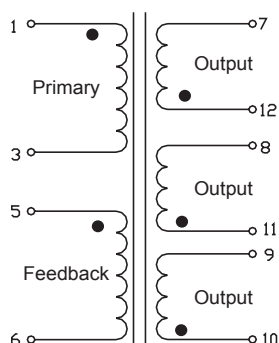
	A max.	B ref.	C max.	D ref.	E max.	F ref.	G ref.	H ref.	I ref.	J mm	K mm	L ref.	M max.	N	O
Size 1	17.1	16.0	22.3	0.7	8.4	3.0	0.1	0.4	14.49	1.79	3.43	16.88	23.74	2.54	0.75
Size 2	18.0	18.0	24.6	0.7	10.0	3.3	0.1	0.4	14.25	1.75	3.43	19.14	26.0	2.5	0.75

- 1) Tolerances A - H are ± 0.25 mm unless specified otherwise.
- 2) Tolerances I - O are ± 0.10 mm unless specified otherwise.
- 3) All soldering surfaces are coplanar to within ± 0.102 mm.

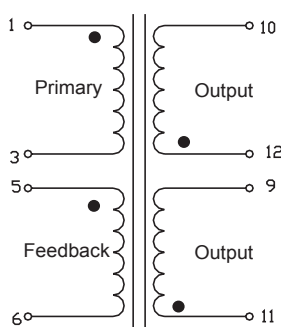


Do not route traces or vias underneath the transformer

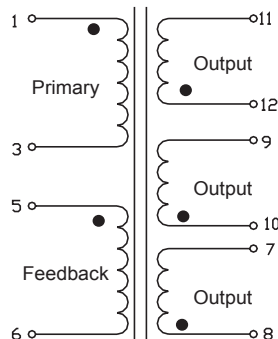
Schematic 1



Schematic 2



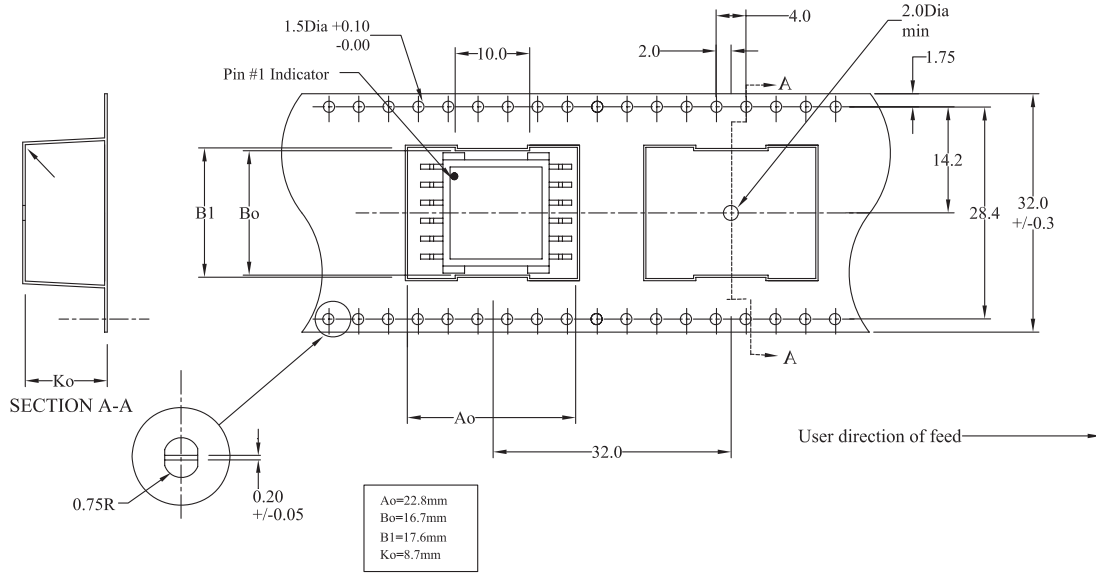
Schematic 3



Packaging information- mm

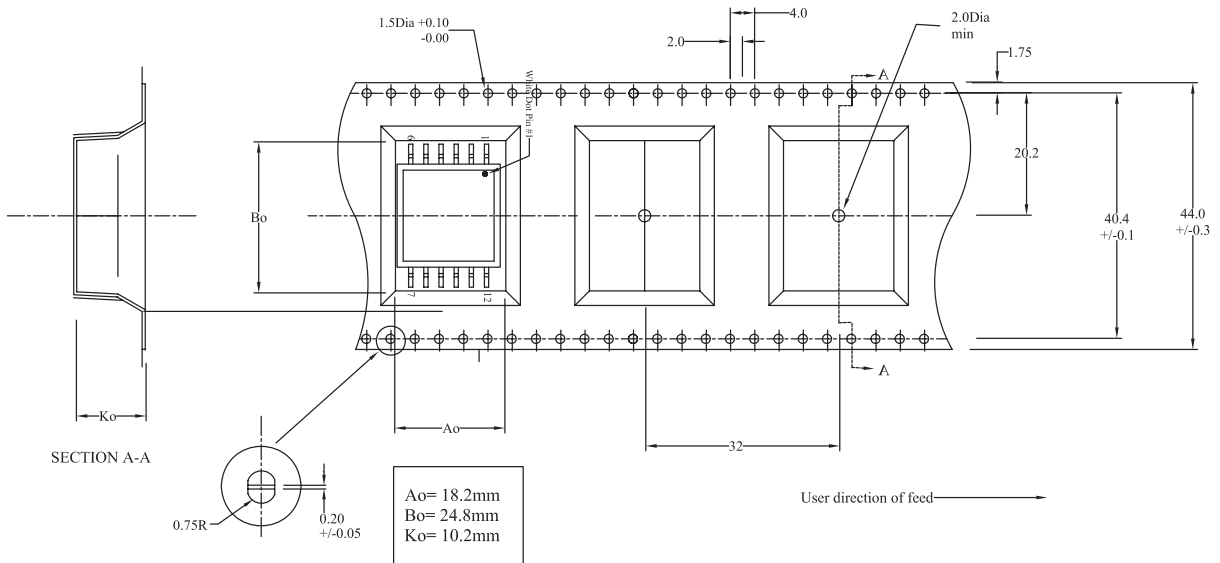
PoE 4 and 7 Watt

Parts packaged on 13" Diameter reel, 200 parts per reel.



PoE 13 Watt

Parts packaged on 13" Diameter reel, 140 parts per reel.



Solder Reflow Profile

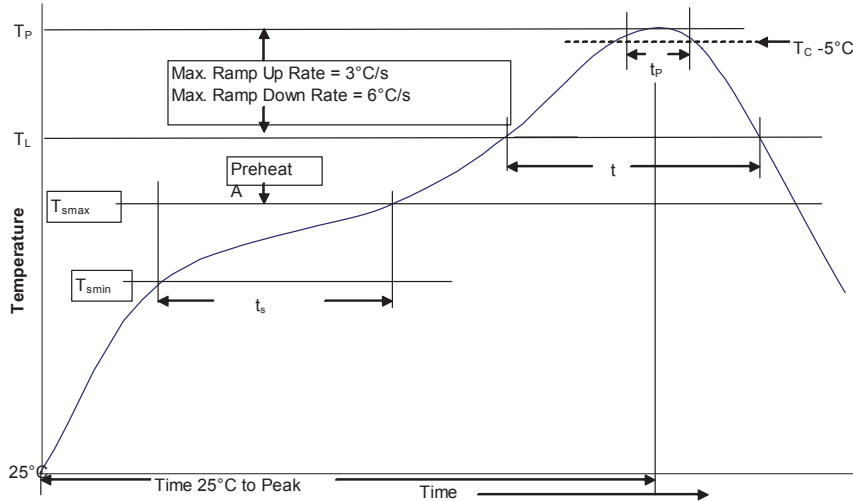


Table 1 - Standard SnPb Solder (T_c)

Package Thickness	Volume ≤ 350 mm ³	Volume ≥ 350 mm ³
<2.5mm	235°C	220°C
≥ 2.5 mm	220°C	220°C

Table 2 - Lead (Pb) Free Solder (T_c)

Package Thickness	Volume ≤ 350 mm ³	Volume 350 - 2000 mm ³	Volume > 2000 mm ³
<1.6mm	260°C	260°C	260°C
1.6 - 2.5mm	260°C	250°C	245°C
>2.5mm	250°C	245°C	245°C

Reference JDEC J-STD-020

Profile Feature	Standard SnPb Solder	Lead (Pb) Free Solder
Preheat and Soak		
• Temperature min. (T_{smin})	100°C	150°C
• Temperature max. (T_{smax})	150°C	200°C
• Time (T_{smin} to T_{smax}) (t_s)	60-120 Seconds	60-120 Seconds
Average ramp up rate T_{smax} to T_p	3°C/ Second Max.	3°C/ Second Max.
Liquidous temperature (T_L)	183°C	217°C
Time at liquidous (t_L)	60-150 Seconds	60-150 Seconds
Peak package body temperature (T_p)*	Table 1	Table 2
Time (t_p)** within 5 °C of the specified classification temperature (T_c)	20 Seconds**	30 Seconds**
Average ramp-down rate (T_p to T_{smax})	6°C/ Second Max.	6°C/ Second Max.
Time 25°C to Peak Temperature	6 Minutes Max.	8 Minutes Max.

* Tolerance for peak profile temperature (T_p) is defined as a supplier minimum and a user maximum.

** Tolerance for time at peak profile temperature (t_p) is defined as a supplier minimum and a user maximum.

Life Support Policy: Eaton does not authorize the use of any of its products for use in life support devices or systems without the express written approval of an officer of the Company. Life support systems are devices which support or sustain life, and whose failure to perform, when properly used in accordance with instructions for use provided in the labeling, can be reasonably expected to result in significant injury to the user.

Eaton reserves the right, without notice, to change design or construction of any products and to discontinue or limit distribution of any products. Eaton also reserves the right to change or update, without notice, any technical information contained in this bulletin.

Eaton
Electronics Division
1000 Eaton Boulevard
Cleveland, OH 44122
United States
www.eaton.com/electronics

Alcom
electronics
A STELLIAU TECHNOLOGY COMPANY

Singel 3 | B-2550 Kontich | Belgium | Tel.+32(0)3 458 30 33
info@alcom.be | www.alcom.be
Rivium 1e straat 52 | 2909 LE Capelle aan den IJssel | The Netherlands
Tel.+31(0)10 288 25 00 | info@alcom.nl | www.alcom.nl