



GW2A series of FPGA Products

Data Sheet

DS102-2.3E, 07/16/2021

Copyright©2021 Guangdong Gowin Semiconductor Corporation. All Rights Reserved.

GOWIN, Gowin, and GOWINSEMI are trademarks of Guangdong Gowin Semiconductor Corporation and are registered in China, the U.S. Patent and Trademark Office, and other countries. All other words and logos identified as trademarks or service marks are the property of their respective holders. No part of this document may be reproduced or transmitted in any form or by any denotes, electronic, mechanical, photocopying, recording or otherwise, without the prior written consent of GOWINSEMI.

Disclaimer

GOWINSEMI assumes no liability and provides no warranty (either expressed or implied) and is not responsible for any damage incurred to your hardware, software, data, or property resulting from usage of the materials or intellectual property except as outlined in the GOWINSEMI Terms and Conditions of Sale. All information in this document should be treated as preliminary. GOWINSEMI may make changes to this document at any time without prior notice. Anyone relying on this documentation should contact GOWINSEMI for the current documentation and errata.

Revision History

| Date | Version | Description |
|------------|---------|--|
| 06/03/2018 | 1.1E | Initial version published. |
| 09/12/2018 | 1.2E. | <ul style="list-style-type: none"> ● MG196 and PG256S information added; ● The description of the Programmable IO status for blank chips added; ● QN88 information added; ● GW2A-18 PLL list added. |
| 04/02/2019 | 1.3E | <ul style="list-style-type: none"> ● Recommended Operating Conditions updated; ● Changed Operating Temperature to Junction Temperature; ● The figure of part naming updated and automotive and fastest devices info. added; ● The package of PG256C added. |
| 04/12/2019 | 1.4E | The package of EQ144 added. |
| 07/10/2019 | 1.5E | The GW2A-55 UG324 added. |
| 09/19/2019 | 1.6E | <ul style="list-style-type: none"> ● The GW2A-18 UG324 added; ● Power supply ramp rates updated. |
| 09/27/2019 | 1.7E | Junction temperature of Automotive operation updated. |
| 10/12/2019 | 1.8E | <ul style="list-style-type: none"> ● LQ144/EQ144 package size fixed; ● Part naming examples optimized. |
| 11/12/2019 | 1.9E | <ul style="list-style-type: none"> ● Number of Max. I/O updated; ● IODELAY description updated. |
| 12/13/2019 | 2.0E | <ul style="list-style-type: none"> ● The package of GW2A-55 UG324D added; ● The package of GW2A-18 PG256E added. |
| 03/09/2019 | 2.1E | GW2A-18C and GW2A-55C added. |
| 04/16/2020 | 2.1.1E | <ul style="list-style-type: none"> ● I/O Information of GW2A-55/ GW2A-55C UG324 updated; ● CFU view updated; ● One note for "I/O Operating Conditions Recommended" added. |
| 07/07/2020 | 2.1.2E | <ul style="list-style-type: none"> ● The recommended minimum value of VCCX revised. ● A note to "Package Mark Example" added. |
| 09/25/2020 | 2.2E | The GW2A-55 UG676 package info. added. |
| 05/28/2021 | 2.2.1E | Parameters optimized. |
| 07/16/2021 | 2.3E | The UG484 and PG256CF packages of GW2A-18 added. |

Contents

| | |
|--|------------|
| Contents | i |
| List of Figures | iii |
| List of Tables | v |
| 1 About This Guide | 1 |
| 1.1 Purpose | 1 |
| 1.2 Related Documents | 1 |
| 1.3 Abbreviations and Terminology | 1 |
| 1.4 Support and Feedback | 2 |
| 2 General Description | 3 |
| 2.1 Features | 3 |
| 2.2 Product Resources | 4 |
| 3 Architecture | 6 |
| 3.1 Architecture Overview | 6 |
| 3.2 Configurable Function Unit | 7 |
| 3.2.1 CLU | 8 |
| 3.2.2 CRU | 9 |
| 3.3 IOB | 10 |
| 3.3.1 I/O Buffer | 11 |
| 3.3.2 I/O Logic | 14 |
| 3.3.3 I/O Logic Modes | 17 |
| 3.4 Block SRAM (BSRAM) | 22 |
| 3.4.1 Introduction | 22 |
| 3.4.2 Configuration Mode | 23 |
| 3.4.3 Mixed Data Bus Width Configuration | 24 |
| 3.4.4 Byte-enable | 25 |
| 3.4.5 Parity Bit | 25 |
| 3.4.6 Synchronous Operation | 25 |
| 3.4.7 Power up Conditions | 25 |
| 3.4.8 BSRAM Operation Modes | 25 |
| 3.4.9 Clock Operations | 27 |
| 3.5 DSP | 28 |

| | |
|---|-----------|
| 3.5.1 Introduction | 28 |
| 3.5.2 DSP Operations | 31 |
| 3.6 Clock | 31 |
| 3.6.1 Global Clock | 32 |
| 3.6.2 PLL | 35 |
| 3.6.3 HCLK | 37 |
| 3.6.4 DDR Memory Interface Clock Management DQS | 37 |
| 3.7 Long Wire (LW) | 38 |
| 3.8 Global Set/Reset (GSR) | 38 |
| 3.9 Programming Configuration | 38 |
| 3.10 On Chip Oscillator | 39 |
| 4 AC/DC Characteristic | 40 |
| 4.1 Operating Conditions | 40 |
| 4.1.1 Absolute Max. Ratings | 40 |
| 4.1.2 Recommended Operating Conditions | 41 |
| 4.1.3 Power Supply Ramp Rates | 41 |
| 4.1.4 Hot Socket Specifications | 41 |
| 4.1.5 POR Specifications | 41 |
| 4.2 ESD | 42 |
| 4.3 DC Electrical Characteristics | 43 |
| 4.3.1 DC Electrical Characteristics over Recommended Operating Conditions | 43 |
| 4.3.2 Static Supply Current | 44 |
| 4.3.3 I/O Operating Conditions Recommended | 45 |
| 4.3.4 IOB Single - Ended DC Electrical Characteristic | 46 |
| 4.3.5 IOB Differential Electrical Characteristics | 47 |
| 4.4 Switching Characteristic | 48 |
| 4.4.1 Internal Switching Characteristics | 48 |
| 4.4.2 BSRAM Internal Timing Parameters | 48 |
| 4.4.3 DSP Internal Timing Parameters | 48 |
| 4.4.4 External Switching Characteristics | 49 |
| 4.4.5 On chip Oscillator Output Frequency | 49 |
| 4.4.6 PLL Switching Characteristic | 50 |
| 4.5 Configuration Interface Timing Specification | 50 |
| 5 Ordering Information | 51 |
| 5.1 Part Name | 51 |
| 5.2 Package Mark Example | 52 |

List of Figures

| | |
|--|----|
| Figure 3-1 Architecture Diagram | 6 |
| Figure 3-2 CFU Structure..... | 8 |
| Figure 3-3 Register in CLS | 9 |
| Figure 3-4 IOB Structure View | 10 |
| Figure 3-5 GW2A I/O Bank Distribution | 11 |
| Figure 3-6 I/O Logic Output | 14 |
| Figure 3-7 I/O Logic Input | 15 |
| Figure 3-8 IODELAY | 15 |
| Figure 3-9 Register Structure in I/O Logic | 16 |
| Figure 3-10 IEM Structure..... | 16 |
| Figure 3-11 I/O Logic in Basic Mode..... | 17 |
| Figure 3-12 I/O Logic in SDR Mode..... | 17 |
| Figure 3-13 I/O Logic in DDR Input Mode | 18 |
| Figure 3-14 I/O Logic in DDR Output Mode..... | 18 |
| Figure 3-15 I/O Logic in IDES4 Mode | 18 |
| Figure 3-16 I/O Logic in OSER4 Mode | 18 |
| Figure 3-17 I/O Logic in IVideo Mode | 19 |
| Figure 3-18 I/O Logic in OVideo Mode | 19 |
| Figure 3-19 I/O Logic in IDES8 Mode | 19 |
| Figure 3-20 I/O Logic in OSER8 Mode | 19 |
| Figure 3-21 I/O Logic in IDES10 Mode..... | 20 |
| Figure 3-22 I/O Logic in OSER10 Mode..... | 20 |
| Figure 3-23 I/O Logic in IDDR_MEM Mode | 20 |
| Figure 3-24 I/O Logic in ODDR_MEM Mode | 21 |
| Figure 3-25 I/O Logic in IDES4_MEM Mode | 21 |
| Figure 3-26 I/O Logic in OSER4_MEM Mode..... | 21 |
| Figure 3-27 I/O Logic in IDES8_MEM Mode | 21 |
| Figure 3-28 I/O Logic in OSER8_MEM Mode..... | 22 |
| Figure 3-29 Pipeline Mode in Single Port, Dual Port and Semi-Dual Port | 26 |
| Figure 3-30 Independent Clock Mode | 27 |
| Figure 3-31 Read/Write Clock Mode..... | 27 |
| Figure 3-32 Single Port Clock Mode..... | 28 |

| | |
|--|----|
| Figure 3-33 DSP Macro | 29 |
| Figure 3-34 GW2A Clock Resources | 32 |
| Figure 3-35 GCLK Quadrant Distribution..... | 33 |
| Figure 3-36 DQCE Concept..... | 34 |
| Figure 3-37 DCS Concept..... | 34 |
| Figure 3-38 DCS Rising Edge..... | 34 |
| Figure 3-39 DCS Falling Edge | 35 |
| Figure 3-40 PLL Structure..... | 35 |
| Figure 3-41 GW2A HCLK Distribution | 37 |
| Figure 3-42 DQS | 38 |
| Figure 5-1 Part Naming Example– ES..... | 51 |
| Figure 5-2 Part Naming Example– Production | 52 |
| Figure 5-3 Package Mark Example..... | 52 |

List of Tables

| | |
|---|----|
| Table 1-1 Abbreviations and Terminologies | 1 |
| Table 2-1 Product Resources..... | 4 |
| Table 2-2 GW2A-18 PLL List..... | 4 |
| Table 2-3 Package Information and Max. I/O | 5 |
| Table 3-1 Register Description in CLS | 9 |
| Table 3-2 Output I/O Standards and Configuration Options | 11 |
| Table 3-3 Output I/O Standards and Configuration Options | 13 |
| Table 3-5 Memory Size Configuration..... | 23 |
| Table 3-6 Dual Port Mixed Read/Write Data Width Configuration | 24 |
| Table 3-7 Semi Dual Port Mixed Read/Write Data Width Configuration | 24 |
| Table 3-8 Clock Operations in Different BSRAM Modes | 27 |
| Table 3-9 DSP Ports Description | 29 |
| Table 3-10 Internal Registers Description | 30 |
| Table 3-11 PLL Ports Definition..... | 35 |
| Table 3-12 Oscillator Output Frequency Options..... | 39 |
| Table 4-1 Absolute Max. Ratings | 40 |
| Table 4-2 Recommended Operating Conditions..... | 41 |
| Table 4-3 Power Supply Ramp Rates | 41 |
| Table 4-4 Hot Socket Specifications | 41 |
| Table 4-5 POR Specifications | 41 |
| Table 4-6 GW2A ESD – HBM | 42 |
| Table 4-7 GW2A ESD – CDM | 42 |
| Table 4-8 DC Electrical Characteristics over Recommended Operating Conditions | 43 |
| Table 4-9 Static Supply Current | 44 |
| Table 4-10 I/O Operating Conditions Recommended | 45 |
| Table 4-11 IOB Single - Ended DC Electrical Characteristic | 46 |
| Table 4-12 IOB Differential Electrical Characteristics | 47 |
| Table 4-13 CFU Block Internal Timing Parameters..... | 48 |
| Table 4-14 BSRAM Internal Timing Parameters | 48 |
| Table 4-15 DSP Internal Timing Parameters | 48 |
| Table 4-16 External Switching Characteristics..... | 49 |
| Table 4-17 On chip Oscillator Output Frequency..... | 49 |

Table 4-18 PLL Switching Characteristic 50



1 About This Guide

1.1 Purpose

This data sheet describes the features, product resources and structure, AC/DC characteristics, timing specifications of the configuration interface, and the ordering information of the GW2A series of the FPGA products, which helps you to understand the GW2A series of the FPGA products quickly and select and use devices appropriately.

1.2 Related Documents

The latest user guides are available on GOWINSEMI Website. You can find the related documents at www.gowinsemi.com:

- [DS102, GW2A series of FPGA Products Data Sheet](#)
- [UG290, Gowin FPGA Products Programming and Configuration User Guide](#)
- [UG111, GW2A series FPGA Products Package and Pinout](#)
- [UG110, GW2A-18 Pinout](#)
- [UG113, GW2A-55Pinout](#)

1.3 Abbreviations and Terminology

The abbreviations and terminologies used in this manual are set out in Table 1-1 below.

Table 1-1 Abbreviations and Terminologies

| Abbreviations and Terminology | Name |
|-------------------------------|-------------------------------|
| FPGA | Field Programmable Gate Array |
| CFU | Configurable Function Unit |
| CLS | Configurable Logic Section |
| CRU | Configurable Routing Unit |
| LUT4 | 4-input Look-up Tables |
| LUT5 | 5-input Look-up Tables |
| LUT6 | 6-input Look-up Tables |

| Abbreviations and Terminology | Name |
|-------------------------------|------------------------------------|
| LUT7 | 7-input Look-up Tables |
| LUT8 | 8-input Look-up Tables |
| REG | Register |
| ALU | Arithmetic Logic Unit |
| IOB | Input/Output Block |
| SSRAM | Shadow Static Random Access Memory |
| BSRAM | Block Static Random Access Memory |
| SP | Single Port 16K BSRAM |
| SDP | Semi Dual Port 16K BSRAM |
| DP | True Dual Port 16K BSRAM |
| DSP | Digital Signal Processing |
| TDM | Time Division Multiplexing |
| DQCE | Dynamic Quadrant Clock Enable |
| DCS | Dynamic Clock Selector |
| PLL | Phase-locked Loop |
| GPIO | Gowin Programmable IO |
| LQ | LQFP |
| EQ | ELQFP |
| PG | PBGA |
| UG | UBGA |

1.4 Support and Feedback

Gowin Semiconductor provides customers with comprehensive technical support. If you have any questions, comments, or suggestions, please feel free to contact us directly using the information provided below.

Website: www.gowinsemi.com

E-mail: support@gowinsemi.com

2 General Description

The GW2A series of FPGA products are the first generation products of the Arora family. They offer a range of comprehensive features and rich internal resources like high-performance DSP resources, a high-speed LVDS interface, and abundant BSRAM memory resources. These embedded resources combine a streamlined FPGA architecture with a 55nm process to make the GW2A series of FPGA products suitable for high-speed, low-cost applications.

GOWINSEMI continually invests the development of next-generation FPGA hardware environment through the market-oriented independent research and developments that supports the GW2A series of FPGA products, which can be used for FPGA synthesizing, layout, place and routing, data bitstream generation and download, etc.

2.1 Features

- Lower power consumption
 - 55nm SRAM technology
 - Core voltage: 1.0V
 - Clock dynamically turns on and off
- Multiple I/O standards
 - LVCMOS33/25/18/15/12; LVTTTL33, SSTL33/25/18 I, II, SSTL15; HSTL18 I, II, HSTL15 I; PCI, LVDS25, RSDS, LVDS25E, BLVDSE MLVDSE, LVPECLE, RSDSE
 - Input hysteresis option
 - Supports 4mA, 8mA, 16mA, 24mA, etc. drive options
 - Slew rate option
 - Output drive strength option
 - Individual bus keeper, weak pull-up, weak pull-down, and open drain option
 - Hot socket
- High performance DSP
 - High performance digital signal processing ability
 - Supports 9 x 9, 18 x 18, 36 x 36 bits multiplier and 54 bits accumulator;
 - Multipliers cascading
 - Registers pipeline and bypass

- Adaptive filtering through signal feedback
- Supports barrel shifter
- Abundant slices
 - Four input LUT (LUT4)
 - Double-edge flip-flops
 - Supports shift register and distributed register
- Block SRAM with multiple modes
 - Supports dual port, single port, and semi-dual port
 - Supports bytes write enable
- Flexible PLLs
 - Frequency adjustment (multiply and division) and phase adjustment
 - Supports global clock
- Configuration
 - JTAG configuration
 - Four GowinCONFIG configuration modes: AUTOBOOT, SSPI, MSPI, CPU, SERIAL, DUAL BOOT
 - Supports JTAG and SSPI programming SPI Flash directly and other modes programming SPI Flash via IP
 - Data stream file encryption and security bit settings

2.2 Product Resources

Table 2-1 Product Resources

| Device | GW2A-18 | GW2A-55 |
|-----------------------------|---------|---------|
| LUT4 | 20,736 | 54,720 |
| Flip-Flop (FF) | 15,552 | 41,040 |
| Shadow SRAM SSRAM (bits) | 41,472 | 109,440 |
| Block SRAM BSRAM (bits) | 828K | 2,520K |
| BSRAM quantity BSRAM | 46 | 140 |
| 18 x 18 Multiplier | 48 | 40 |
| Maximum ¹ (PLLs) | 4 | 6 |
| Total number of I/O banks | 8 | 8 |
| Max. I/O | 384 | 608 |
| Core voltage | 1.0V | 1.0V |

Note!

[1]Different packages support different numbers of PLL. Up to six PLLs can be supported.

Table 2-2 GW2A-18 PLL List


| Package | Device | PLL |
|--------------------|---------|-------------------------|
| LQ144 ¹ | GW2A-18 | PLLL0/PLLL1/PLLR0/PLLR1 |
| EQ144 ¹ | GW2A-18 | PLLL0/PLLL1/PLLR0/PLLR1 |
| MG196 ² | GW2A-18 | PLLL0/PLLL1/PLLR0/PLLR1 |
| QN88 | GW2A-18 | PLLL1/ PLLR1 |

| Package | Device | PLL |
|--|---------|-------------------------|
| PG256/ PG256S/ PG256C/ PG256CF/ PG256E | GW2A-18 | PLLL0/PLLL1/PLLR0/PLLR1 |
| PG484 | GW2A-18 | PLLL0/PLLL1/PLLR0/PLLR1 |
| UG324 | GW2A-18 | PLLL0/PLLL1/PLLR0/PLLR1 |
| UG484 | GW2A-18 | PLLL0/PLLL1/PLLR0/PLLR1 |

Table 2-3 Package Information and Max. I/O

| Package | Pitch(mm) | Size(mm) | E-pad Size (mm) | GW2A-18 | GW2A-55 |
|---------|-----------|----------|-----------------|----------|----------|
| QN88 | 0.4 | 10 x 10 | 6.74 x 6.74 | 66 (22) | - |
| LQ144 | 0.5 | 20 x 20 | - | 119 (34) | - |
| EQ144 | 0.5 | 20 x 20 | 9.74 x 9.74 | 119 (34) | - |
| MG196 | 0.5 | 8 x 8 | - | 114 (39) | - |
| PG256 | 1.0 | 17 x 17 | - | 207 (73) | - |
| PG256S | 1.0 | 17 x 17 | - | 192 (72) | - |
| PG256C | 1.0 | 17 x 17 | - | 190 (64) | - |
| PG256CF | 1.0 | 17 x 17 | - | 190 (65) | - |
| PG256E | 1.0 | 17 x 17 | - | 162 (29) | - |
| PG484 | 1.0 | 23 x 23 | - | 319 (78) | 319 (76) |
| PG1156 | 1.0 | 35 x 35 | - | - | 607 (97) |
| UG324 | 0.8 | 15 x 15 | - | 239 (90) | 240 (86) |
| UG324D | 0.8 | 15 x 15 | - | - | 240 (71) |
| UG484 | 0.8 | 15 x 15 | - | 379 (94) | - |
| UG676 | 0.8 | 21 x 21 | - | - | 525 (97) |

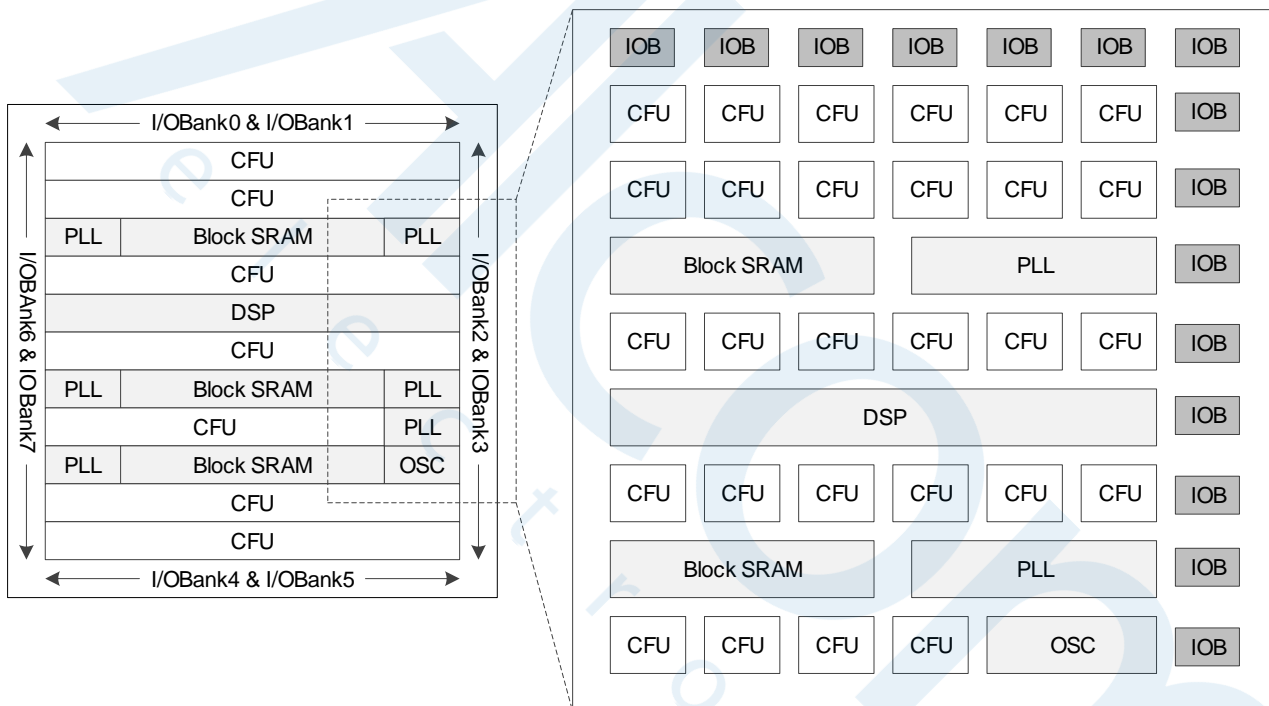
Note!

- [1] The package types in this data sheet are written with abbreviations. See [5.1 Part Name](#) for further information.
- “” denotes that the various device pins are compatible when the package types are the same.
- JTAGSEL_N and JTAG pins cannot be used as I/O simultaneously. The Max. I/O noted in this table is referred to when the four JTAG pins (TCK, TDI, TDO, and TMS) are used as I/O. When mode [2:0] = 001, JTAGSEL_N and the four JTAG pins (TCK, TDI, TDO, and TMS) can be used as GPIO simultaneously, and the Max. user I/O is increased by one;
- The IO speed of JTAG pins multiplexing is less than 40 MHz.

3 Architecture

3.1 Architecture Overview

Figure 3-1 Architecture Diagram



See Figure 3-1 for an overview of the architecture of the GW2A series of FPGA products. Please refer to Table 2-1 for GW2A-18 and GW2A-55 devices internal resources. The core of device is an array of Configurable Logic Unit (CFU) surrounded by IO blocks. Besides, GW2A provides BSRAM, DSP, PLL, and on chip oscillator.

Configurable Function Unit (CFU) is the base cell for the array of GW2A series FPGA Products. Devices with different capacities have different numbers of rows and columns. CFU can be configured as LUT4 mode, ALU mode, and memory mode. For more detailed information, see [3.2 Configurable Function Unit](#).

The I/O resources in the GW2A series of FPGA products are arranged around the periphery of the devices in groups referred to as banks, which are divided into eight Banks, including Bank0 ~ Bank7. I/O resources support multiple I/O standards, and support regular mode, SRD mode, generic DDR mode, and DDR_MEM mode. For more detailed information, see [3.3IOB](#).

The BSRAM is embedded as a row in the GW2A series of FPGA products. In the FPGA array, each BSRAM occupies three columns of CFU. Each BSRAM has 18,432 bits (18 Kbits) and supports multiple configuration modes and operation modes. For more detailed information, see [3.4Block SRAM \(BSRAM\)](#).

DSP is embedded in the GW2A series of FPGA products. DSP blocks are embedded as a row in the FPGA array. Each DSP occupies nine CFU columns. Each DSP block contains two Macros, and each Macro contains two pre-adders, two multipliers with 18 by 18 inputs, and a three input ALU54. For more detailed information, see [3.5 DSP](#).

GW2A provides one PLL. PLL blocks provide the ability to synthesize clock frequencies. Frequency adjustment (multiply and division), phase adjustment, and duty cycle can be adjusted using the configuration of parameters. There is an internal programmable on-chip oscillator in each GW2A series of FPGA product. The on-chip oscillator supports the clock frequencies ranging from 2.5 MHz to 125 MHz, providing the clock resource for the MSPI mode. It also provides a clock resource for user designs with the clock precision reaching $\pm 5\%$. For more detailed information, please refer to [3.6Clock](#), [3.10On Chip Oscillator](#).

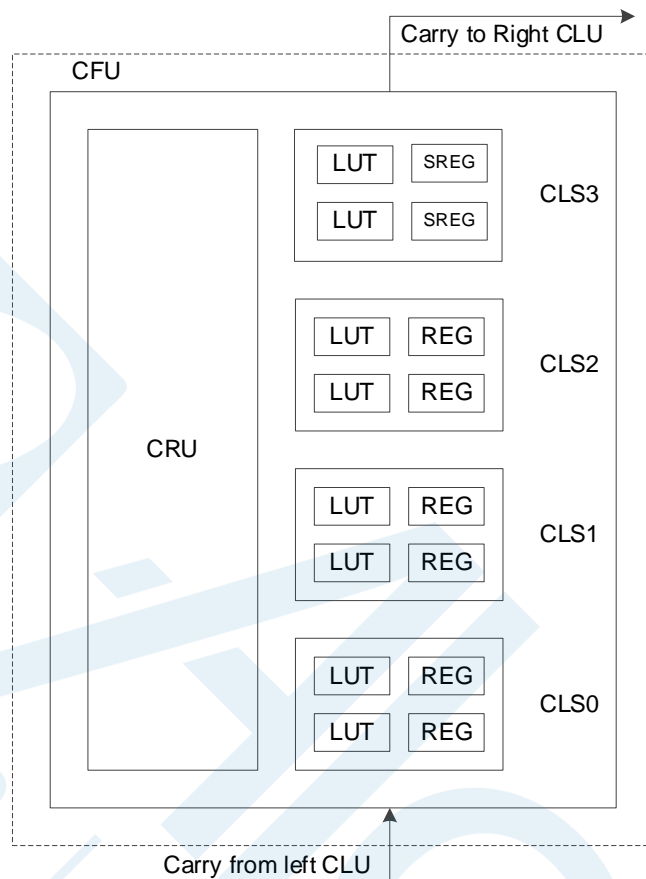
FPGA provides abundant CRUs, connecting all the resources in the FPGA. For example, routing resources distributed in CFU and IOB connect resources in CFU and IOB. Routing resources can automatically be generated by Gowin software. In addition, the GW2A series of FPGA Products also provide abundant GCLKs, long wires (LW), global set/reset (GSR), and programming options, etc. For more detailed information, see [3.6Clock](#), [3.7Long Wire \(LW\)](#), and [3.8Global Set/Reset \(GSR\)](#).

3.2 Configurable Function Unit

The configurable function unit and the configurable logic unit are two basic units for FPGA core of GOWINSEMI. As shown in Figure 3-2, each unit consists of four configurable logic sections and its configurable routing unit. Each of the three configurable logic sections contains two 4-input LUTs and two registers, and the other one only contains two 4-input LUTs.

Configurable logical sections in CLU cannot be configured as SRAM, but as basic logic, ALU, and ROM. The configurable logic sections in the CFU can be configured as basic logic, ALU, SRAM, and ROM depending on the applications. This section takes CFU as an example to introduce CFU and CLU.

Figure 3-2 CFU Structure

**Note!**

SEREG needs special patch supporting. Please contact Gowin technical support or local Office for this patch.

3.2.1 CLU

The CLU supports three operation modes: Basic logic mode, ALU mode, and memory mode.

- Basic Logic Mode

Each LUT can be configured as one four-input LUT. Higher input number of LUT can be formed by combining the LUT4 together.

- Each CLS can form one five input LUT5.
- Two CLSs can form one six input LUT6.
- Four CLSs can form one seven input LUT7.
- Eight CLSs (two CLUs) can form one eight-input LUT8.

- ALU Mode

When combined with carry chain logic, the LUT can be configured as the ALU mode to implement the following functions.

- Adder and subtractor
- Up/down counter
- Comparator, including greater-than, less-than, and not-equal-to
- MULT

- Memory mode

In this mode, a 16 x 4 SSRAM or ROM can be constructed by using CLSs.

This SRAM can be initialized during the device configuration stage. The initialization data can be generated in the bit stream file from Gowin Yunyuan software.

Each Configurable Logic Section (CLS) has two registers (REG), as shown in Figure3-3 below.

Figure3-3 Register in CLS

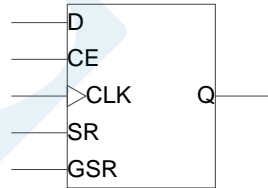


Table 3-1 Register Description in CLS

| Signal | I/O | Description |
|--------------------|-----|---|
| D | I | Data input ¹ |
| CE | I | CLK enable, can be high or low effective ² |
| CLK | I | Clock, can be rising edge or falling edge triggering ² |
| SR | I | Set/Reset, can be configured as ² : <ul style="list-style-type: none"> ● Synchronized reset ● Synchronized set ● Asynchronous reset ● Asynchronous set ● Non |
| GSR ^{3,4} | I | Global Set/Reset, can be configured as ⁴ : <ul style="list-style-type: none"> ● Asynchronous reset ● Asynchronous set ● Non |
| Q | O | Register |

Note!

- [1] The source of the signal D can be the output of a LUT, or the input of the CRU; as such, the register can be used alone when LUTs are in use.
- [2] CE/CLK/SR in CFU is independent.
- [3] In the GW2A series of FPGA products, GSR has its own dedicated network.
- [4] When both SR and GSR are effective, GSR has higher priority.

3.2.2 CRU

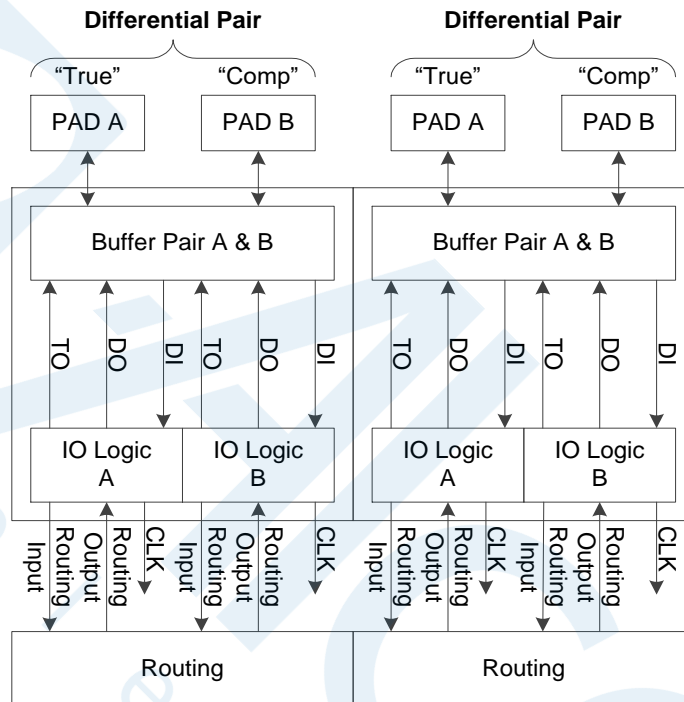
The main functions of the CRU are as follows:

- Input selection: Select input signals for the CFU.
- Configurable Routing: Connect the input and output of the CFUs, including inside the CFU, CFU to CFU, and CFU to other functional blocks in FPGA.

3.3 IOB

The IOB in the GW2A series of FPGA products includes IO Buffer, IO Logic, and its Routing Unit. As shown below, each IOB connects to two Pins (Marked as A and B). They can be used as a differential pair or as a single end input/output.

Figure 3-4 IOB Structure View



IOB Features:

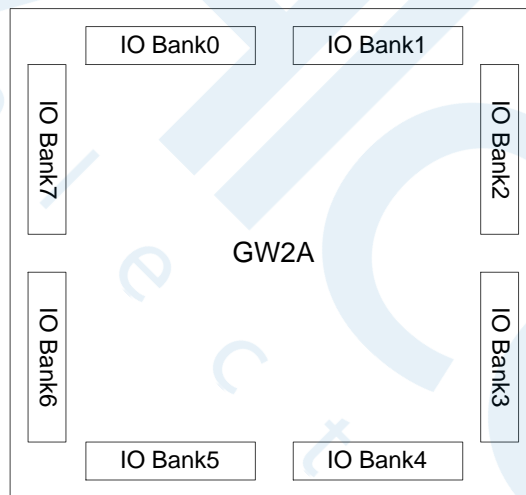
- V_{CC0} supplied with each bank
- LVCMOS, PCI, LVTTTL, LVDS, SSTL, and HSTL
- Input hysteresis option
- Output drive strength option
- Slew rate option
- Individual bus keeper, weak pull-up, weak pull-down, and open drain option
- Hot socket
- IO logic supports basic mode, SRD mode, and generic DDR mode

3.3.1 I/O Buffer

There are eight I/O Banks in the GW2A series of FPGA products, as shown in Figure 3-5. Each Bank has independent IO source V_{CCO} . V_{CCO} can be 3.3V, 2.5V, 1.8V, 1.5V, or 1.2V. For LQ144 devices, $V_{CCO2/6}$ and V_{CCX} are internal short-circuited, and the power supply can be set to 2.5V and 3.3V. For more detailed information, please refer to Table 4-2. In order to support SSTL, HSTL, etc., each bank also provides one independent voltage source (VREF) as reference voltage. User can choose from internal reference voltage of the bank ($0.5 \times V_{CCO}$) or external reference voltage using any IO from the bank. V_{CCX} is 2.5V and 3.3V.

Different banks in the GW2A Series of FPGA Products support different on-chip resistor settings, including single-ended resistor and differential resistor. Single-ended resistor is set for SSTL/HSTL I/O and is supported in Bank 2/3/6/7. Differential resistor is set for LVDS input and is only supported in Bank 0/1. Please refer to [UG289, Gowin Programmable IO User Guide](#) for more detailed information.

Figure 3-5 GW2A I/O Bank Distribution



Note!

By default, the Gowin Programmable IO is tri-stated weak pull-up.

For the V_{CCO} requirements of different I/O standards, see Table 3-2.

Table 3-2 Output I/O Standards and Configuration Options

| I/O output Type | Single/Differ | Bank V_{CCO} (V) | Driver Strength (mA) | Typ. Applicaiton |
|-----------------|---------------|--------------------|----------------------|---------------------|
| LVTTL33 | Single end | 3.3 | 4,8,12,16,24 | universal interface |
| LVC MOS33 | Single end | 3.3 | 4,8,12,16,24 | universal interface |
| LVC MOS25 | Single end | 2.5 | 4,8,12,16 | universal interface |
| LVC MOS18 | Single end | 1.8 | 4,8,12 | universal interface |
| LVC MOS15 | Single end | 1.5 | 4,8 | universal interface |
| LVC MOS12 | Single end | 1.2 | 4,8 | universal interface |
| SSTL25_I | Single end | 2.5 | 8 | memory interface |
| SSTL25_II | Single end | 2.5 | 8 | memory interface |

| I/O output Type | Single/Differ | Bank V _{CCO} (V) | Driver Strength (mA) | Typ. Applicaiton |
|-----------------|----------------------|---------------------------|----------------------|---|
| SSTL33_I | Single end | 3.3 | 8 | memory interface |
| SSTL33_II | Single end | 3.3 | 8 | memory interface |
| SSTL18_I | Single end | 1.8 | 8 | memory interface |
| SSTL18_II | Single end | 1.8 | 8 | memory interface |
| SSTL15 | Single end | 1.5 | 8 | memory interface |
| HSTL18_I | Single end | 1.8 | 8 | memory interface |
| HSTL18_II | Single end | 1.8 | 8 | memory interface |
| HSTL15_I | Single end | 1.5 | 8 | memory interface |
| PCI33 | Single end | 3.3 | N/A | PC and embedded system |
| LVPECL33E | Differential | 3.3 | 16 | High-speed data transmission |
| MLVDS25E | Differential | 2.5 | 16 | LCD timing driver interface and column driver interface |
| BLVDS25E | Differential | 2.5 | 16 | Multi-point high-speed data transmission |
| RSDS25E | Differential | 2.5 | 8 | high-speed point-to-point data transmission |
| LVDS25E | Differential | 2.5 | 8 | high-speed point-to-point data transmission |
| LVDS25 | Differential (TLVDS) | 2.5/3.3 | 3.5/2.5/2/1.25 | high-speed point-to-point data transmission |
| RSDS | Differential (TLVDS) | 2.5/3.3 | 2 | high-speed point-to-point data transmission |
| MINILVDS | Differential (TLVDS) | 2.5/3.3 | 2 | LCD timing driver interface and column driver interface |
| PPLVDS | Differential (TLVDS) | 2.5/3.3 | 3.5 | LCD row/column driver |
| SSTL15D | Differential | 1.5 | 8 | memory interface |
| SSTL25D_I | Differential | 2.5 | 8 | memory interface |
| SSTL25D_II | Differential | 2.5 | 8 | memory interface |
| SSTL33D_I | Differential | 3.3 | 8 | memory interface |
| SSTL33D_II | Differential | 3.3 | 8 | memory interface |
| SSTL18D_I | Differential | 1.8 | 8 | memory interface |
| SSTL18D_II | Differential | 1.8 | 8 | memory interface |
| HSTL18D_I | Differential | 1.8 | 8 | memory interface |
| HSTL18D_II | Differential | 1.8 | 8 | memory interface |
| HSTL15D_I | Differential | 1.5 | 8 | memory interface |
| LVC MOS12D | Differential | 1.2 | 8/4 | universal interface |
| LVC MOS15D | Differential | 1.5 | 8/4 | universal interface |

| I/O output Type | Single/Differ | Bank V _{CCO} (V) | Driver Strength (mA) | Typ. Applicaiton |
|-----------------|---------------|---------------------------|----------------------|---------------------|
| LVC MOS18D | Differential | 1.8 | 8/12/4 | universal interface |
| LVC MOS25D | Differential | 2.5 | 8/16/12/4 | universal interface |
| LVC MOS33D | Differential | 3.3 | 8/24/16/12/4 | universal interface |

Table 3-3 Output I/O Standards and Configuration Options

| I/O Input Type | Single/Differ | Bank V _{CCO} (V) | Hysteresis | Need V _{REF} |
|----------------|---------------|---------------------------|------------|-----------------------|
| LV TTL33 | Single end | 1.5/1.8/2.5/3.3 | Yes | No |
| LVC MOS33 | Single end | 1.5/1.8/2.5/3.3 | Yes | No |
| LVC MOS25 | Single end | 1.5/1.8/2.5/3.3 | Yes | No |
| LVC MOS18 | Single end | 1.5/1.8/2.5/3.3 | Yes | No |
| LVC MOS15 | Single end | 1.2/1.5/1.8/2.5/3.3 | Yes | No |
| LVC MOS12 | Single end | 1.2/1.5/1.8/2.5/3.3 | Yes | No |
| SSTL15 | Single end | 1.5/1.8/2.5/3.3 | No | Yes |
| SSTL25_I | Single end | 2.5/3.3 | No | Yes |
| SSTL25_II | Single end | 2.5/3.3 | No | Yes |
| SSTL33_I | Single end | 3.3 | No | Yes |
| SSTL33_II | Single end | 3.3 | No | Yes |
| SSTL18_I | Single end | 1.8/2.5/3.3 | No | Yes |
| SSTL18_II | Single end | 1.8/2.5/3.3 | No | Yes |
| HSTL18_I | Single end | 1.8/2.5/3.3 | No | Yes |
| HSTL18_II | Single end | 1.8/2.5/3.3 | No | Yes |
| HSTL15_I | Single end | 1.5/1.8/2.5/3.3 | No | Yes |
| PCI33 | Single end | 3.3 | Yes | No |
| LVC MOS33OD25 | Single end | 2.5 | No | No |
| LVC MOS33OD18 | Single end | 1.8 | No | No |
| LVC MOS33OD15 | Single end | 1.5 | No | No |
| LVC MOS25OD18 | Single end | 1.8 | No | No |
| LVC MOS25OD15 | Single end | 1.5 | No | No |
| LVC MOS18OD15 | Single end | 1.5 | No | No |
| LVC MOS15OD12 | Single end | 1.2 | No | No |
| LVC MOS25UD33 | Single end | 3.3 | No | No |
| LVC MOS18UD25 | Single end | 2.5 | No | No |
| LVC MOS18UD33 | Single end | 3.3 | No | No |
| LVC MOS15UD18 | Single end | 1.8 | No | No |
| LVC MOS15UD25 | Single end | 2.5 | No | No |
| LVC MOS15UD33 | Single end | 3.3 | No | No |
| LVC MOS12UD15 | Single end | 1.5 | No | No |
| LVC MOS12UD18 | Single end | 1.8 | No | No |
| LVC MOS12UD25 | Single end | 2.5 | No | No |

| I/O Input Type | Single/Differ | Bank V _{CCO} (V) | Hysteresis | Need V _{REF} |
|----------------|---------------|---------------------------|------------|-----------------------|
| LVC MOS12UD33 | Single end | 3.3 | No | No |
| LVDS25 | Differential | 2.5/3.3 | No | No |
| RS DS | Differential | 2.5/3.3 | No | No |
| MINILVDS | Differential | 2.5/3.3 | No | No |
| PPLVDS | Differential | 2.5/3.3 | No | No |
| LVDS25E | Differential | 2.5/3.3 | No | No |
| MLVDS25E | Differential | 2.5/3.3 | No | No |
| BLVDS25E | Differential | 2.5/3.3 | No | No |
| RS DS25E | Differential | 2.5/3.3 | No | No |
| LVPECL33E | Differential | 3.3 | No | No |
| SSTL15D | Differential | 1.5/1.8/2.5/3.3 | No | No |
| SSTL25D_I | Differential | 2.5/3.3 | No | No |
| SSTL25D_II | Differential | 2.5/3.3 | No | No |
| SSTL33D_I | Differential | 3.3 | No | No |
| SSTL33D_II | Differential | 3.3 | No | No |
| SSTL18D_I | Differential | 1.8/2.5/3.3 | No | No |
| SSTL18D_II | Differential | 1.8/2.5/3.3 | No | No |
| HSTL18D_I | Differential | 1.8/2.5/3.3 | No | No |
| HSTL18D_II | Differential | 1.8/2.5/3.3 | No | No |
| HSTL15D_I | Differential | 1.5/1.8/2.5/3.3 | No | No |

3.3.2 I/O Logic

Figure 3-6 shows the I/O logic output of the GW2A series of FPGA products.

Figure 3-6 I/O Logic Output

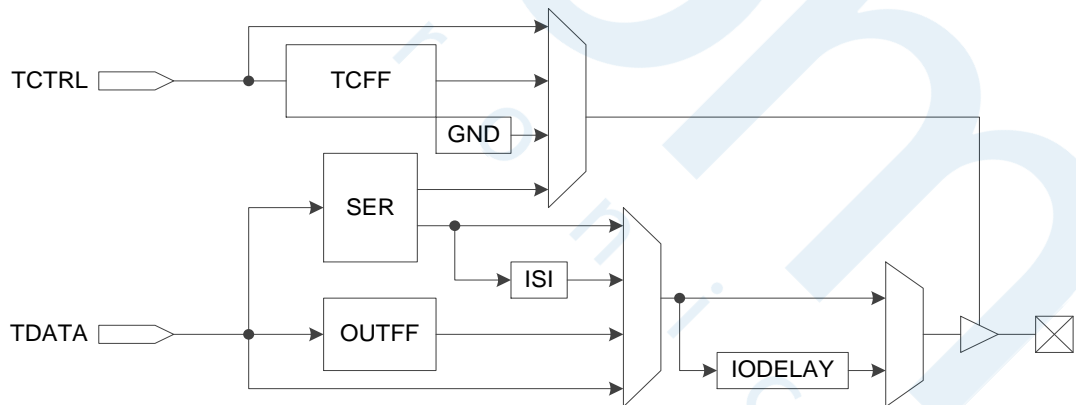
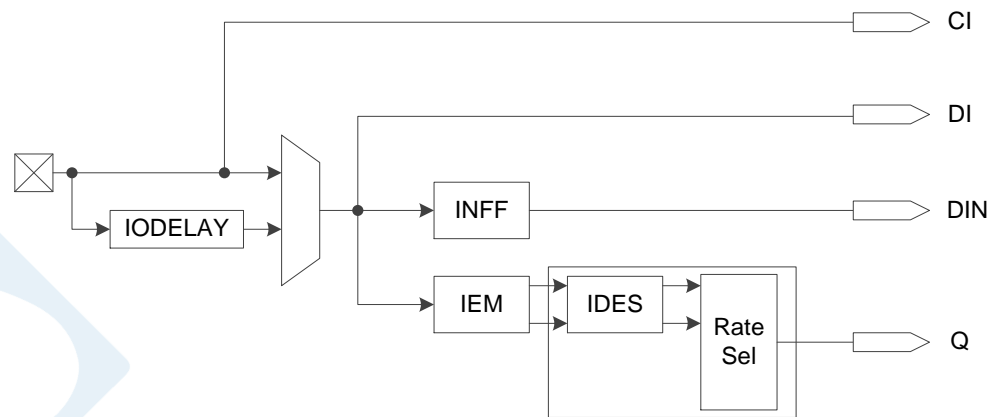


Figure 3-7 shows the I/O logic input of the GW2A series of FPGA products.

Figure 3-7 I/O Logic Input

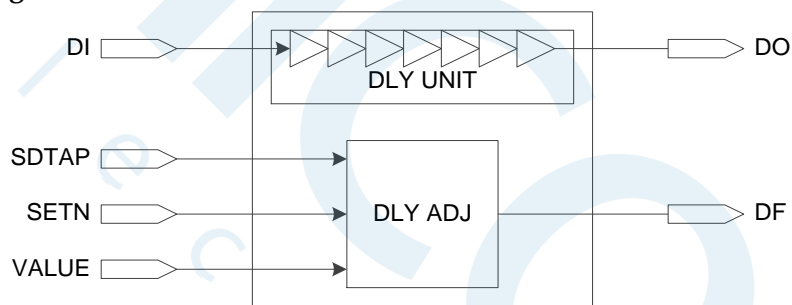


A description of the I/O logic modules of the GW2A series of FPGA products is presented below.

IODELAY

See Figure 3-8 for an overview of the IODELAY. Each I/O of the GW2A series of FPGA products has an IODELAY cell. A total of 128(0~127) step delay is provided, with one-step delay time of about 18ps.

Figure 3-8 IODELAY

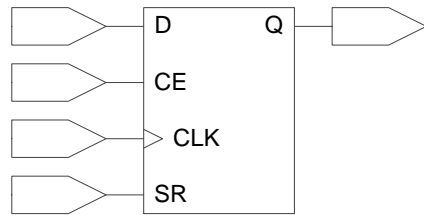


The delay cell can be controlled in two ways:

- Static control.
- Dynamic control: Usually used to sample delay window together with IEM. The IODELAY cannot be used for both input and output at the same time.

I/O Register

See Figure 3-9 for the I/O register in the GW2A series of FPGA products. Each I/O provides one input register, INFF, one output register, OUTFF, and a tristate Register, TCFF.

Figure 3-9 Register Structure in I/O Logic**Note!**

- CE can be either active low (0: enable) or active high (1: enable).
- CLK can be either rising edge trigger or falling edge trigger.
- SR can be either synchronous/asynchronous SET or RESET or disable.
- The register can be programmed as register or latch.

IEM

IEM is for sampling clock edge and is used in the generic DDR mode, as shown in Figure 3-10.

Figure 3-10 IEM Structure**De-serializer DES and Clock Domain Transfer**

The GW2A series of FPGA products provides a simple serializer SER for each output I/O to support advanced I/O protocols. The Clock domain transfer module of the input clock in DES provides the ability to safely switch the external sampling clock to the internal continuous running clock. There are multiple registers used for data sampling.

The clock domain transfer module offers the following functions:

- The internal continuous clock is used instead of the discontinuous DQS for data sampling. The function is applied to the interface of DDR memory.
- For the DDR3 memory interface standard, align the data after DQS read-leveling.
- In regular DDR mode, when DQS.RCLK is used for sampling, the clock domain transfer module also needs to be used.

Each DQS provides WADDR and RADDR signals to the same group in the clock domain transfer module.

Serializer SER

The GW2A series of FPGA products provides a simple serializer (SER) for each output I/O to support advanced I/O protocols.

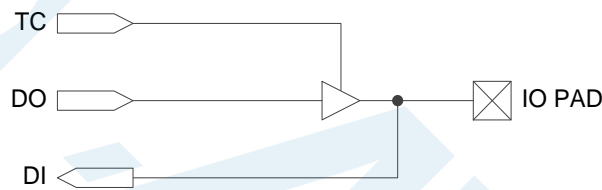
3.3.3 I/O Logic Modes

The I/O Logic in the GW2A series of FPGA products supports several modes. In each operation, the I/O (or I/O differential pair) can be configured as output, input, and INOUT or tristate output (output signal with tristate control).

Basic Mode

In basic mode, the I/O Logic is as shown in Figure 3-11, and the TC, DO, and DI signals can connect to the internal cores directly through CRU.

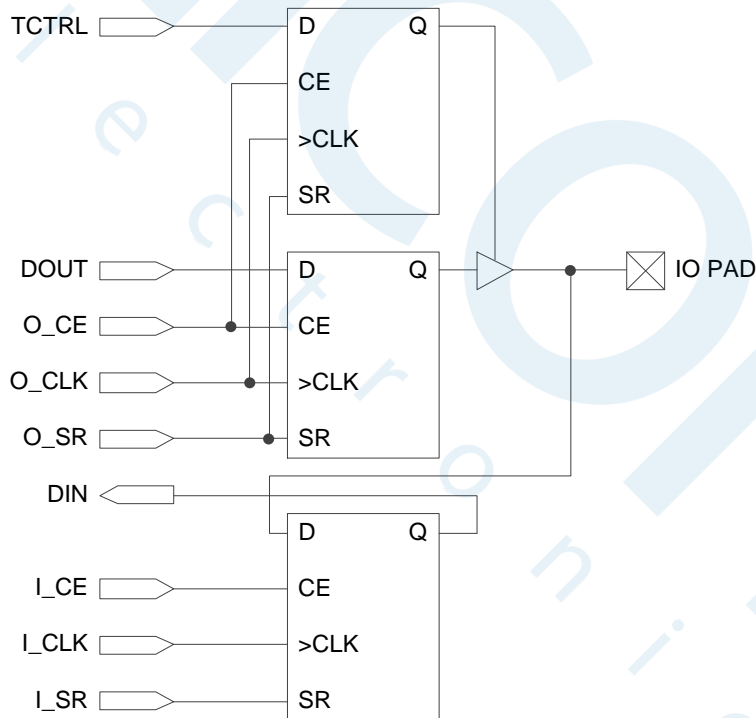
Figure 3-11 I/O Logic in Basic Mode



SDR Mode

In comparison with the basic mode, SDR utilizes the IO register, as shown in Figure 3-12. This can effectively improve IO timing.

Figure 3-12 I/O Logic in SDR Mode



Note!

- CLK enable O_CE and I_CE can be configured as active high or active low;
- O_CLK and I_CLK can be either rising edge trigger or falling edge trigger;
- Local set/reset signal O_SR and I_SR can be either synchronized reset, synchronized set, asynchronous reset, asynchronous set, or no-function;
- I/O in SDR mode can be configured as basic register or latch.

Generic DDR Mode

Higher speed I/O protocols can be supported in generic DDR mode.

Figure 3-13 shows the generic DDR input, with a speed ratio of the internal logic to PAD 1:2.

Figure 3-13 I/O Logic in DDR Input Mode



Figure 3-14 shows the generic DDR output, with a speed ratio of PAD to FPGA internal logic 2:1.

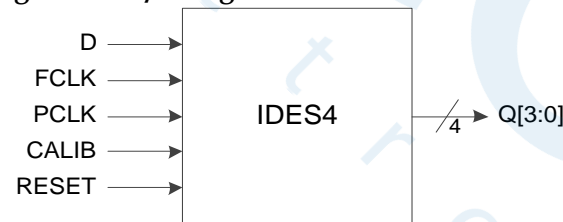
Figure 3-14 I/O Logic in DDR Output Mode



IDES4

In IDES4 mode, the speed ratio of the PAD to FPGA internal logic is 1:4.

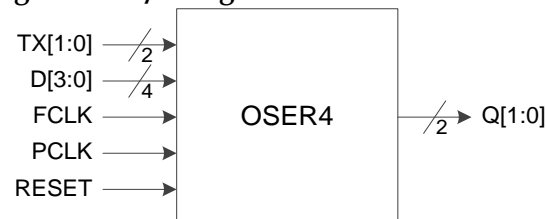
Figure 3-15 I/O Logic in IDES4 Mode



OSER4 Mode

In OSER4 mode, the speed ratio of PAD to FPGA internal logic is 4:1.

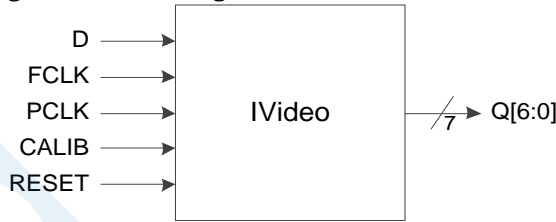
Figure 3-16 I/O Logic in OSER4 Mode



IVideo Mode

In IVideo mode, the speed ratio of the PAD to FPGA internal logic is 1:7.

Figure 3-17 I/O Logic in IVideo Mode



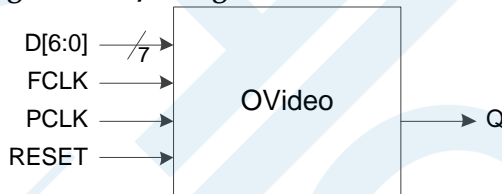
Note!

IVideo and IDES8/10 will occupy the neighboring I/O logic. If the I/O logic of a single port is occupied, the pin can only be programmed in SDR or BASIC mode.

OVideo Mode

In OVideo mode, the speed ratio of the PAD to FPGA internal logic is 7:1.

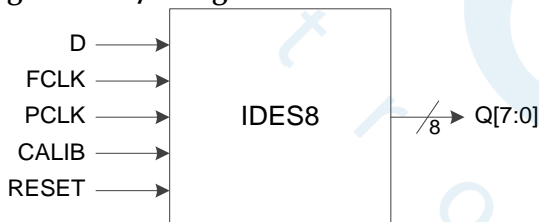
Figure 3-18 I/O Logic in OVideo Mode



IDES8 Mode

In IDES8 mode, the speed ratio of the PAD to FPGA internal logic is 1:8.

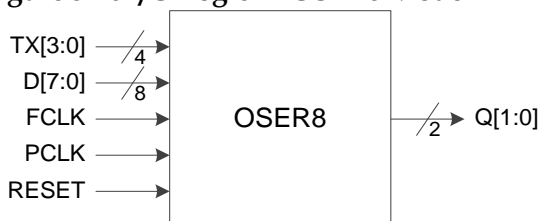
Figure 3-19 I/O Logic in IDES8 Mode



OSER8 Mode

In OSER8 mode, the speed ratio of the PAD to FPGA internal logic is 8:1.

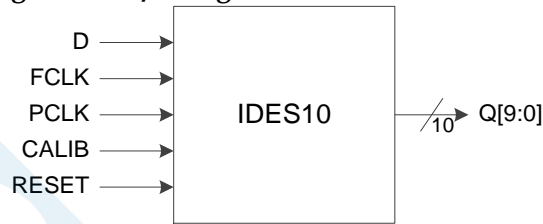
Figure 3-20 I/O Logic in OSER8 Mode



IDES10 Mode

In IDES10 mode, the speed ratio of the PAD to FPGA internal logic is 1:10.

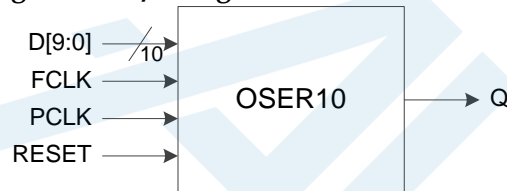
Figure 3-21 I/O Logic in IDES10 Mode



OSER10 Mode

In OSER10 mode, the speed ratio of the PAD to FPGA internal logic is 10:1.

Figure 3-22 I/O Logic in OSER10 Mode



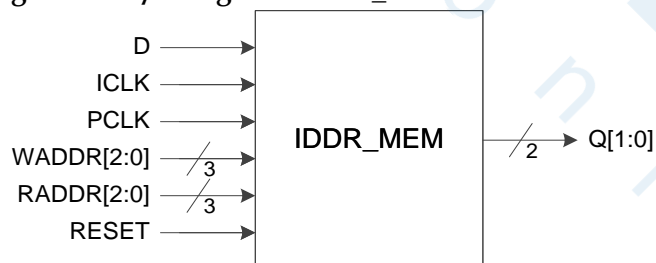
The GW2A series of FPGA products support IO interface mode with memory, support double/four/eight speed rate input and output, including IDDR_MEM, IDES4_MEM, IDES8_MEM, ODDR_MEM, OSER4_MEM, and OSER8_MEM modes.

IDDR_MEM/IDES4_MEM/IDES8_MEM needs to be used with DQS. ICLK connects output signal DQSR90 of DQS and sends data to IO interfaces according to ICLK clock edge. WADDR [2: 0] connects output signal WPOINT of DQS; RADDR [2: 0] connects output signal RPOINT of DQS.

ODDR_MEM/OSER4_MEM/OSER8_MEM needs to be used with DQS. TCLK connects output signal DQSW0 or DQSW270 of DQS, and outputs data from IO interfaces according to TCLK clock edge.

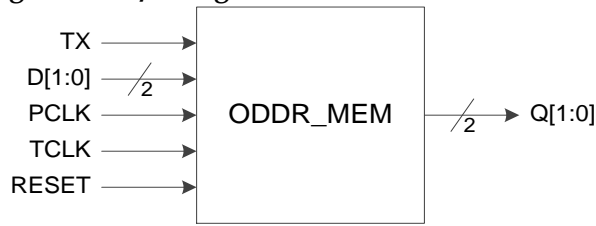
IDDR_MEM Mode

Figure 3-23 I/O Logic in IDDR_MEM Mode



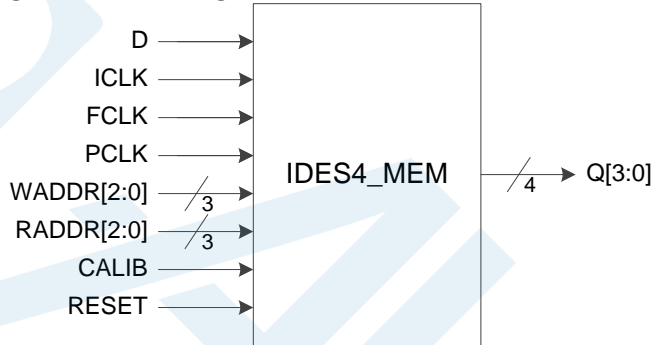
ODDR_MEM Mode

Figure 3-24 I/O Logic in ODDR_MEM Mode



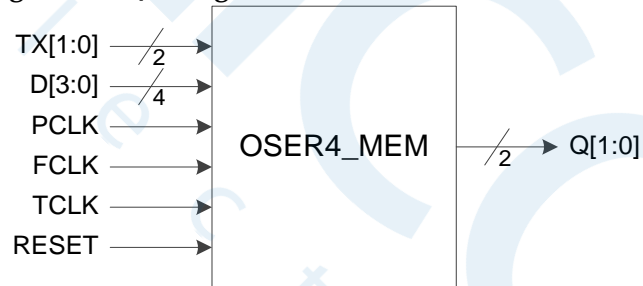
IDES4_MEM Mode

Figure 3-25 I/O Logic in IDES4_MEM Mode



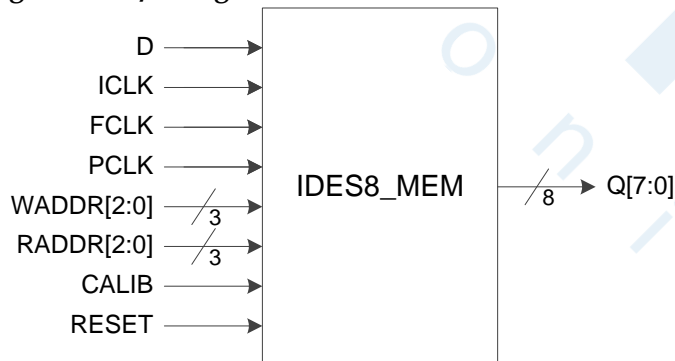
OSER4_MEM Mode

Figure 3-26 I/O Logic in OSER4_MEM Mode



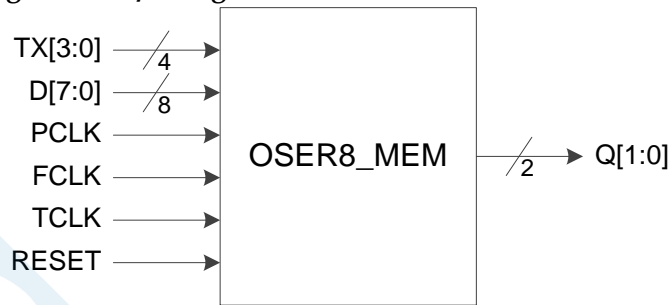
IDES8_MEM Mode

Figure 3-27 I/O Logic in IDES8_MEM Mode



OSER8_MEM Mode

Figure 3-28 I/O Logic in OSER8_MEM Mode



3.4 Block SRAM (BSRAM)

3.4.1 Introduction

The GW2A series of FPGA products provide abundant SRAM. The Block SRAM (BSRAM) is embedded as a row in the FPGA array and is different from SSRAM (Shadow SRAM). Each BSRAM occupies three columns of CFU in the FPGA array. Each BSRAM has 18,432 bits (18Kbits). There are five operation modes: single port, dual port, semi-dual port, ROM, and FIFO. The signals and functional descriptions of BSRAM are listed in the following table.

An abundance of BSRAM resources provide a guarantee for the user's high-performance design. BSRAM features include the following:

- Max.18,432 bits per BSRAM
- BSRAM itself can run at 380 MHz at max (typical, Read-before-write is 230MHz)
- Single port
- Dual port
- Semi-dual port
- Parity bits
- ROM
- Data width from 1 to 36 bits
- Mixed clock mode
- Mixed data width mode
- Enable Byte operation for double byte or above
- Normal read and write mode
- Read-before-write mode
- Write-through mode

3.4.2 Configuration Mode

The BSRAM mode in the GW2A series of FPGA products supports different data bus widths. See Table 3-4.

Table 3-4 Memory Size Configuration

| Single Port Mode | Dual Port Mode | Semi-Dual Port Mode | Read Only |
|------------------|----------------|---------------------|-----------|
| 16K x 1 | 16K x 1 | 16K x 1 | 16K x 1 |
| 8K x 2 | 8K x 2 | 8K x 2 | 8K x 2 |
| 4K x 4 | 4K x 4 | 4K x 4 | 4K x 4 |
| 2K x 8 | 2K x 8 | 2K x 8 | 2K x 8 |
| 1K x 16 | 1K x 16 | 1K x 16 | 1K x 16 |
| 512 x 32 | - | 512 x 32 | 512 x 32 |
| 2K x 9 | 2K x 9 | 2K x 9 | 2K x 9 |
| 1K x 18 | 1K x 18 | 1K x 18 | 1K x 18 |
| 512 x 36 | - | 512 x 36 | 512 x 36 |

Single Port Mode

In the single port mode, BSRAM can write to or read from one port at one clock edge. During the write operation, the data can show up at the output of BSRAM. Normal-Write Mode and Write-through Mode can be supported. When the output register is bypassed, the new data will show at the same write clock rising edge.

For further information about Single Port Block Memory ports and the related description, please refer to [SUG283E, Gowin Primitives User Guide](#) > 3 Memory.

Dual Port Mode

BSRAM support dual port mode. The applicable operations are as follows:

- Two independent read
- Two independent write
- An independent read and an independent write at different clock frequencies

For further information about Dual Port Block Memory ports and the related description, please refer to [SUG283E, Gowin Primitives User Guide](#) > 3 Memory.

Semi-Dual Port Mode

Semi-Dual Port supports read and write at the same time on different ports, but it is not possible to write and read to the same port at the same time. The system only supports write on Port A, read on Port B.

For further information about Semi-Dual Port Block Memory ports and the related description, please refer to [SUG283E, Gowin Primitives User Guide](#) > 3 Memory.

Read Only

BSRAM can be configured as ROM. The ROM can be initialized during the device configuration stage, and the ROM data needs to be provided in the initialization file. Initialization completes during the device power-on process.

Each BSRAM can be configured as one 16 Kbits ROM. For further information about Read Only Port Block Memory ports and the related description, please refer to [SUG283E, Gowin Primitives User Guide > 3 Memory](#).

3.4.3 Mixed Data Bus Width Configuration

The BSRAM in the GW2A series of FPGA products supports mixed data bus width operation. In the dual port and semi-dual port modes, the data bus width for read and write can be different. For the configuration options that are available, please see Table 3-5 and Table 3-6 below.

Table 3-5 Dual Port Mixed Read/Write Data Width Configuration

| Read Port | Write Port | | | | | | |
|-----------|------------|--------|--------|--------|---------|--------|---------|
| | 16K x 1 | 8K x 2 | 4K x 4 | 2K x 8 | 1K x 16 | 2K x 9 | 1K x 18 |
| 16K x 1 | * | * | * | * | * | | |
| 8K x 2 | * | * | * | * | * | | |
| 4K x 4 | * | * | * | * | * | | |
| 2K x 8 | * | * | * | * | * | | |
| 1K x 16 | * | * | * | * | * | | |
| 2K x 9 | | | | | | * | * |
| 1K x 18 | | | | | | * | * |

Note!

"*"denotes the modes supported.

Table 3-6 Semi Dual Port Mixed Read/Write Data Width Configuration

| Read Port | Write Port | | | | | | | | |
|-----------|------------|--------|--------|--------|---------|--------|--------|---------|--------|
| | 16K x 1 | 8K x 2 | 4K x 4 | 2K x 8 | 1K x 16 | 512x32 | 2K x 9 | 1K x 18 | 512x36 |
| 16K x 1 | * | * | * | * | * | * | | | |
| 8K x 2 | * | * | * | * | * | * | | | |
| 4K x 4 | * | * | * | * | * | * | | | |
| 2K x 8 | * | * | * | * | * | * | | | |
| 1K x 16 | * | * | * | * | * | * | | | |
| 512x32 | * | * | * | * | * | * | | | |
| 2K x 9 | | | | | | | * | * | * |
| 1K x 18 | | | | | | | * | * | * |

Note!

"*"denotes the modes supported.

3.4.4 Byte-enable

The BSRAM in the GW2A series of FPGA products supports byte-enable. For data longer than a byte, the additional bits can be blocked, and only the selected portion can be written into. The blocked bits will be retained for future operation. Read/write enable ports (WREA, WREB), and byte-enable parameter options can be used to control the BSRAM write operation.

3.4.5 Parity Bit

There are parity bits in BSRAMs. The 9th bit in each byte can be used as a parity bit to check the correctness of data transmission. It can also be used for data storage.

3.4.6 Synchronous Operation

- All the input registers of BSRAM support synchronous write.
- The output register can be used as a pipeline register to improve design performance.
- The output registers are bypass-able.

3.4.7 Power up Conditions

BSRAM initialization is supported when powering up. During the power-up process, BSRAM is in standby mode, and all the data outputs are "0". This also applies in ROM mode.

3.4.8 BSRAM Operation Modes

BSRAM supports five different operations, including two read operations (Bypass Mode and Pipeline Read Mode) and three write operations (Normal Write Mode, Write-through Mode, and Read-before-write Mode).

Read Mode

Read data from the BSRAM via output registers or without using the registers.

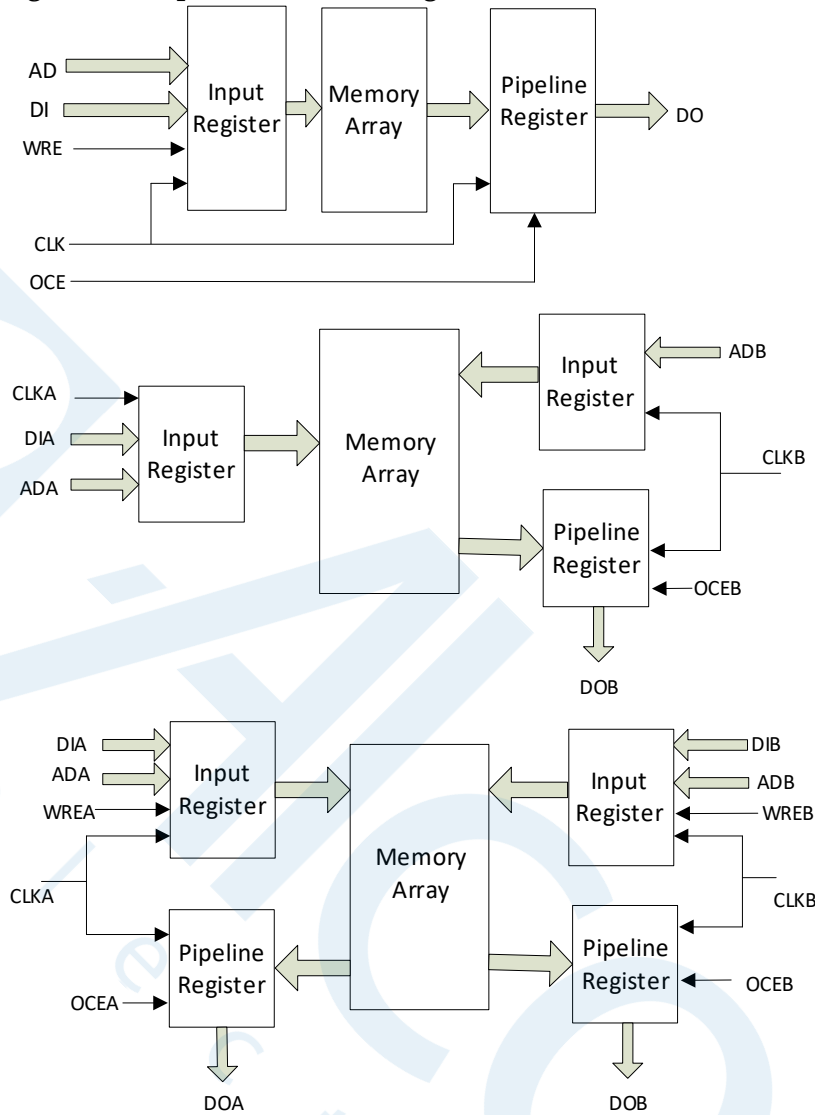
Pipeline Mode

While writing in the BSRAM, the output register and pipeline register are also being written. The data bus can be up to 36 bits in this mode.

Bypass Mode

The output register is not used. The data is kept in the output of the memory array.

Figure 3-29 Pipeline Mode in Single Port, Dual Port and Semi-Dual Port



Write Mode

NORMAL WRITE MODE

In this mode, when the user writes data to one port, and the output data of this port does not change. The data written in will not appear at the read port.

WRITE-THROUGH MODE

In this mode, when the user writes data to one port, and the data written in will also appear at the output of this port.

READ-BEFORE-WRITE MODE

In this mode, when the user writes data to one port, and the data written in will be stored in the memory according to the address. The original data in this address will appear at the output of this port.

3.4.9 Clock Operations

Table 3-7 lists the clock operations in different BSRAM modes:

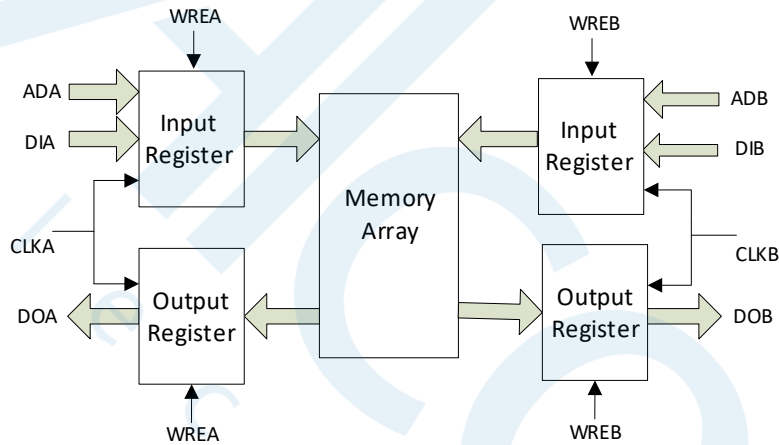
Table 3-7 Clock Operations in Different BSRAM Modes

| Clock Operations | Dual Port Mode | Semi-Dual Port Mode | Single Port Mode |
|------------------------|----------------|---------------------|------------------|
| Independent Clock Mode | Yes | No | No |
| Read/Write Clock Mode | Yes | Yes | No |
| Single Port Clock Mode | No | No | Yes |

Independent Clock Mode

Figure 3-30 shows the independent clocks in the dual port mode with each port with one clock. CLKA controls all the registers at Port A; CLKB controls all the registers at Port B.

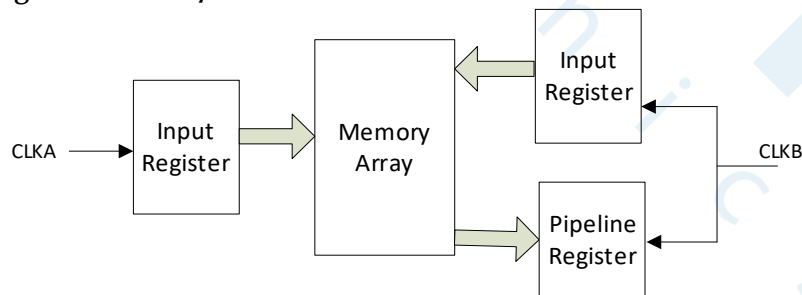
Figure 3-30 Independent Clock Mode



Read/Write Clock Operation

Figure 3-31 shows the read/write clock operations in the semi-dual port mode with one clock at each port. The write clock (CLKA) controls Port A data inputs, write address and read/write enable signals. The read clock (CLKB) controls Port B data output, read address, and read enable signals.

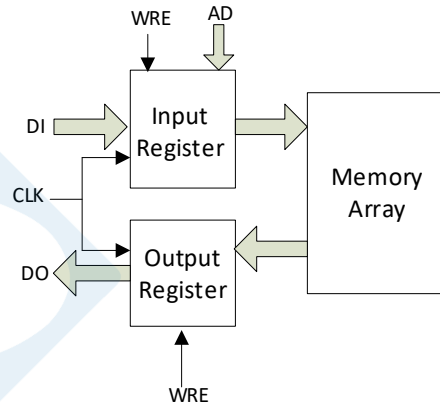
Figure 3-31 Read/Write Clock Mode



Single Port Clock Mode

Figure 3-32 shows the clock operation in single port mode.

Figure 3-32 Single Port Clock Mode



3.5 DSP

3.5.1 Introduction

The GW2A series of FPGA products have abundant DSP modules. Gowin DSP solutions can meet user demands for high performance digital signal processing design, such as FIR, FFT, etc. DSP blocks have the advantages of stable timing performance, high-usage, and low-power.

DSP offers the following functions:

- Multiplier with three widths: 9-bit, 18-bit, 36-bit
- 54-bit ALU
- Multipliers cascading to support wider data
- Barrel Shifter
- Adaptive filtering through signal feedback
- Computing with options to round to a positive number or a prime number
- Supports pipeline mode and bypass mode.

Macro

DSP blocks are embedded as a row in the FPGA array. Each DSP occupies nine CFU columns. Each DSP block contains two Macros, and each Macro contains two pre-adders, two 18 x 18 bit multipliers, and one 3 input ALU.

Figure 3-33 shows the structure of one Macro:

Figure 3-33 DSP Macro

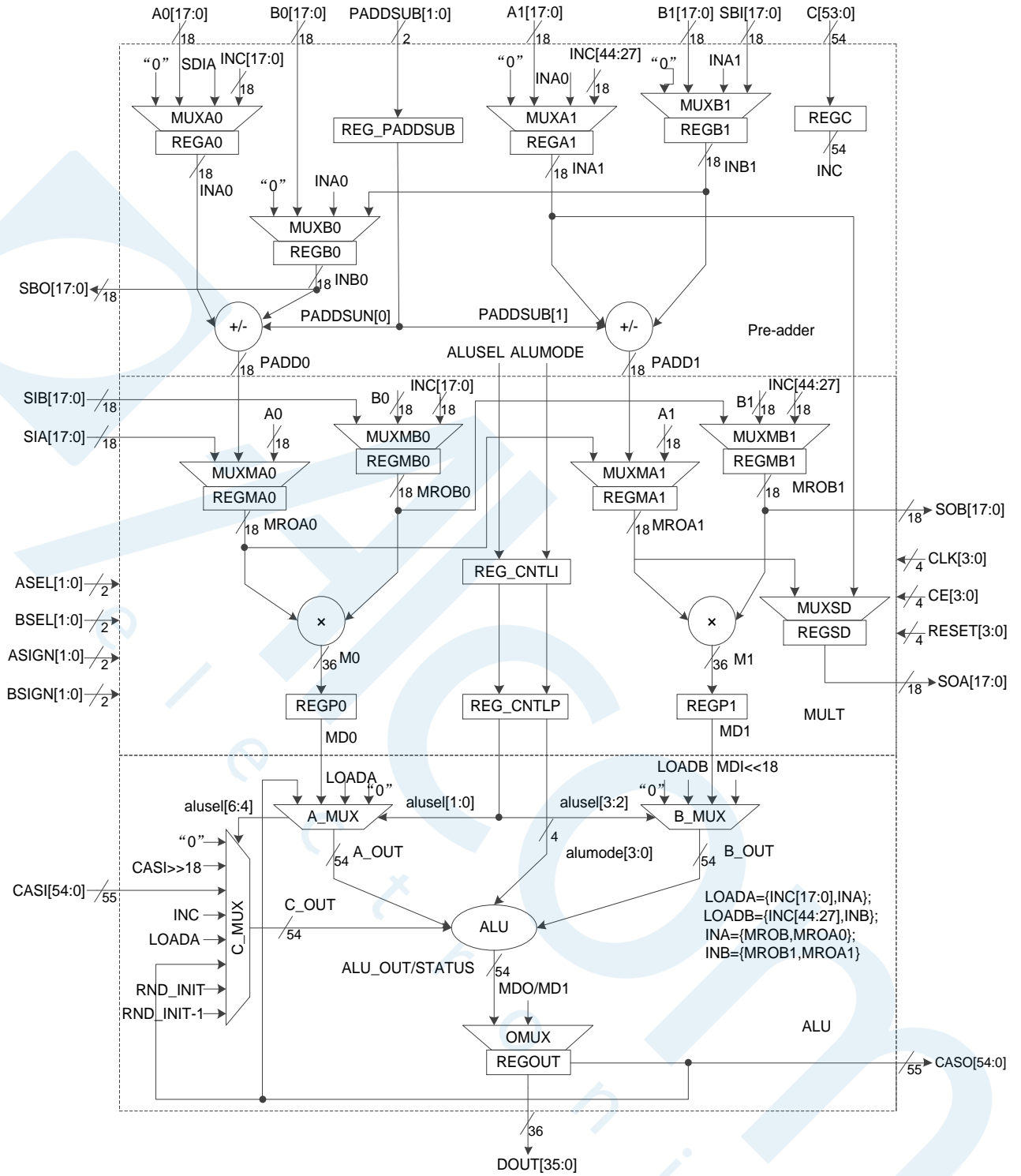


Table 3-8 shows DSP ports description.

Table 3-9 shows internal registers.

Table 3-8 DSP Ports Description

| Port Name | I/O | Description |
|-----------|-----|----------------------|
| A0[17:0] | I | 18-bit data input A0 |
| B0[17:0] | I | 18-bit data input B0 |
| A1[17:0] | I | 18-bit data input A1 |

| Port Name | I/O | Description |
|--------------|-----|--|
| B1[17:0] | I | 18-bit data input B1 |
| C[53:0] | I | 54-bit data input C |
| SIA[17:0] | I | Shift data input A, used for CASCADE connection. The input signal SIA is directly connected to the output signal SOA of previously adjacent DSP and the delay from SIA to SOA inside a DSP is one clock cycle. |
| SIB[17:0] | I | Shift data input B, used for CASCADE connection. The input signal SIB is directly connected to the output signal SOB of previously adjacent DSP and the delay from SIB to SOB inside a DSP is one clock cycle. |
| SBI[17:0] | I | Pre - adder logic shift input, backward direction. |
| CASI[54:0] | I | ALU input from previous DSP block, used for cascade connection. |
| PADDSI0[1:0] | I | Source select for Multiplier or pre-adder input A |
| BSEL[1:0] | I | Source select for Multiplier input B |
| ASIGN[1:0] | I | Sign bit for input A |
| BSIGN[1:0] | I | Sign bit for input B |
| PADDSUB[1:0] | I | Operation control signals of pre-adder, used for pre-adder logic add/subtract selection |
| CLK[3:0] | I | Clock input |
| CE[3:0] | I | Clock Enable |
| RESET[3:0] | I | Reset input, synchronous or asynchronous |
| SOA[17:0] | O | Shift data output A |
| SOB[17:0] | O | Shift data output B |
| SBO[17:0] | O | Pre - adder logic shift output, backward direction. |
| DOUT[35:0] | O | DSP output data |
| CASO[54:0] | O | ALU output to next DSP block for cascade connection, the highest bit is sign-extended. |

Table 3-9 Internal Registers Description

| Register | Description and Associated Attributes |
|-----------------|--|
| A0 register | Registers for A0 input |
| A1 register | Registers for A1 input |
| B0 register | Registers for B0 input |
| B1 register | Registers for B1 input |
| C register | C register |
| P1_A0 register | Registers for A0 input of left multiplier |
| P1_A1 register | Registers for A1 input of right multiplier |
| P1_B0 register | Registers for B0 input of left multiplier |
| P1_B1 register | Registers for B1 input of right multiplier |
| P2_0 register | Registers for pipeline of left multiplier |
| P2_1 register | Registers for pipeline of right multiplier |
| OUT register | Registers for DOUT output |
| OPMODE register | Registers for operation mode control |
| SOA register | Registers for shift output at port SOA |

PADD

Each DSP macro features two units of pre-adders to implement

pre-add, pre-subtraction, and shifting.

PADD locates at the first stage with two inputs.,

- Parallel 18-bit input B or SBI;
- Parallel 18-bit input A or SIA.

Each input end supports pipeline mode and bypass mode.

GOWINSEMI PADD can be used as function block independently, which supports 9-bit and 18-bit width.

MULT

Multipliers locate after the pre-adder. Multipliers can be configured as 9 x 9, 18 x 18, 36 x 18 or 36 x 36. Pipeline Mode and Bypass Mode are supported both in input and output ports. The configuration modes that a macro supports include:

- One 18 x 36 multiplier
- Two 18 x 18 multipliers
- Four 9 x 9 multipliers

Two adjacent DSP macros can form a 36 x 36 multiplier.

ALU

Each Macro has one 54 bits ALU54, which can further enhance MULT's functions. The registered and bypass mode are supported both in input and output ports. The functions are as following:

- Multiplier output data / 0, addition/subtraction operations for data A and data B;
- Multiplier output data / 0, addition/subtraction operations for data B and bit C;
- Addition/subtraction operations for data A, data B, and bit C;

3.5.2 DSP Operations

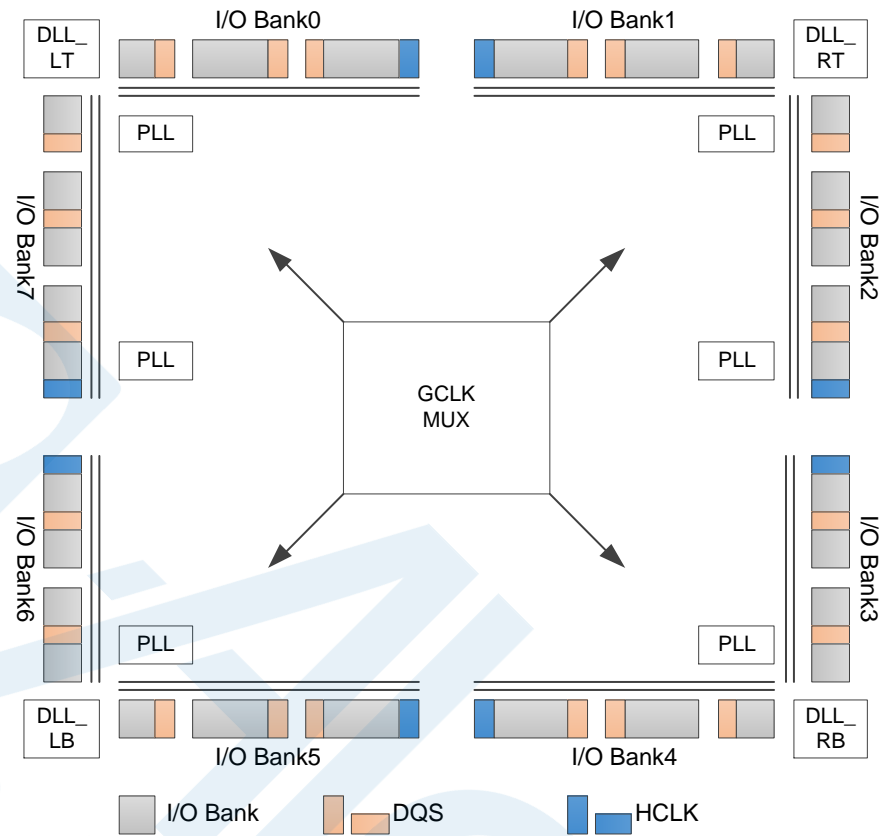
Based on ALUSEL [6:0] and ALUMODE [3:0], DSP can be configured as different operation modes: Operation Mode:

- Multiplier
- Accumulator
- MULTADDALU

3.6 Clock

The clock resources and wiring are critical for high-performance applications in FPGA. The GW2A series of FPGA products provide the global clock network (GCLK) which connects to all the registers directly. Besides the global clock network, the GW2A series of FPGA products provide PLL, high speed clock HCLK, DDR memory interface, DQS, etc.

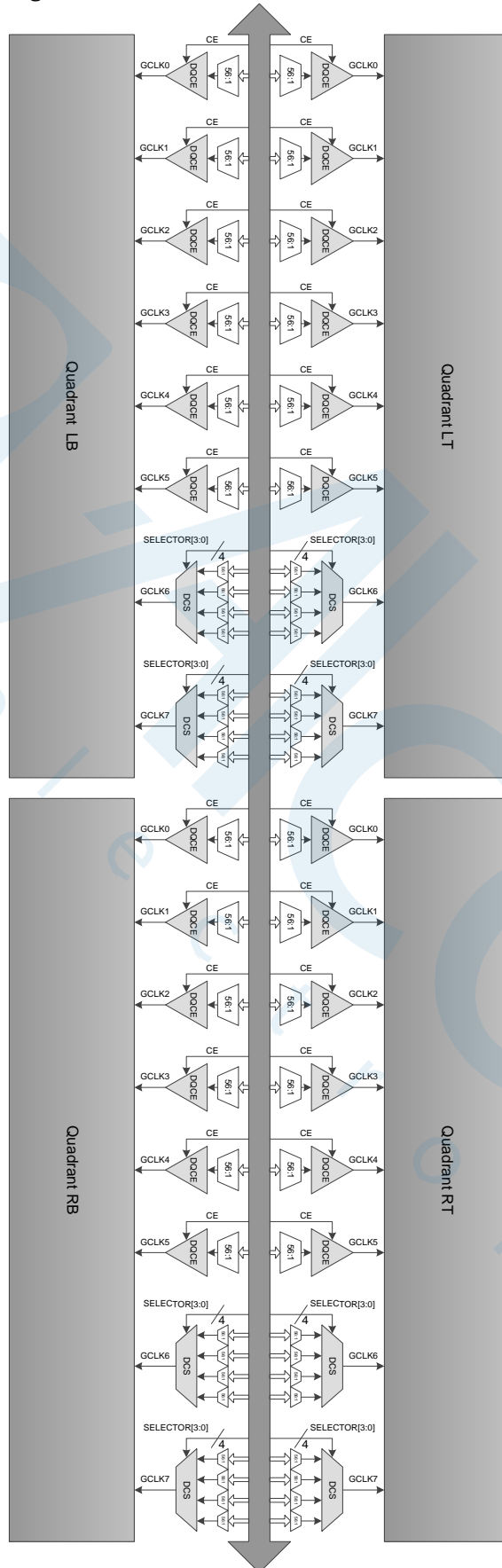
Figure 3-34 GW2A Clock Resources



3.6.1 Global Clock

GCLK is distributed in the GW2A devices as four quadrants. Each quadrant provides eight GCLKs. The optional clock resources of GCLK can be pins or CRU. Users can employ dedicated pins as clock resources to achieve better timing.

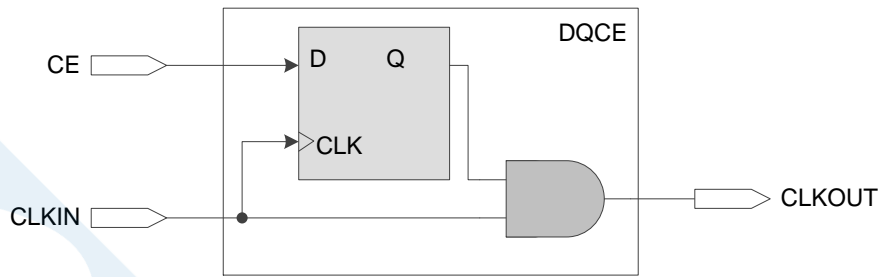
Figure 3-35 GCLK Quadrant Distribution



GCLK0~GCLK5 can be turned on or off by Dynamic Quad Clock

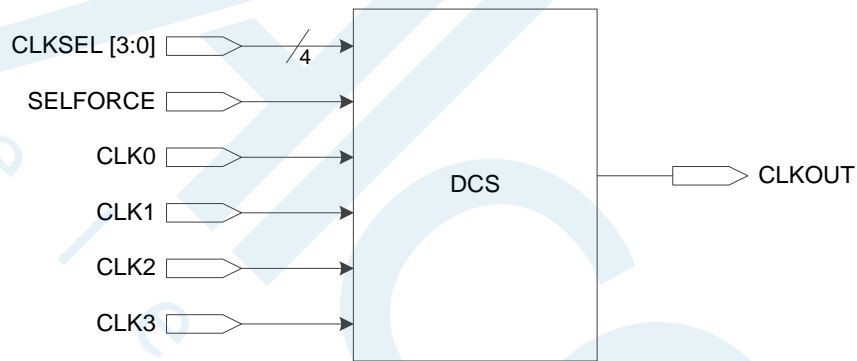
Enable (DQCE). When GCLK0~GCLK5 in the quadrant is off, all the logic driven by it will not toggle; therefore, lower power can be achieved.

Figure 3-36 DQCE Concept



GCLK6~GCLK7 of each quadrant is controlled by the DCS, as shown in Figure 3-37. Select dynamically between CLK0~CLK3 by CRU, and output a glitch-free clock.

Figure 3-37 DCS Concept

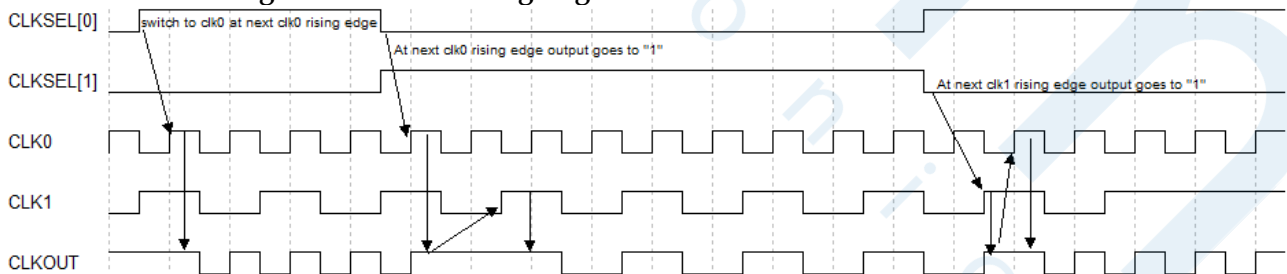


DCS can be configured in the following modes:

- DCS Rising Edge

Stay as 1 after current selected clock rising edge, and the new select clock will be effective after its first rising edge, as shown in Figure 3-38.

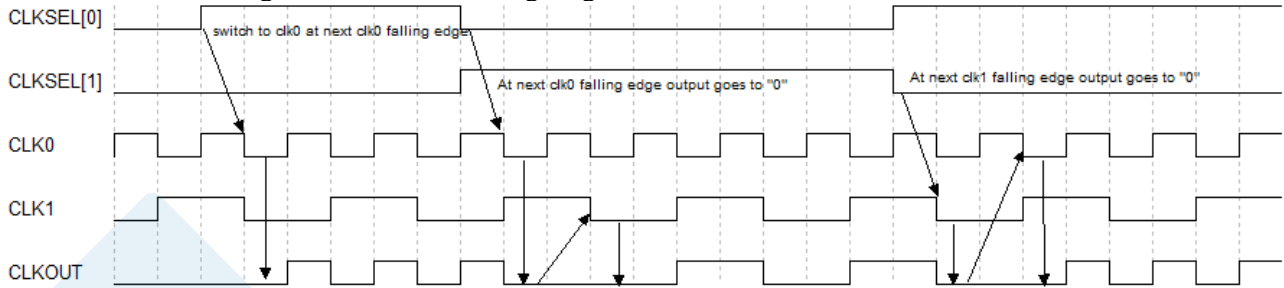
Figure 3-38 DCS Rising Edge



- DCS Falling Edge

Stay as 0 after current selected clock falling edge, and the new select clock will be effective after its first falling edge, as shown in Figure 3-39.

Figure 3-39 DCS Falling Edge



- **Clock Buffer Mode**

In this mode, DCS acts as a clock buffer.

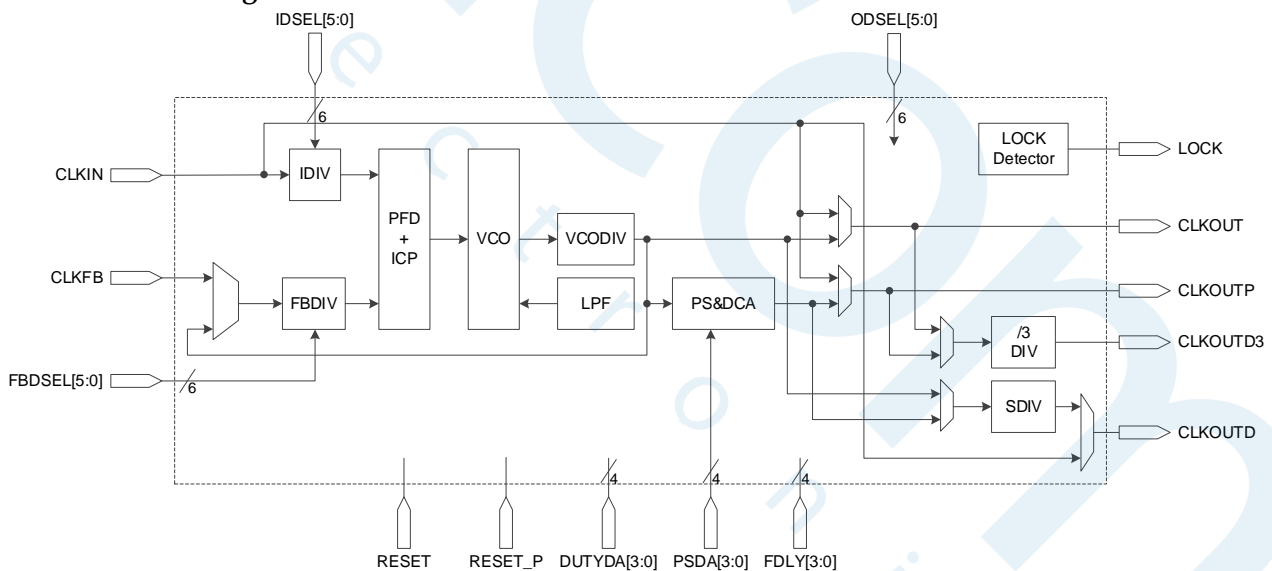
3.6.2 PLL

PLL (Phase-locked Loop) is one kind of a feedback control circuit. The frequency and phase of the internal oscillator signal is controlled by the external input reference clock.

PLL blocks in the GW2A series of FPGA products provide the ability to synthesize clock frequencies. Frequency adjustment (multiply and division), phase adjustment, and duty cycle can be adjusted by configuring the parameters.

See Figure 3-40 for the PLL structure.

Figure 3-40 PLL Structure



See Table 3-10 for a definition of the PLL ports.

Table 3-10 PLL Ports Definition

| Port Name | Signal | Description |
|-------------|--------|-------------------------------------|
| CLKIN [5:0] | I | Reference clock input |
| CLKFB | I | Feedback clock input |
| RESET | I | PLL reset |
| RESET_P | I | PLL Power Down |
| INSEL[2:0] | I | Dynamic clock control selector: 0~5 |

| Port Name | Signal | Description |
|--------------|--------|---|
| IDSEL [5:0] | I | Dynamic IDIV control: 1~64 |
| FBDSEL [5:0] | I | Dynamic FBDIV control:1~64 |
| PSDA [3:0] | I | Dynamic phase control (rising edge effective) |
| DUTYDA [3:0] | I | Dynamic duty cycle control (falling edge effective) |
| FDLY[3:0] | I | CLKOUTP dynamic delay control |
| CLKOUT | O | Clock output with no phase and duty cycle adjustment |
| CLKOUTP | O | Clock output with phase and duty cycle adjustment |
| CLKOUTD | O | Clock divider from CLKOUT and CLKOUTP (controlled by SDIV) |
| CLKOUTD3 | O | clock divider from CLKOUT and CLKOUTP (controlled by DIV3 with the constant division value 3) |
| LOCK | O | PLL lock status: 1 locked, 0 unlocked |

The PLL reference clock source can come from an external PLL pin or from internal routing GCLK, HCLK, or general data signal. PLL feedback signal can come from the external PLL feedback input or from internal routing GCLK, HCLK, or general data signal.

For further PLL features, please refer to [4.4.6 PLL Switching Characteristic](#).

PLL can adjust the frequency of the input clock CLKIN (multiply and division). The formulas for doing so are as follows:

1. $f_{\text{CLKOUT}} = (f_{\text{CLKIN}} * \text{FBDIV}) / \text{IDIV}$
2. $f_{\text{VCO}} = f_{\text{CLKOUT}} * \text{ODIV}$
3. $f_{\text{CLKOUTD}} = f_{\text{CLKOUT}} / \text{SDIV}$
4. $f_{\text{PFD}} = f_{\text{CLKIN}} / \text{IDIV} = f_{\text{CLKOUT}} / \text{FBDIV}$

Note!

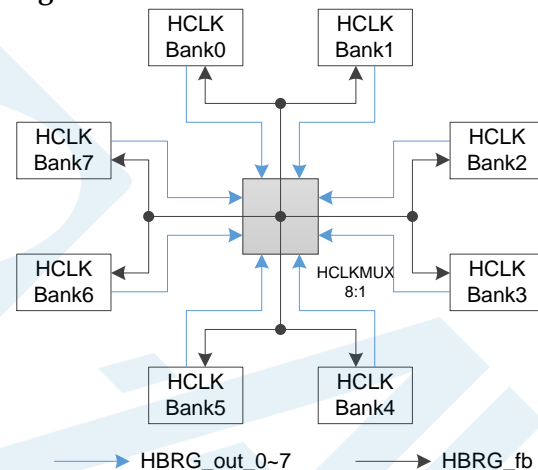
- f_{CLKIN} : The frequency of the input clock CLKIN
- f_{CLKOUT} : The clock frequency of CLKOUT and CLKOUTP
- f_{CLKOUTD} : The clock frequency of CLKOUTD, and CLKOUTD is the clock CLKOUT after division
- f_{PFD} : PFD Phase Comparison Frequency, and the minimum value of f_{PFD} should be no less than 3MHz

Adjust IDIV, FBDIV, ODIV, and SDIV to achieve the required clock frequency.

3.6.3 HCLK

HCLK is the high-speed clock in the GW2A series FPGA products, which can support high-speed data transfer and is mainly suitable for source synchronous data transfer protocols. See Figure 3-41.

Figure 3-41 GW2A HCLK Distribution



As shown in Figure 3-41, there is an 8: 1 HCLKMUX module in the middle of the high-speed clock HCLK. HCLKMUX can send HCLK clock signal from any Bank to any other bank, which makes the use of HCLK more flexible.

HCLK can provide user with the function modules as follows:

- DHCEN: Dynamic high-speed clock enable module, functions similar to DQCE. Dynamically turn on / off high-speed clock signal.
- CLKDIV/ CLKDIV2: high-speed clock divider module, each bank has a CLKDIV. Generates a clock divided by the input clock phase, which is used in the IO logic mode.
- DCS: Dynamic High Speed Clock Selector.
- DLLDLY: The dynamic delay adjustment module, the clock signal for the dedicated clock pin input.

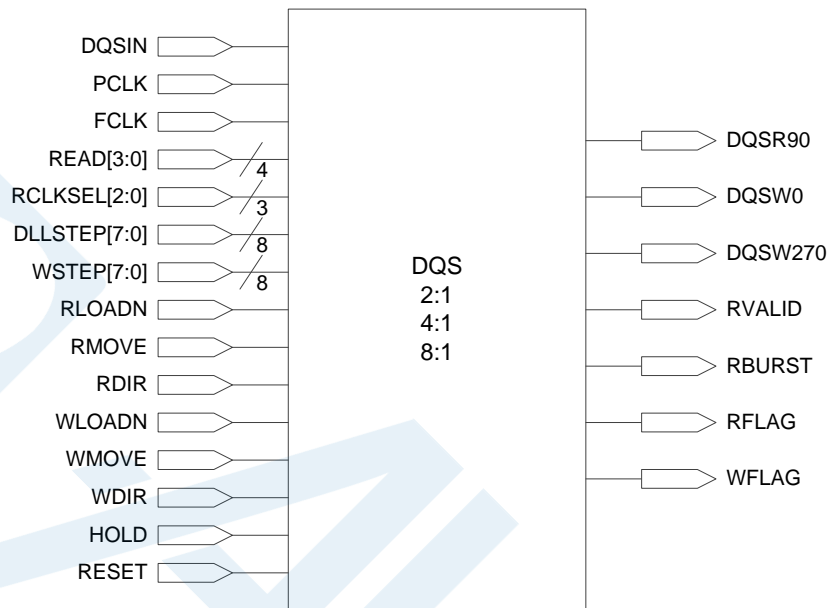
3.6.4 DDR Memory Interface Clock Management DQS

The DQS module of the GW2A series of FPGA products provides the following features to support the clock requirements of the DDR memory interface:

- Receive DQS input, sort out waveform and shift 1/4 phase
- Provide a read / write pointer for input cache
- Provide valid data for internal logic
- Provide DDR output clock signal
- Support DDR3 write voltage control

The DQS module has three operating modes to meet the needs of different I/O interfaces, as shown in Figure 3-42.

Figure 3-42 DQS



CDRCLKGEN

CDRCLKGEN is used to support high-speed asynchronous input interfaces, such as SGMII. Each location has only one DQS and CDRCLKGEN.

CDRCLKDIV

The function of the clock divider module is similar to that of HCLKDIV.

3.7 Long Wire (LW)

As a supplement to the CRU, the GW2A series of FPGA products provide another routing resource - Long Wire, which can be used as clock, clock enable, set/reset, or other high fan out signals.

3.8 Global Set/Reset (GSR)

A global set/reset (GSR) network is built into the GW2A series of FPGA products. There is a direct connection to core logic. It can be used as asynchronous/synchronous set. The registers in CFU and I/O can be individually configured to use GSR.

3.9 Programming Configuration

The GW2A series of FPGA products support SRAM. Each time the device is powered on, it needs to download the bit stream file to configure. Users can select to keep backup data in external Flash chip according to requirements. After power-up, the GW2A devices read configuration data

from external Flash into the SRAM.

Besides JTAG, the GW2A series of FPGA products also support GOWINSEMI's own configuration mode: GowinCONFIG (SSPI, MSPI, SERIAL, and CPU). For more detailed information, please refer to [UG290, Gowin FPGA Products Programming and Configuration User Guide](#).

3.10 On Chip Oscillator

There is an internal oscillator in each of the GW2A series of FPGA product. During the configuration process, it can provide a clock for the MSPI mode. See Table 3-11 for the output frequency. The on-chip oscillator also provides a clock resource for user designs. Up to 64 clock frequencies can be obtained by setting the parameters. The following formula is employed to get the output clock frequency:

$$f_{\text{out}}=250 \text{ MHz/Param}$$

Note!

“Param” is the configuration parameter with a range of 2~128. It supports even number only.

Table 3-11 Oscillator Output Frequency Options

| Mode | Frequency | Mode | Frequency | Mode | Frequency |
|------|---------------------|------|-----------|------|---------------------|
| 0 | 2.5MHz ¹ | 8 | 7.8MHz | 16 | 15.6MHz |
| 1 | 5.4MHz | 9 | 8.3MHz | 17 | 17.9MHz |
| 2 | 5.7MHz | 10 | 8.9MHz | 18 | 21MHz |
| 3 | 6.0MHz | 11 | 9.6MHz | 19 | 25MHz |
| 4 | 6.3MHz | 12 | 10.4MHz | 20 | 31.3MHz |
| 5 | 6.6MHz | 13 | 11.4MHz | 21 | 41.7MHz |
| 6 | 6.9MHz | 14 | 12.5MHz | 22 | 62.5MHz |
| 7 | 7.4MHz | 15 | 13.9MHz | 23 | 125MHz ² |

Note!

- [1] Default Frequency is 2.5 MHz.
- [2] 125 MHz is not suitable for MSPI.

4 AC/DC Characteristic

Note!

Users should ensure GOWINSEMI products are always used within recommended operating conditions and range. Data beyond the working conditions and range are for reference only. GOWINSEMI does not guarantee that all devices will operate as expected beyond the standard operating conditions and range.

4.1 Operating Conditions

4.1.1 Absolute Max. Ratings

Table 4-1 Absolute Max. Ratings

| Name | Description | Min. | Max. |
|-----------------------------------|----------------------|--------|---------|
| V _{CC} | Core voltage | -0.5V | 1.1V |
| V _{CCPLL} | PLL Power | -0.5V | 1.1V |
| V _{CCO} | I/O Bank Power | -0.5V | 3.75V |
| V _{CCX} | Auxiliary voltage | -0.5V | 3.75V |
| Storage Temperature | Storage Temperature | -65 °C | +150 °C |
| Junction Temperature (Industrial) | Junction Temperature | -40 °C | +125 °C |

4.1.2 Recommended Operating Conditions

Table 4-2 Recommended Operating Conditions

| Name | Description | Min. | Max. |
|----------------------|--|--------|---------|
| V _{CC} | Core voltage. | 0.95V | 1.05V |
| V _{CCPLLX} | Left PLL power supply | 0.95V | 1.05V |
| V _{CCPLLRX} | Right PLL power supply | 0.95V | 1.05V |
| V _{CCO} | I/O Bank Power | 1.14V | 3.465V |
| V _{CCX} | Auxiliary voltage | 2.7V | 3.465V |
| T _{JCOM} | Junction temperature of commercial operation | 0 °C | +85 °C |
| T _{JIND} | Junction temperature of Industrial operation | -40 °C | +100 °C |

Note!

For the detailed recommended operating conditions for different packages, please refer to [UG110, GW2A-18 Pinout](#) and [UG113, GW2A-55 Pinout](#).

4.1.3 Power Supply Ramp Rates

Table 4-3 Power Supply Ramp Rates

| Name | Description | Min. | Typ. | Max. |
|-------------------|--|-----------|------|---------|
| T _{RAMP} | Power supply ramp rates for all power supplies | 0.01mV/μs | - | 10mV/μs |

4.1.4 Hot Socket Specifications

Table 4-4 Hot Socket Specifications

| Name | Description | Condition | I/O | Max. |
|-----------------|--|--|--------------------|-------|
| I _{HS} | Input leakage current (Input or I/O leakage current) | V _{IN} =V _{IL} (MAX) | I/O | 150uA |
| I _{HS} | Input leakage current (Input or I/O leakage current) | V _{IN} =V _{IL} (MAX) | TDI,TDO TMS,TCK | 120uA |

4.1.5 POR Specifications

Table 4-5 POR Specifications

| Name | Description | Name | Min. | Max. |
|-------------|---|-------------------|-------|-------|
| POR Voltage | Power on reset voltage of V _{CC} | V _{CC} | 0.7V | 0.88V |
| | | V _{CCX} | 2.1V | 2.6V |
| | | V _{CCIO} | 0.85V | 0.98V |

4.2 ESD

Table 4-6 GW2A ESD - HBM

| Device | GW2A-18 | GW2A-55 |
|---------|------------|------------|
| QN88 | HBM>1,000V | - |
| LQ144 | HBM>1,000V | - |
| EQ144 | HBM>1,000V | - |
| MG196 | HBM>1,000V | - |
| PG256 | HBM>1,000V | - |
| PG256S | HBM>1,000V | - |
| PG256C | HBM>1,000V | - |
| PG256CF | HBM>1,000V | - |
| PG256E | HBM>1,000V | - |
| PG484 | HBM>1,000V | HBM>1,000V |
| PG1156 | - | HBM>1,000V |
| UG324 | HBM>1,000V | HBM>1,000V |
| UG324D | - | HBM>1,000V |
| UG484 | HBM>1,000V | - |
| UG676 | - | HBM>1,000V |

Table 4-7 GW2A ESD - CDM

| Device | GW2A-18 | GW2A-55 |
|---------|----------|----------|
| QN88 | CDM>500V | - |
| LQ144 | CDM>500V | - |
| EQ144 | CDM>500V | - |
| MG196 | CDM>500V | - |
| PG256 | CDM>500V | - |
| PG256S | CDM>500V | - |
| PG256C | CDM>500V | - |
| PG256CF | CDM>500V | - |
| PG256E | CDM>500V | - |
| PG484 | CDM>500V | CDM>500V |
| PG1156 | - | CDM>500V |
| UG324 | CDM>500V | CDM>500V |
| UG324D | - | CDM>500V |
| UG484 | - | CDM>500V |
| UG676 | - | CDM>500V |

4.3 DC Electrical Characteristics

4.3.1 DC Electrical Characteristics over Recommended Operating Conditions

Table 4-8 DC Electrical Characteristics over Recommended Operating Conditions

| Name | Description | Condition | Min. | Typ. | Max. |
|------------------|---------------------------------------|---|----------------------|--------------------|----------------------|
| I_{IL}, I_{IH} | Input or I/O leakage | $V_{CCO} < V_{IN} < V_{IH}(\text{MAX})$ | - | - | 210 μA |
| | | $0V < V_{IN} < V_{CCO}$ | - | - | 10 μA |
| I_{PU} | I/O Active Pull-up Current | $0 < V_{IN} < 0.7V_{CCO}$ | - | -100 μA | - |
| I_{PD} | I/O Active Pull-down Current | $V_{IL}(\text{MAX}) < V_{IN} < V_{CCO}$ | - | 100 μA | - |
| I_{BHLS} | Bus Hold Low Sustaining Current | $V_{IN} = V_{IL}(\text{MAX})$ | 30 μA | - | - |
| I_{BHHS} | Bus Hold High Sustaining Current | $V_{IN} = 0.7V_{CCO}$ | -30 μA | - | - |
| I_{BHLO} | Bus Hold Low Overdrive Current | $0 \leq V_{IN} \leq V_{CCO}$ | - | - | 150 μA |
| I_{BHHO} | Bus Hold High Overdrive Current | $0 \leq V_{IN} \leq V_{CCO}$ | - | - | -150 μA |
| V_{BHT} | Bus hold trip points | - | $V_{IL}(\text{MAX})$ | - | $V_{IH}(\text{MIN})$ |
| C1 | I/O Capacitance | - | - | 5pF | 8pF |
| V_{HYST} | Hysteresis for Schmitt Trigger inputs | $V_{CCO} = 3.3V, \text{Hysteresis} = \text{L2H}$ | - | 240mV | - |
| | | $V_{CCO} = 2.5V, \text{Hysteresis} = \text{L2H}$ | - | 140mV | - |
| | | $V_{CCO} = 1.8V, \text{Hysteresis} = \text{L2H}$ | - | 65mV | - |
| | | $V_{CCO} = 1.5V, \text{Hysteresis} = \text{L2H}$ | - | 30mV | - |
| | | $V_{CCO} = 3.3V, \text{Hysteresis} = \text{H2L}$ | - | 200mV | - |
| | | $V_{CCO} = 2.5V, \text{Hysteresis} = \text{H2L}$ | - | 130mV | - |
| | | $V_{CCO} = 1.8V, \text{Hysteresis} = \text{H2L}$ | - | 60mV | - |
| | | $V_{CCO} = 1.5V, \text{Hysteresis} = \text{H2L}$ | - | 40mV | - |
| | | $V_{CCO} = 3.3V, \text{Hysteresis} = \text{High}$ | - | 440mV | - |
| | | $V_{CCO} = 2.5V, \text{Hysteresis} = \text{High}$ | - | 270mV | - |
| | | $V_{CCO} = 1.8V, \text{Hysteresis} = \text{High}$ | - | 125mV | - |
| | | $V_{CCO} = 1.5V, \text{Hysteresis} = \text{High}$ | - | 70mV | - |

4.3.2 Static Supply Current

Table 4-9 Static Supply Current

| Name | Description | Device | Typ. |
|-----------------|-------------------------------------|------------------------|-------|
| $I_{CC}^{(1)}$ | Core Current | GW2A-55 ⁽²⁾ | 150mA |
| | | GW2A-18 | 70mA |
| $I_{CCX}^{(2)}$ | V_{CCX} current | GW2A-55 | 35mA |
| | | GW2A-18 | 15mA |
| I_{CCO} | I/O Bank current ($V_{CCO}=3.3V$) | GW2A-55 | <2mA |
| | | GW2A-18 | <2mA |

Note!

- [1] Tested with $V_{CC} = 1V$, room temperature, speed grade -8.
- [2] Tested with $V_{CCX}=3.3V$.

4.3.3 I/O Operating Conditions Recommended

Table 4-10 I/O Operating Conditions Recommended

| Name | Output V_{CCO} (V) | | | Input V_{REF} (V) | | |
|------------|----------------------|-------|-------|---------------------|------|-------|
| | Min. | Typ. | Max. | Min. | Typ. | Max. |
| LVTTTL33 | 3.135 | 3.3 | 3.465 | - | - | - |
| LVC MOS33 | 3.135 | 3.3 | 3.465 | - | - | - |
| LVC MOS25 | 2.375 | 2.5 | 2.625 | - | - | - |
| LVC MOS18 | 1.71 | 1.8 | 1.89 | - | - | - |
| LVC MOS15 | 1.425 | 1.5 | 1.575 | - | - | - |
| LVC MOS12 | 1.14 | 1.2 | 1.26 | - | - | - |
| SSTL15 | 1.425 | 1.5 | 1.575 | 0.68 | 0.75 | 0.9 |
| SSTL18_I | 1.71 | 1.8 | 1.89 | 0.833 | 0.9 | 0.969 |
| SSTL18_II | 1.71 | 1.8 | 1.89 | 0.833 | 0.9 | 0.969 |
| SSTL25_I | 2.375 | 2.5 | 2.645 | 1.15 | 1.25 | 1.35 |
| SSTL25_II | 2.375 | 2.5 | 2.645 | 1.15 | 1.25 | 1.35 |
| SSTL33_I | 3.135 | 3.3 | 3.465 | 1.3 | 1.5 | 1.7 |
| SSTL33_II | 3.135 | 3.3 | 3.465 | 1.3 | 1.5 | 1.7 |
| HSTL18_I | 1.71 | 1.8 | 1.89 | 0.816 | 0.9 | 1.08 |
| HSTL18_II | 1.71 | 1.8 | 1.89 | 0.816 | 0.9 | 1.08 |
| HSTL15 | 1.425 | 1.5 | 1.575 | 0.68 | 0.75 | 0.9 |
| PCI33 | 3.135 | 3.3 | 3.465 | - | - | - |
| LVPECL33E | 3.135 | 3.3 | 3.465 | - | - | - |
| MLVDS25E | 2.375 | 2.5 | 2.625 | - | - | - |
| BLVDS25E | 2.375 | 2.5 | 2.625 | - | - | - |
| RSDS25E | 2.375 | 2.5 | 2.625 | - | - | - |
| LVDS25E | 2.375 | 2.5 | 2.625 | - | - | - |
| SSTL15D | 1.425 | 1.5 | 1.575 | - | - | - |
| SSTL18D_I | 1.71 | 1.8 | 1.89 | - | - | - |
| SSTL18D_II | 1.71 | 1.8 | 1.89 | - | - | - |
| SSTL25D_I | 2.375 | 2.5 | 2.625 | - | - | - |
| SSTL25D_II | 2.375 | 2.5 | 2.625 | - | - | - |
| SSTL33D_I | 3.135 | 3.3 | 3.465 | - | - | - |
| SSTL33D_II | 3.135 | 3.3 | 3.465 | - | - | - |
| HSTL15D | 1.425 | 1.575 | 1.89 | - | - | - |
| HSTL18D_I | 1.71 | 1.8 | 1.89 | - | - | - |
| HSTL18D_II | 1.71 | 1.8 | 1.89 | - | - | - |

Note!

It is recommended to set the V_{CCO} of the Bank using TrueLVDS to 2.5V.

4.3.4 IOB Single - Ended DC Electrical Characteristic

Table 4-11 IOB Single - Ended DC Electrical Characteristic

| Name | V _{IL} | | V _{IH} | | V _{OL} (Max) | V _{OH} (Min) | I _{OL} (mA) | I _{OH} (mA) |
|----------------------|-----------------|--------------------------|--------------------------|------|--------------------------|--------------------------|-------------------------|-------------------------|
| | Min | Max | Min | Max | | | | |
| LVCMOS33 LVTTTL33 | -0.3V | 0.8V | 2.0V | 3.6V | 0.4V | V _{CCO} -0.4V | 4 | -4 |
| | | | | | | | 8 | -8 |
| | | | | | | | 12 | -12 |
| | | | | | | | 16 | -16 |
| | | | | | 24 | -24 | | |
| | | | | | 0.2V | V _{CCO} -0.2V | 0.1 | -0.1 |
| LVCMOS25 | -0.3V | 0.7V | 1.7V | 3.6V | 0.4V | V _{CCO} -0.4V | 4 | -4 |
| | | | | | | | 8 | -8 |
| | | | | | | | 12 | -12 |
| | | | | | 16 | -16 | | |
| | | | | | 0.2V | V _{CCO} -0.2V | 0.1 | -0.1 |
| LVCMOS18 | -0.3V | 0.35 x V _{CCO} | 0.65 x V _{CCO} | 3.6V | 0.4V | V _{CCO} -0.4V | 4 | -4 |
| | | | | | | | 8 | -8 |
| | | | | | 12 | -12 | | |
| | | | | | 0.2V | V _{CCO} -0.2V | 0.1 | -0.1 |
| LVCMOS15 | -0.3V | 0.35 x V _{CCO} | 0.65 x V _{CCO} | 3.6V | 0.4V | V _{CCO} -0.4V | 4 | -4 |
| | | | | | | | 8 | -8 |
| | | | | | 0.2V | V _{CCO} -0.2V | 0.1 | -0.1 |
| LVCMOS12 | -0.3V | 0.35 x V _{CCO} | 0.65 x V _{CCO} | 3.6V | 0.4V | V _{CCO} -0.4V | 2 | -2 |
| | | | | | | | 4 | -4 |
| | | | | | 0.2V | V _{CCO} -0.2V | 0.1 | -0.1 |
| PCI33 | -0.3V | 0.3 x V _{CCO} | 0.5 x V _{CCO} | 3.6V | 0.1 x V _{CCO} | 0.9 x V _{CCO} | 1.5 | -0.5 |
| SSTL33_I | -0.3V | V _{REF} -0.2V | V _{REF} +0.2V | 3.6V | 0.7 | V _{CCO} -1.1V | 8 | -8 |
| SSTL25_I | -0.3V | V _{REF} -0.18V | V _{REF} +0.18V | 3.6V | 0.54V | V _{CCO} -0.62V | 8 | -8 |
| SSTL25_II | -0.3V | V _{REF} -0.18V | V _{REF} +0.18V | 3.6V | NA | NA | NA | NA |
| SSTL18_II | -0.3V | V _{REF} -0.125V | V _{REF} +0.125V | 3.6V | NA | NA | NA | NA |
| SSTL18_I | -0.3V | V _{REF} -0.125V | V _{REF} +0.125V | 3.6V | 0.40V | V _{CCO} -0.40V | 8 | -8 |
| SSTL15 | -0.3V | V _{REF} -0.1V | V _{REF} +0.1V | 3.6V | 0.40V | V _{CCO} -0.40V | 8 | -8 |
| HSTL18_I | -0.3V | V _{REF} -0.1V | V _{REF} +0.1V | 3.6V | 0.40V | V _{CCO} -0.40V | 8 | -8 |
| HSTL18_II | -0.3V | V _{REF} -0.1V | V _{REF} +0.1V | 3.6V | NA | NA | NA | NA |
| HSTL15_I | -0.3V | V _{REF} -0.1V | V _{REF} +0.1V | 3.6V | 0.40V | V _{CCO} -0.40V | 8 | -8 |
| HSTL15_II | -0.3V | V _{REF} -0.1V | V _{REF} +0.1V | 3.6V | NA | NA | NA | NA |

4.3.5 IOB Differential Electrical Characteristics

Table 4-12 IOB Differential Electrical Characteristics
LVDS

| Name | Description | Condition | Min. | Typ. | Max. | Unit |
|--------------------|--|---|-----------|------|----------|---------|
| V_{INA}, V_{INB} | Input Voltage | - | 0 | - | 2.4 | V |
| V_{CM} | Input Common Mode Voltage | - | 0.05 | - | 2.35 | V |
| V_{THD} | Differential Input Threshold | Minimum Input Swing | ± 100 | - | - | mV |
| I_{IN} | Input Current | Power On or Power Off | - | - | ± 10 | μA |
| V_{OH} | Output High Voltage for V_{OP} or V_{OM} | $R_T = 100\Omega$ | - | - | 1.6 | V |
| V_{OL} | Output Low Voltage for V_{OP} or V_{OM} | $R_T = 100\Omega$ | 0.9 | - | - | V |
| V_{OD} | Output Voltage Differential | $(V_{OP} - V_{OM}), R_T=100\Omega$ | 250 | 350 | 450 | mV |
| ΔV_{OD} | Change in V_{OD} Between High and Low | - | - | - | 50 | mV |
| V_{OS} | Output Voltage Offset | $(V_{OP} + V_{OM})/2,$ $R_T=100\Omega$ | 1.125 | 1.2 | 1.375 | V |
| ΔV_{OS} | Change in V_{OS} Between High and Low | - | - | - | 50 | mV |
| I_S | Short-circuit current | $V_{OD} = 0V,$ output short-circuit | - | - | 15 | mA |

4.4 Switching Characteristic

4.4.1 Internal Switching Characteristics

Table 4-13 CFU Block Internal Timing Parameters

| Name | Description | Speed Grade | | Unit |
|-----------------|------------------------------|-------------|-------|------|
| | | Min | Max | |
| t_{LUT4_CFU} | LUT4 delay | - | 0.337 | ns |
| t_{LUT5_CFU} | LUT5 delay | - | 0.694 | ns |
| t_{LUT6_CFU} | LUT6 delay | - | 1.005 | ns |
| t_{LUT7_CFU} | LUT7 delay | - | 1.316 | ns |
| t_{LUT8_CFU} | LUT8 delay | - | 1.627 | ns |
| t_{SR_CFU} | Set/Reset to Register output | - | 0.93 | ns |
| t_{CO_CFU} | Clock to Register output | - | 0.38 | ns |

4.4.2 BSRAM Internal Timing Parameters

Table 4-14 BSRAM Internal Timing Parameters

| Name | Description | Speed Grade | | Unit |
|-------------------|--|-------------|------|------|
| | | Min | Max | |
| t_{COAD_BSRAM} | Clock to output from read address/data | - | 2.55 | ns |
| t_{COOR_BSRAM} | Clock to output from output register | - | 0.28 | ns |

4.4.3 DSP Internal Timing Parameters

Table 4-15 DSP Internal Timing Parameters

| Name | Description | Speed Grade | | Unit |
|-----------------|--|-------------|------|------|
| | | Min | Max | |
| t_{COIR_DSP} | Clock to output from input register | - | 2.40 | ns |
| t_{COPR_DSP} | Clock to output from pipeline register | - | 1.20 | ns |
| t_{COOR_DSP} | Clock to output from output register | - | 0.42 | ns |

4.4.4 External Switching Characteristics

Table 4-16 External Switching Characteristics

| Name | Description | Device | -8 | | -7 | | Unit |
|----------------------------------|------------------------------|---------|-----|------|-----|------|------|
| | | | Min | Max | Min | Max | |
| Pin-LUT-Pin Delay ⁽¹⁾ | Pin(IOxA) to Pin(IOxB) delay | GW2A-18 | - | 3.83 | - | 4.59 | ns |
| T _{HCLKdly} | HCLK tree delay | GW2A-18 | - | 0.82 | - | 0.98 | ns |
| T _{GCLKdly} | GCLK tree delay | GW2A-18 | - | 1.77 | - | 2.12 | ns |

Note!

Tested with V_{CCIO}=3.3V, V_{CCX} = 3.3V.

4.4.5 On chip Oscillator Output Frequency

Table 4-17 On chip Oscillator Output Frequency

| Name | Description | Min. | Typ. | Max. |
|--------------------|----------------------------------|-----------|-----------|-----------|
| f _{MAX} | Output Frequency(0 to+ 85°C) | 106.25MHz | 125MHz | 143.75MHz |
| | Output Frequency (-40 to +100°C) | 100MHz | 125MHz | 150MHz |
| t _{DT} | Output Clock Duty Cycle | 43% | 50% | 57% |
| t _{OPJIT} | Output Clock Period Jitter | 0.01UIPP | 0.012UIPP | 0.02UIPP |

4.4.6 PLL Switching Characteristic

Table 4-18 PLL Switching Characteristic

| Device | Speed Grade | Name | Min. | Max. |
|---------|-------------|--------|------------|---------|
| GW2A-18 | -9/-8/-7 | CLKIN | 3MHZ | 500MHZ |
| | | PFD | 3MHZ | 500MHZ |
| | | VCO | 500MHZ | 1250MHZ |
| | | CLKOUT | 3.90625MHZ | 625MHZ |
| | -6 | CLKIN | 3MHZ | 400MHZ |
| | | PFD | 3MHZ | 400MHZ |
| | | VCO | 400MHZ | 1000MHZ |
| | | CLKOUT | 3.125MHZ | 500MHZ |
| GW2A-55 | -9/-8/-7 | CLKIN | 3MHZ | 500MHZ |
| | | PFD | 3MHZ | 500MHZ |
| | | VCO | 500MHZ | 1250MHZ |
| | | CLKOUT | 3.90625MHZ | 625MHZ |
| | -6 | CLKIN | 3MHZ | 400MHZ |
| | | PFD | 3MHZ | 400MHZ |
| | | VCO | 400MHZ | 1000MHZ |
| | | CLKOUT | 3.125MHZ | 500MHZ |

4.5 Configuration Interface Timing Specification

The GW2A series of FPGA products GowinCONFIG support the following configuration modes: MSPI, SSPI, CPU, and SERIAL. For detailed information, please refer to UG290, [Gowin FPGA Products Programming and Configuration User Guide](#).

5 Ordering Information

5.1 Part Name

Figure 5-1 Part Naming Example- ES

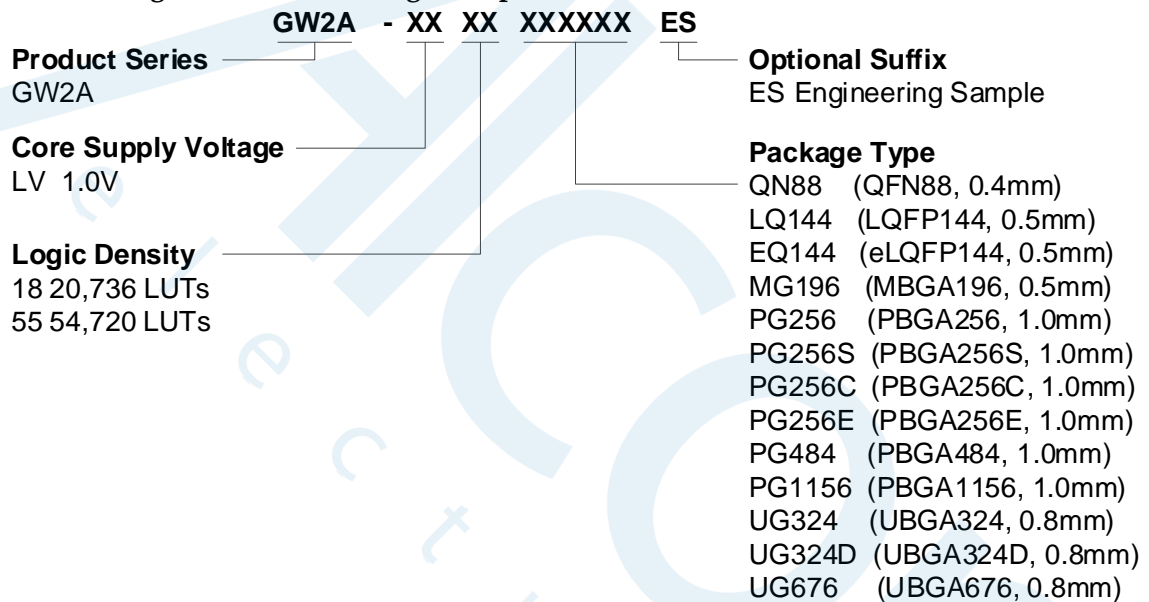
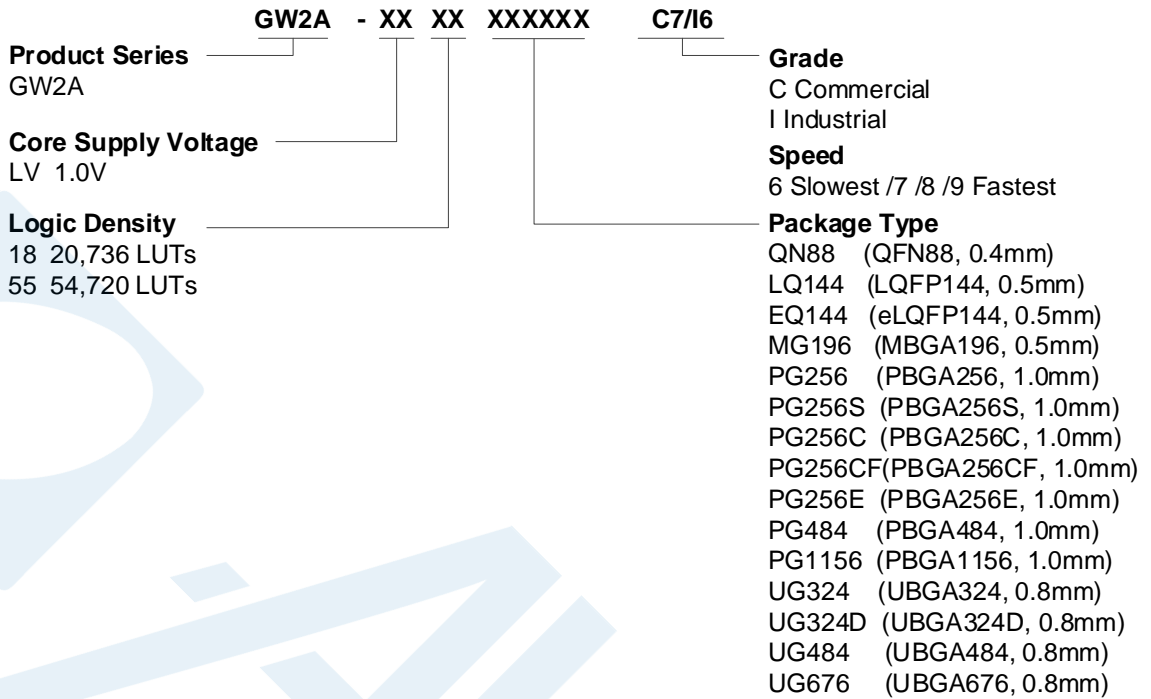


Figure 5-2 Part Naming Example- Production



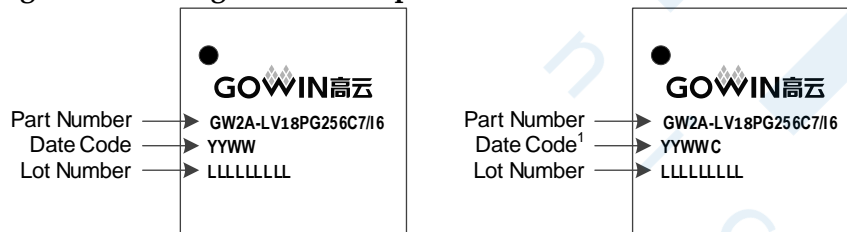
Note!

- For further information of Package type and pin number, please refer to [2.2 Product Resources](#).
- The LittleBee[®] family devices and Arora family devices of the same speed level may have different speed.
- Both “C” and “I” are used in GOWIN part name marking for one same device. GOWIN devices are screened using industrial standards, so one device can be used for both industrial (I) and commercial (C) applications. The maximum temperature of the industrial grade is 100°C, and the maximum temperature of the commercial grade is 85°C. Therefore, if the chip meets the speed level 7 in commercial grade applications, its speed level is 6 in industrial grade applications.

5.2 Package Mark Example

The device information of GOWINSEMI is marked on the chip surface, as shown in Figure 5-3.

Figure 5-3 Package Mark Example



Note!

[1] The Data Code is followed by a “C” for C version devices.



e-**A**lcom
e-**C**om
e-**r**onics
e-**o**mb

