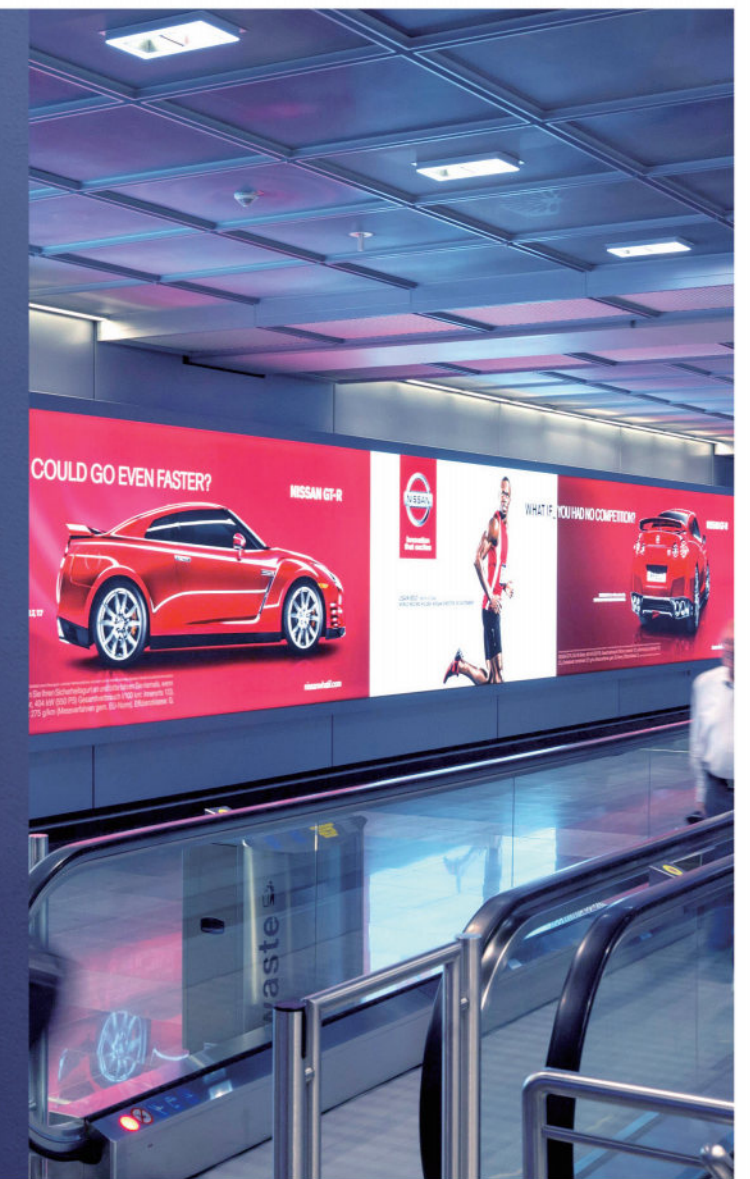


≡ DALI Dimmable Series



DALI Control



Smart



Touch



Sensor

Small size, Light weight, Easy for installation and transportation

Open Circuit; Short Circuit; Over Load

Dimmable



DA LI 2.0 Constant Voltage Dimmable Series

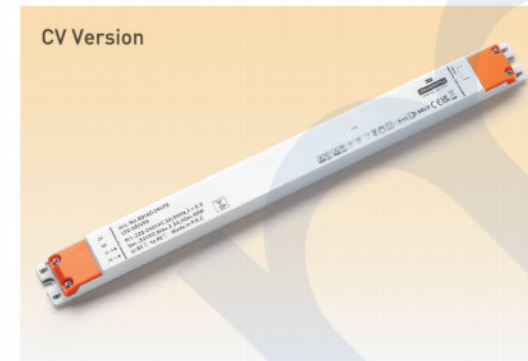
IP20 DALI2.0 Dimmable Series



SDL60-VF6/SDL60-VF8
SDL100-VF6/SDL100-VF8



CV Version

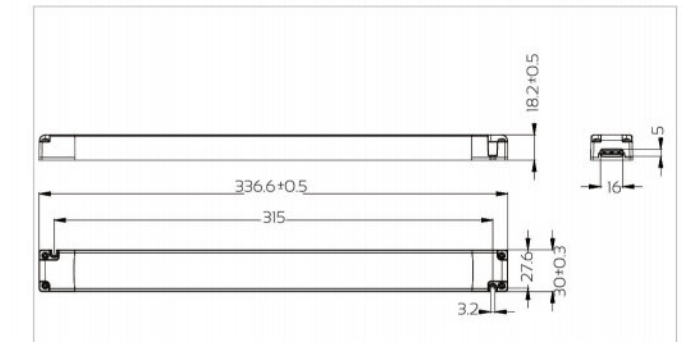
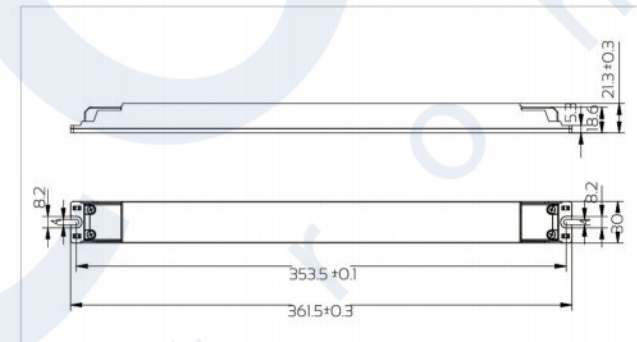


Reliable Technical Data

- Input Voltage Range: 220-240VAC
 - Input Frequency: 50Hz/60Hz
 - Output Power: 60W/100W
 - Body: Plastic case
 - Short Circuit; Over Load; Over Voltage
 - Over Heat Protection
-
- Safety According to EN61347-1, EN61347-2-13
 - EMI According to EN55015
 - EMS According to EN61000-3-2; EN61000-3-3; EN61547
 - EMF According to EN62493
 - ERP According to EU2019-2020
 - DALI 2 IEC62386



Dimension in mm



Characteristics

Input Voltage Range: 220-240VAC 50Hz/60Hz [power factor measured at AC230V and full load]



Model No.	Constant output voltage	Max output current	Power	PF	Ta	Tc	L x W x H
SDL60-12VF6	12V	5.0A	6-60W	>0.9	45°C	85°C	361.5x30x21.3
SDL60-24VF6	24V	2.5A	6-60W	>0.9	45°C	85°C	361.5x30x21.3
SDL60-48VF6	48V	1.25A	6-60W	>0.9	45°C	85°C	361.5x30x21.3
SDL60-24VF8	24V	2.5A	6-60W	>0.9	45°C	85°C	361.5x30x21.3
SDL100-12VF6	12V	8.33A	10-100W	≥0.95	45°C	85°C	336.6x30x18.2
SDL100-24VF6 0.1-100%	24V	4.16A	10-100W	≥0.95	45°C	85°C	336.6x30x18.2
SDL100-48VF6	48V	2.08A	10-100W	≥0.95	45°C	85°C	336.6x30x18.2
SDL100-24VF8	24V	4.16A	10-100W	≥0.95	45°C	85°C	336.6x30x18.2



SDL150-VF6/SDL150-VF8
SDL200-VF/SDL240-VF



CV Version

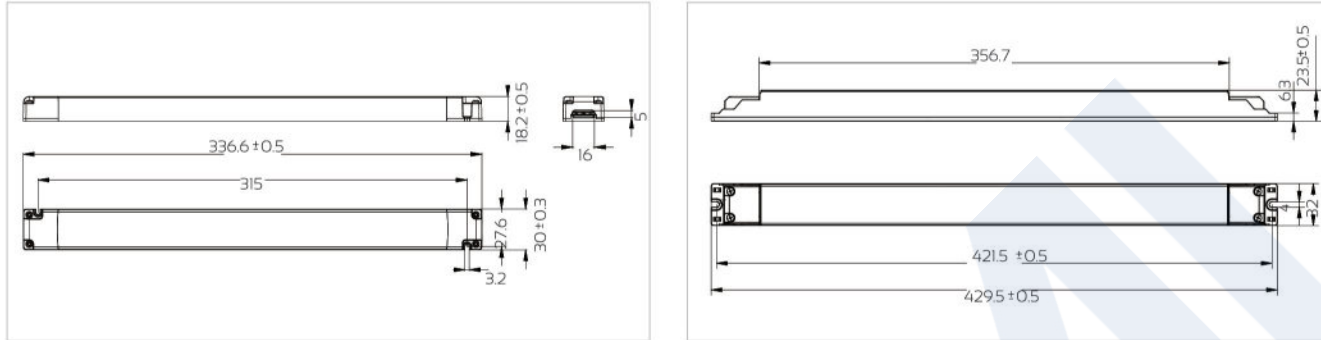


Reliable Technical Data

- Input Voltage Range: 220-240VAC
 - Input Frequency: 50Hz/60Hz
 - Output Power: 150W/200W/240W
 - Body: Plastic case
 - Short Circuit; Over Load; Over Voltage
 - Over Heat Protection
-
- Safety According to EN61347-1, EN61347-2-13
 - EMI According to EN55015
 - EMS According to EN61000-3-2; EN61000-3-3; EN61547
 - EMF According to EN62493
 - ERP According to EU2019-2020
 - DALI 2 IEC62386



Dimension in mm



Characteristics

Input Voltage Range: 220-240VAC 50Hz/60Hz (power factor measured at AC230V and full load)



Model No.	Constant output voltage	Max output current	Power	PF	Ta	Tc	L x W x H
SDL150-12VF6	12V	11A	13.2-132W	≥0.95	45°C	85°C	336.6x30x18.2
SDL150-24VF6	24V	6.25A	15-150W	≥0.95	45°C	85°C	336.6x30x18.2
SDL150-48VF6	48V	3.125A	15-150W	≥0.95	45°C	85°C	336.6x30x18.2
SDL150-24VF8	24V	6.25A	15-150W	≥0.95	45°C	85°C	336.6x30x18.2
SDL200-12VF	12V	14.16A	48-170W	≥0.9	45°C	90°C	429.5x32x23.5
SDL200-24VF	24V	8.33A	48-200W	≥0.9	45°C	90°C	429.5x32x23.5
SDL240-24VF	24V	10A	72-240W	≥0.9	45°C	90°C	429.5x32x23.5



SDL100-VF-2CH
SDL150-VF-2CH



NEW!

CV Version

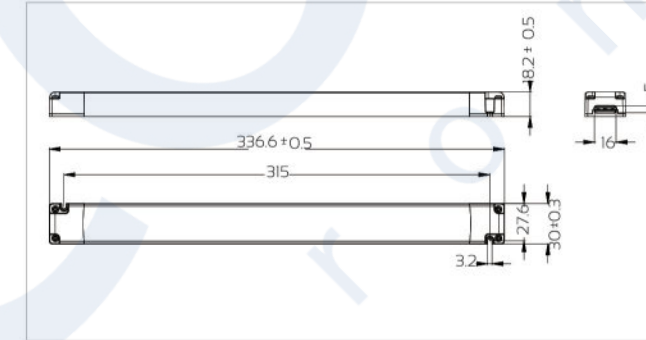


Reliable Technical Data

- Input Voltage Range: 220-240VAC
 - Input Frequency: 50Hz/60Hz
 - Output Power: 100W/150W
 - Body: Plastic case
 - Short Circuit; Over Load; Over Voltage
 - Over Heat Protection
-
- Safety According to EN61347-1, EN61347-2-13
 - EMI According to EN55015
 - EMS According to EN61000-3-2; EN61000-3-3; EN61547
 - EMF According to EN62493
 - ERP According to EU2019-2020
 - DALI 2 IEC62386



Dimension in mm

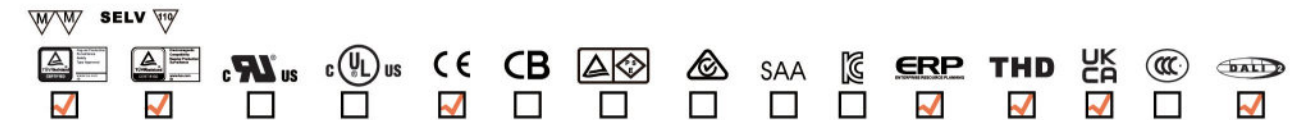


Characteristics

Input Voltage Range: 220-240VAC 50Hz/60Hz (power factor measured at AC230V and full load)



Model No.	Constant output voltage	Max output current	Power	PF	Ta	Tc	L x W x H
SDL100-24VF-2CH dual channels	24V	4.16A	10-100W	≥0.95	45°C	85°C	336.6x30x18.2
SDL150-24VF-2CH dual channels	24V	6.25A	15-150W	≥0.95	45°C	85°C	336.6x30x18.2



DALI 2.0 Constant Voltage Dimmable Series

SDN200-VL6/SDN200-VL8
SDN240-VL6/SDN240-VL8



CV Version

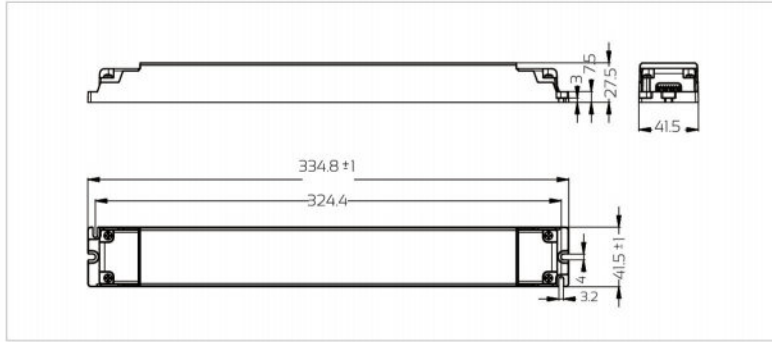


Reliable Technical Data

- Input Voltage Range:220-240VAC
- Input Frequency:50Hz/60Hz
- Output Power:200W/240W
- Body: Plastic case
- Short Circuit; Over Load; Over Voltage
- Over Heat Protection
- Safety According to EN61347-1, EN61347-2-13
- EMI According to EN55015
- EMS According to EN61000-3-2; EN61000-3-3; EN61547
- EMF According to EN62493
- ERP According to EU2019-2020
- DALI 2 IEC62386



Dimension in mm



Characteristics

Input Voltage Range:220-240VAC 50Hz/60Hz (power factor measured at AC230V and full load)



Model No.	Constant output voltage	Max output current	Power	PF	Ta	Tc	L x W x H
SDN200-24VL6	24V	8.33A	20-200W	≥0.95	45°C	90°C	334.8x41.5x27.5
SDN200-48VL6	48V	4.16A	20-200W	≥0.95	45°C	90°C	334.8x41.5x27.5
SDN200-24VL8	24V	8.33A	20-200W	≥0.95	45°C	90°C	334.8x41.5x27.5
SDN240-24VL6	24V	10A	24-240W	≥0.95	45°C	90°C	334.8x41.5x27.5
SDN240-48VL6	48V	5A	24-240W	≥0.95	45°C	90°C	334.8x41.5x27.5
SDN240-24VL8	24V	10A	24-240W	≥0.95	45°C	90°C	334.8x41.5x27.5



DALI 2.0 Constant Current Dimmable Series



SDS8-IL/SDS15-IL/SDS26-IL
SDS44-IL/SDS60-IL



NEW!

CC Version

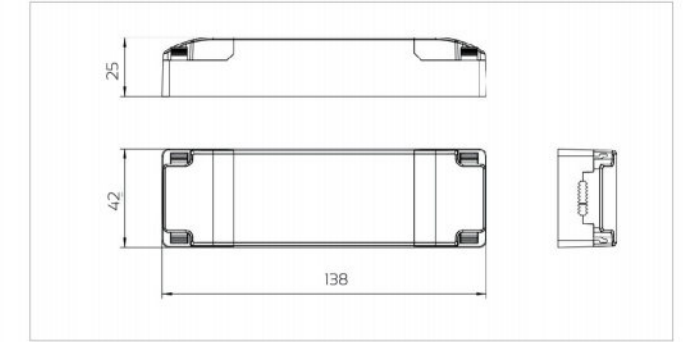
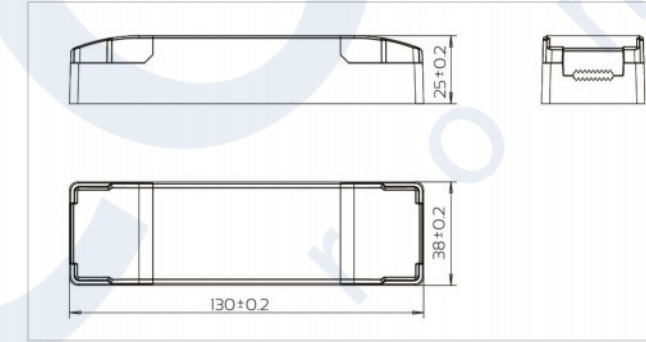


Reliable Technical Data

- Input Voltage Range:220-240VAC
- Input Frequency:50Hz/60Hz
- Output Power:8W/15W/26W/44W/60W
- Body: Plastic case
- Open Circuit; Short Circuit; Over Load;
- Over Heat Protection
- Safety According to EN61347-1, EN61347-2-13
- EMI According to EN55015
- EMS According to EN61000-3-2; EN61000-3-3; EN61547
- EMF According to EN62493
- ERP According to EU2019-2020
- DALI 2 IEC62386



Dimension in mm

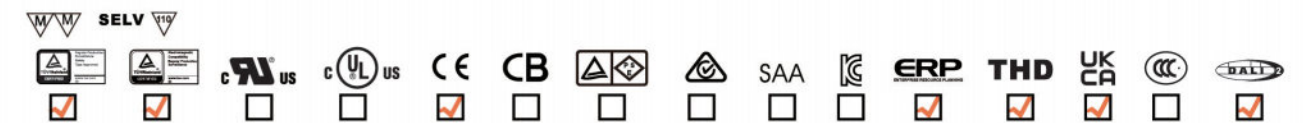


Characteristics

Input Voltage Range: AC220-240V 50/60Hz (power factor measured at AC230V and full load)



Model No.	Constant output current	Load	Output voltage range	PF	Ta	Tc	L x W x H
SDS8-700IL	350-700mA	1.8-8W	5-21VDC	≥0.9	50°C	80°C	130x38x25
SDS15-350IL	120-350mA	1.5-15W	9-48VDC	≥0.95	50°C	80°C	130x38x25
SDS26-700IL	160-700mA	4.8-26W	20-50VDC	≥0.95	45°C	85°C	138x42x25
SDS44-1050IL	700-1050mA	14-44W	20-50VDC	≥0.95	45°C	85°C	138x42x25
SDS60-1400IL	700-1400mA	24.5-60W	35-50VDC	≥0.9	45°C	85°C	163x47.5x28

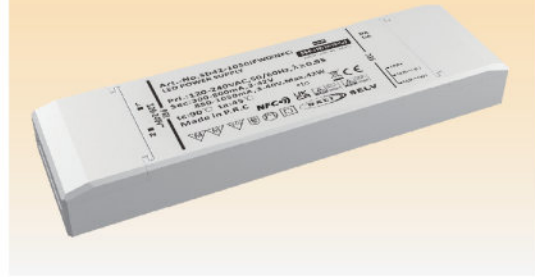


DALI 2.0 Constant Current Dimmable Series

SD42-IFWD
SD42-IFWD(NFC)



CC Version



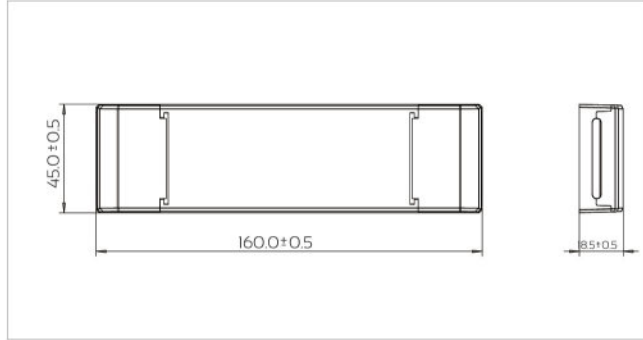
Reliable Technical Data

- Input Voltage Range: 220-240VAC
- Input Frequency: 50/60Hz
- Output Power: 42W
- Body: Plastic case
- Open Circuit; Short Circuit; Over Load;

- Safety According to EN61347-1, EN61347-2-13
- EMI According to EN55015
- EMS According to EN61000-3-2; EN61000-3-3; EN61547
- EMF According to EN62493
- ERP According to EU2019-2020



Dimension in mm



Characteristics

Input Voltage Range: AC220-240V 50/60Hz (power factor measured at AC230V and full load)



Model No.	Constant output current	Load	Max Output current	PF	Ta	Tc	L x W x H
SD42-1050IFWD	1050mA	42W Max	300-1050A	≥0.95	45°C	90°C	160x45x18.5



Model No.	Constant output current	Load	Max Output current	PF	Ta	Tc	L x W x H
SD42-1050IFWD(NFC)	1050mA	42W Max	300-1050A	≥0.95	45°C	90°C	160x45x18.5



CASAMBI Linetype Series



SCL100-VF/SCL150-VF

NEW!

CV Version



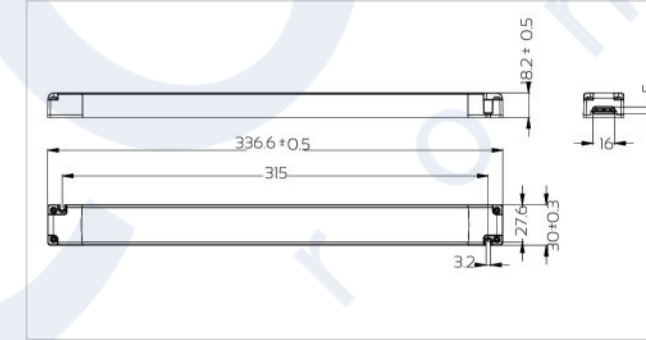
Reliable Technical Data

- Input Voltage Range: 220-240VAC
- Input Frequency: 50/60Hz
- Output Power: 100W/150W
- Body: Plastic case
- Open Circuit; Short Circuit; Over Load;

- Safety According to EN61347-1, EN61347-2-13
- EMI According to EN55015
- EMS According to EN61000-3-2; EN61000-3-3; EN61547
- EMF According to EN62493
- ERP According to EU2019-2020



Dimension in mm



Characteristics

Input Voltage Range: AC220-240V 50/60Hz (power factor measured at AC230V and full load)

Model No.	Constant output voltage	Load	Max output current	PF	Ta	Tc	L x W x H
SCL100-12VF	12V	0-100W	8.33A	≥0.95	45°C	85°C	336.6x30x18.2
SCL100-24VF	24V	0-100W	4.16A	≥0.95	45°C	85°C	336.6x30x18.2
SCL100-48VF	48V	0-100W	2.08A	≥0.95	45°C	85°C	336.6x30x18.2
SCL150-12VF	12V	0-132W	11A	≥0.95	45°C	85°C	336.6x30x18.2
SCL150-24VF	24V	0-150W	6.25A	≥0.95	45°C	85°C	336.6x30x18.2
SCL150-48VF	48V	0-150W	3.125A	≥0.95	45°C	85°C	336.6x30x18.2

