

V. 09/21



EZI-Set Compact In-Track LED Driver

The EZI-Set DIT-END series of compact LED drivers with track adapter offers a wide range of configurable current setting, flicker-free performance in 3 compact packages for tracklight and spotlight fixtures, where form factor, quality of light, and high reliability are critical factors.

Product Offering

Power: 17 / 30 / 40 W
 Input: 220-240 V (50/60 Hz)
 Output: 275-450 / 450-800 / 900-1050 mA (30-38 V)
 Color: Available in white, black and grey color
 IP rating: IP20



17W (99 x 50 x 32 mm) **30W** (119 x 50 x 32 mm) **40W** (145 x 50 x 32 mm)

Track Compatibility:

- Nordic Aluminum (Global Trac Pro / Global Trac Pulse)
- Stucchi (OneTrack, 3 Circuit Track)

Features and Benefits

EZI-Set™	Currents are easy to set with DIP switch settings
Compact Size	3 compact packages sized for each power level
Flicker Free	World-class flicker free design ensures Percent Flicker less than 3%
In-Track	LED Driver with track adapter provides high density fixture spacing
5 Year Warranty	Backed by the industry leading warranty of 5 years gives confidence in long term and maintenance free performance



EZI-SET™



COMPACT SIZE



FLICKER FREE



IN-TRACK



IP RATING



5 YEAR WARRANTY



Singel 3 | B-2550 Kontich | Belgium | Tel. +32 (0)3 458 30 33 | info@alcom.be | www.alcom.be
 Rivium 1e straat 52 | 2909 LE Capelle aan den IJssel | The Netherlands | Tel. +31 (0)10 288 25 00 | info@alcom.nl | www.alcom.nl

©2021 Cuvée Systems. All rights reserved. All content contained herein is subject to change without prior notice.
 More product documentation and Cuvée Systems' warranty and terms and conditions are available at www.cuveesystems.com.



1 - Input Characteristics

Specification item	Value	Condition
Nominal Input Voltage Range AC	220 – 240 VAC	Performance range
Absolute Input Voltage Range AC	198 – 264 VAC	Safety operational range
Maximum Input Current	0.095 A (17W) 0.15 A (30W) 0.19 A (40W)	Full output power @ 230V Input Voltage
Input Frequency	50 / 60 Hz	Performance range
Power Factor with Full Load	0.88 (17W) 0.98 (30W) 0.98 (40W)	Full output power @ 230V Input Voltage
Efficiency	87 % (17W) 88% (30W) 89% (40W)	Full load @ 230V Input Voltage
THD with Full Load	< 46 % (17W) < 15% (30W) < 10% (40W)	Full load @ 230V Input Voltage
Maximum Inrush Current	< 3.0A	At 230 input 25°C cold start at 100% conditions. For more details in the attached graph
No-load Power	< 0.5 W	
Start-up Time	< 0.5s	

2 - Output Characteristics

Specification item	Value	Condition
Rated LED Output Power	8.3 – 17.1W (17W) 13.5 – 30.4W (30W) 27.0 – 40.0W (40W)	
Nominal LED Output Current (3 dip-switch control)	275 – 450 mA (17W) 450 – 800 mA (30W) 900 – 1050 mA (40W)	@ 275 / 300 / 325 / 350 / 375 / 400 / 425 / 450mA @ 450 / 500 / 550 / 600 / 650 / 700 / 750 / 800mA @ 900 / 950 / 1000 / 1050 mA
LED Output Current Tolerance	±5%	
LED Output Voltage Range DC	30 – 38VDC	
Open Loop (no load) Voltage	< 52VDC	driver will limit the output voltage to <52V if LED load is opened
Output Current Ripple LF	≤ 3%	< 2KHz
Output P _{st} LM	≤ 1.0	
Output SVM	≤ 0.4	



3 - Environmental Conditions

Specification item	Value	Condition
Ambient Temperature (Ta) Range	-20 to 40°C	Higher ambient temperature are possible as long as Tc conforms to the operating case temperature range
Operating Case Temperature (Tc) Range	-20 to 85°C	Case Temperature measured at Tc mark on product
Max. Case Temperature (Tc max)	95°C	Max. temperature measured at Tc mark on product
Storage Temperature	-40 to 85°C	
Relative Humidity	80%	Non-condensing
Lifetime @ Tc max	50,000 hours	At Tc within Operating Case Temperature Range.
Ingress Protection	IP20	

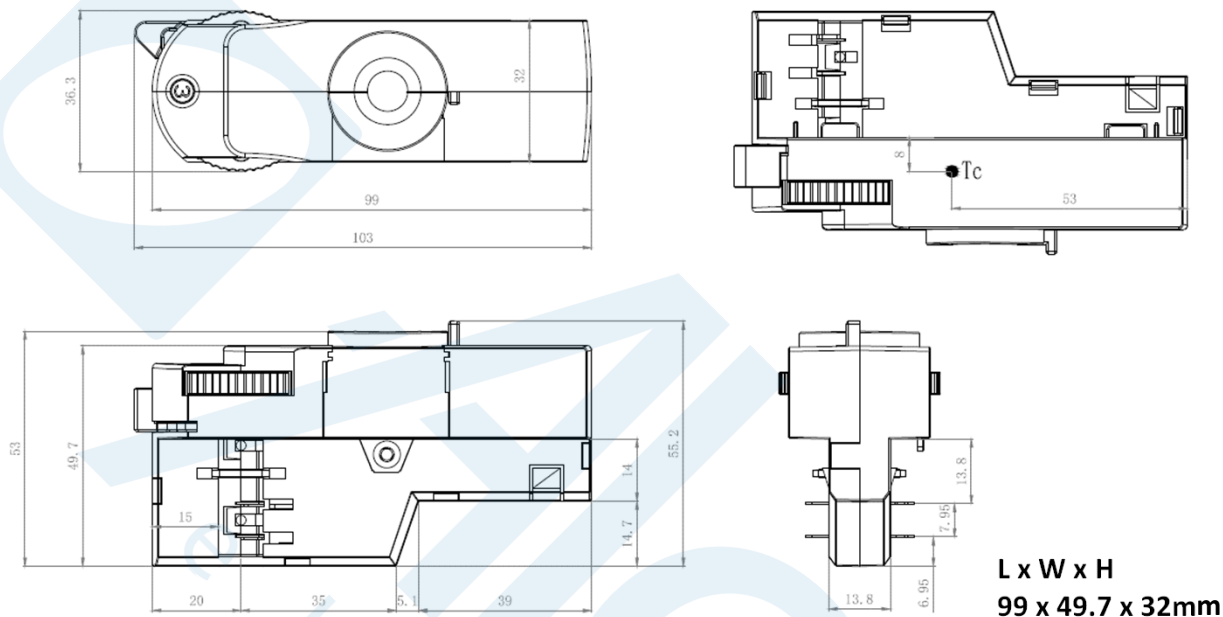
4 - Protection Features

Specification item	Value	Condition
Over Current Protection (OCP)	YES	Automatic recovery
Over Voltage Protection (OVP)	YES	Automatic recovery
Output Short-Circuit Protection (SCP)	YES	Automatic recovery



5 - Outline Drawing

5.1a - Outline Drawing DIT-END017/1-PC450-38(-CW, -CG)



5.1b - Mechanical Details

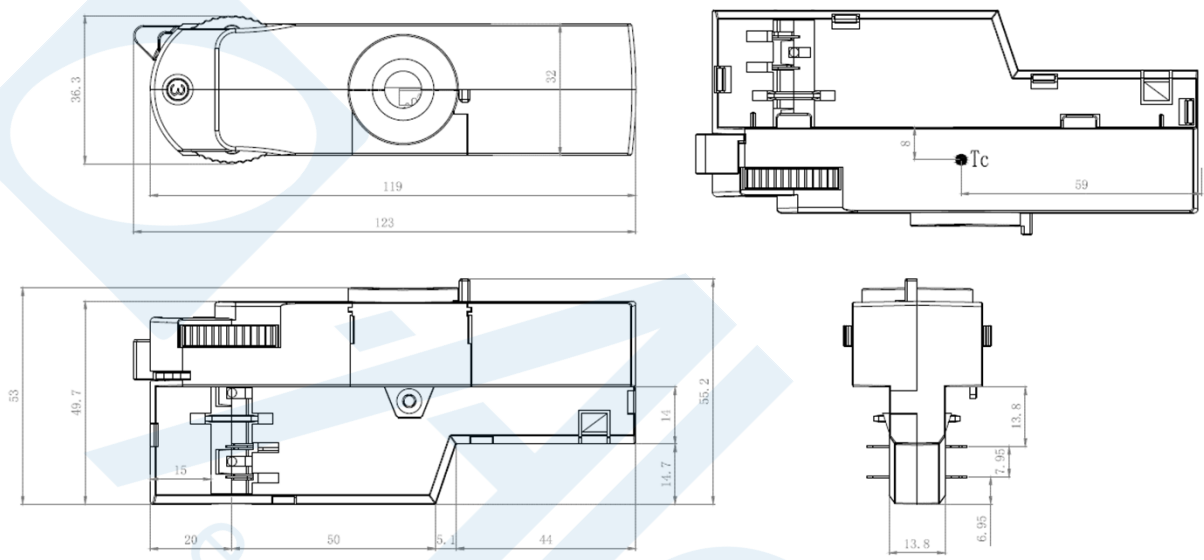
Specification item	Value	Condition
Length (L)	99.0 mm	
Width (W)	49.7 mm	
Height (H)	32.0 mm	
Weight	76 g	

5.1c - Wiring and Conditions

Specification item	Value	Condition
Output Connections (Poke-in Connector)	Ø 0.5 – 0.75 mm (22 – 20 AWG)	Solid / strand wire
Output Wire Strip Length	6 – 9 mm	
Max. Output Wire Length	20 cm	Total length of wiring



5.2a - Outline Drawing DIT-END030/1-PC800-38(-CW, -CG)



L x W x H
119 x 49.7 x 32mm

5.2b - Mechanical Details

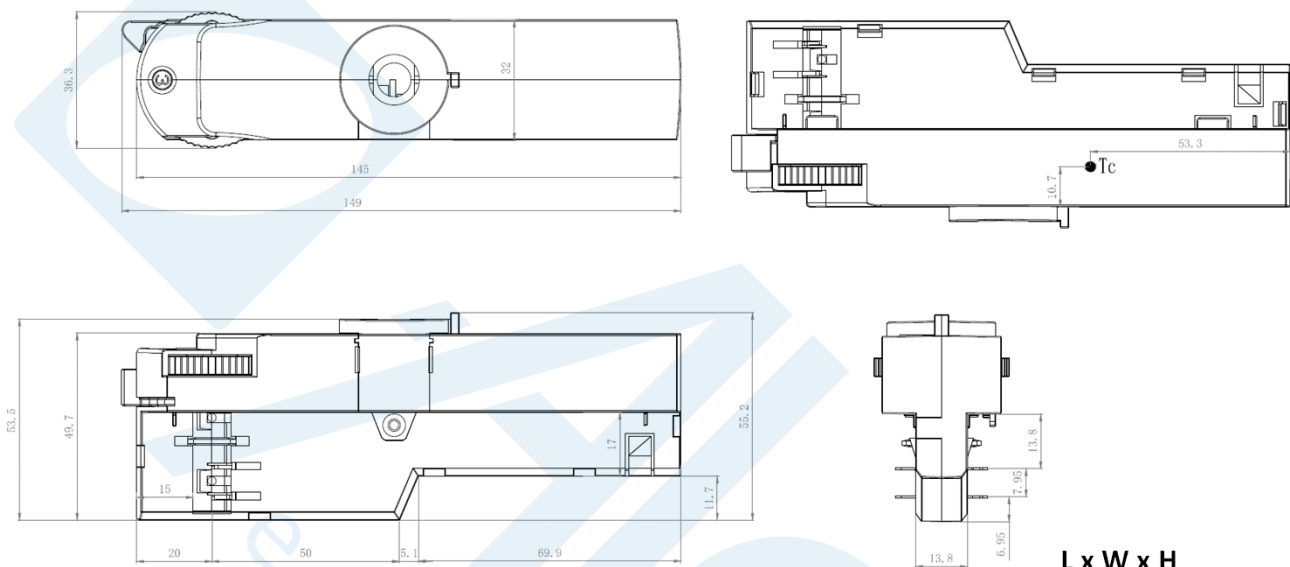
Specification item	Value	Condition
Length (L)	119.0 mm	
Width (W)	49.7 mm	
Height (H)	32.0 mm	
Weight	98 g	

5.3c - Wiring and Conditions

Specification item	Value	Condition
Output Connections (Poke-in Connector)	Ø 0.5 – 0.75 mm (22 – 20 AWG)	Solid / strand wire
Output Wire Strip Length	6 – 9 mm	
Max. Output Wire Length	20 cm	Total length of wiring



5.3a - Outline Drawing DIT-END040/1-PC1K1-38(-CW, -CG)



L x W x H
145 x 49.7 x 32mm

5.3b - Mechanical Details

Specification item	Value	Condition
Length (L)	145.0 mm	
Width (W)	49.7 mm	
Height (H)	32.0 mm	
Weight	115 g	

5.3c - Wiring and Conditions

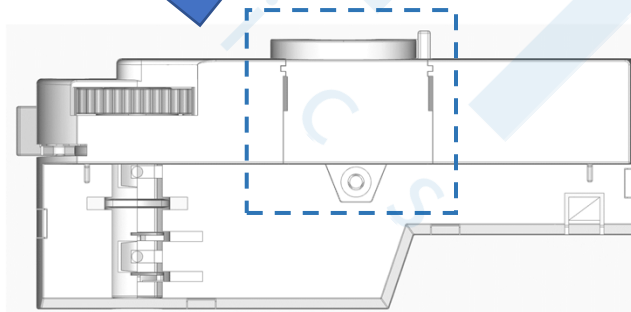
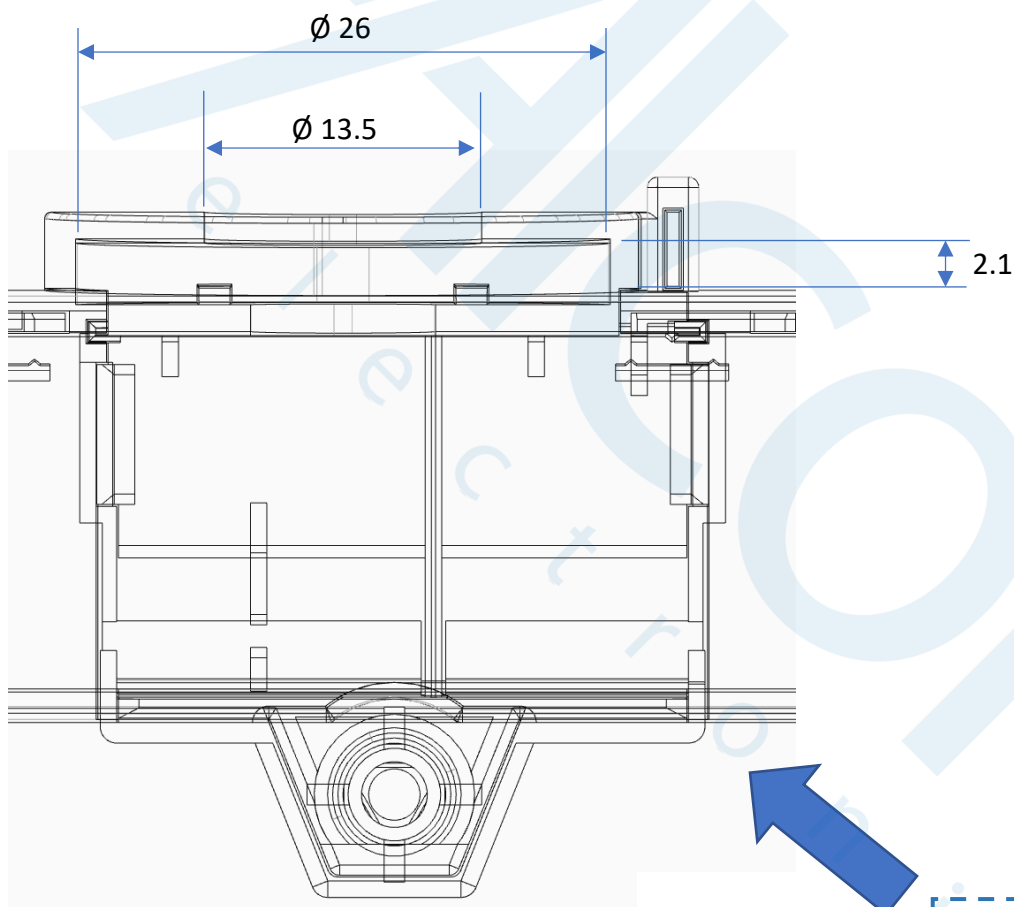
Specification item	Value	Condition
Output Connections (Poke-in Connector)	Ø 0.5 – 0.75 mm (22 – 20 AWG)	Solid / strand wire
Output Wire Strip Length	6 – 9 mm	
Max. Output Wire Length	20 cm	Total length of wiring





6 - Nipple Holding Cavity Dimension

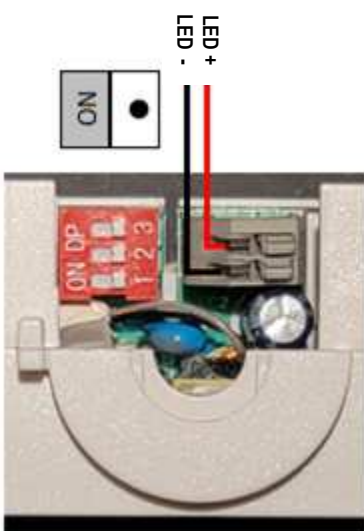
Specification item	Value	Condition
Nipple Cavity Internal Diameter	∅ 26mm	
Nipple Cavity Internal Height	2.1 mm	
Nipple Holder Opening Diameter	∅ 13.5mm	
Nipple Holder Plastic Thickness	1.5 mm	



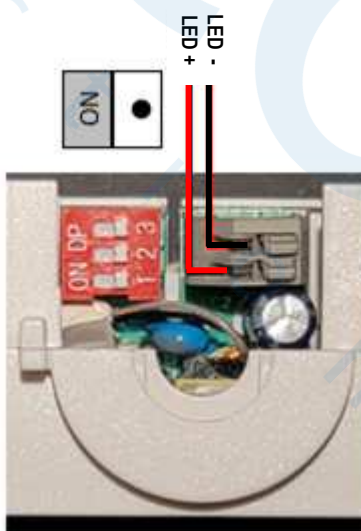


7 – DIP Switch Operation Instructions and LED Output Terminals Polarity

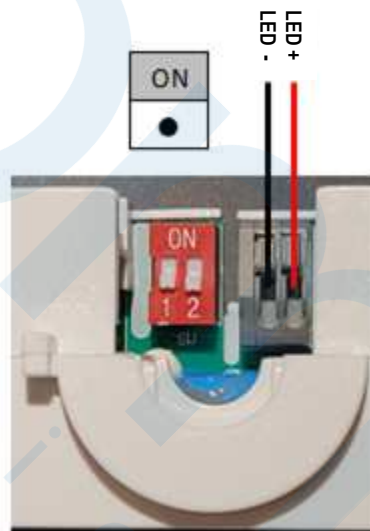
DIP-Switch			Current Setting		
			17W	30W	40W
1	2	3*	[mA]	[mA]	[mA]
ON	ON	ON	450	800	1,050
•	ON	ON	425	750	1,000
ON	•	ON	400	700	950
•	•	ON	375	650	900
ON	ON	•	350	600	
•	ON	•	325	550	
ON	•	•	300	500	
•	•	•	275	450	



17W



30W



40W

* DIP Switch 3 for 17W and 30W models only





8 - EMC Compliance Approvals

Specification item	Value	Condition
Conducted and Radiated EMI	EN 55015:2013 (CISPR 15:2013)	
Harmonic Current Emissions	IEC 61000-3-2:2014	For Class C equipment
Voltage Fluctuations & Flicker	IEC 61000-3-3:2013	
ESD (Electrostatic Discharge)	IEC 61547 Section 5.2 Test des.: IEC 61000-4-2	4 kV contact discharge, 8 kV air discharge, level 3
Continuous Radiated Disturbance	IEC 61547 Section 5.3 Test des.: IEC 61000-4-3	3 V/m, 80 - 1000 MHz, 80% modulated at distance of 3 meters
Electrical Fast Transient	IEC 61547 Section 5.5 Test des.: IEC 61000-4-4	± 1 kV on AC power port for 1 minute, ±1 kV on signal/control lines
Surge	IEC 61547 Section 5.7 Test des.: IEC 61000-4-5	± 1 kV line to line (differential mode)
Continuous Conducted Disturbance	IEC 61547 Section 5.6 Test des.: IEC 61000-4-6	3V, 0.15-80 MHz, 80% modulated, Level 2
Power Frequency Magnetic Field	IEC 61547 Section 5.4 Test des.: IEC 61000-4-8	3A/m, 50/60Hz, level 2
Voltage Dips	IEC 61547 Section 5.8, 5.9 Test des.: IEC 61000-4-11	70% dip during 25 cycles @ 50Hz, 30 cycles @ 60Hz 0% dip during ½ cycles

9 - Safety Agency Approvals

Specification item	Value	Condition
ENEC / CE	EN 61347-1:2015, EN 61347-2-13:2014/A1:2017	



10 - Graphs

Operating Window

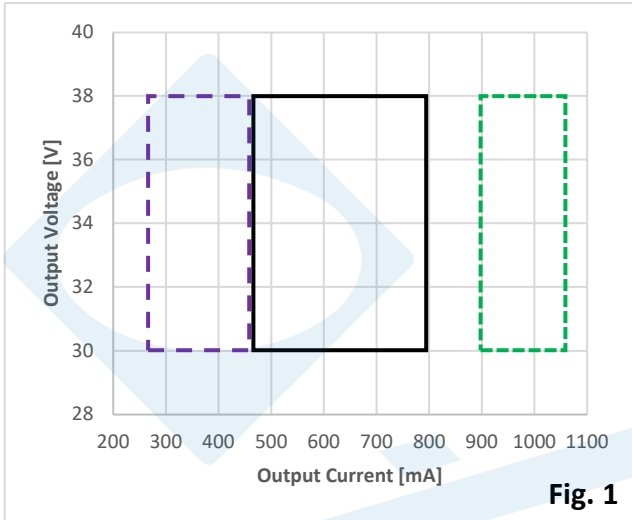


Fig. 1

Power Factor vs Output Power

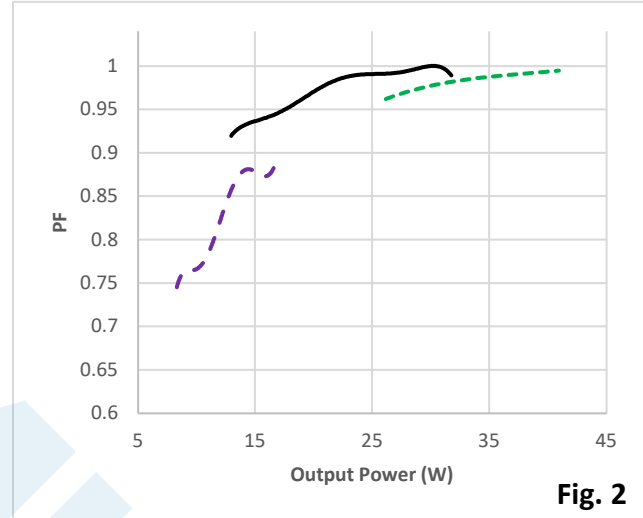


Fig. 2

Efficiency vs. Output Power

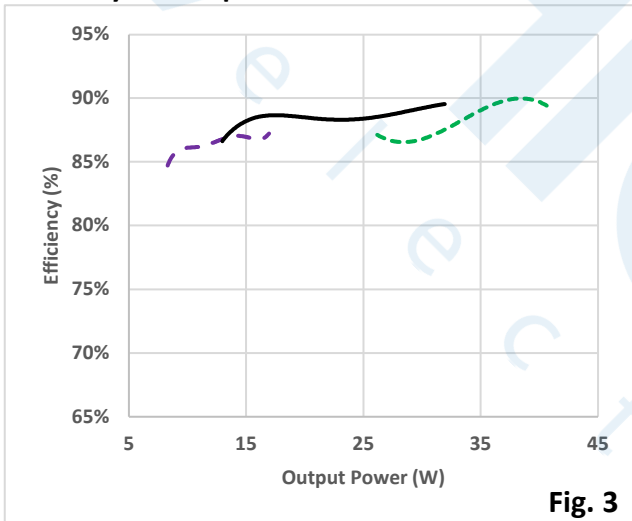


Fig. 3

I-THD vs. Output Power

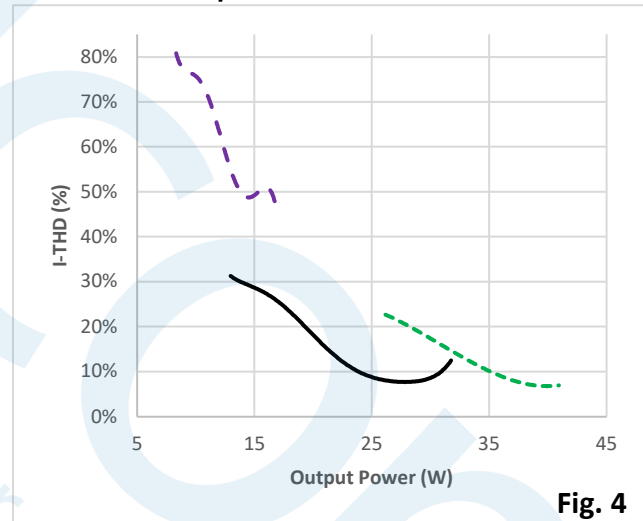


Fig. 4

Input Current vs. Output Power

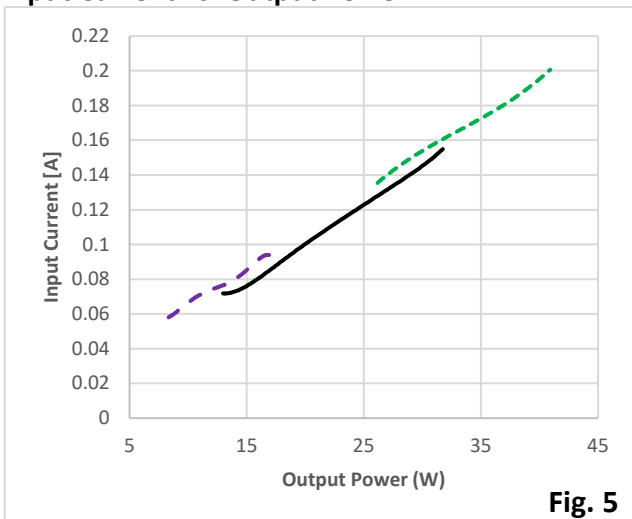
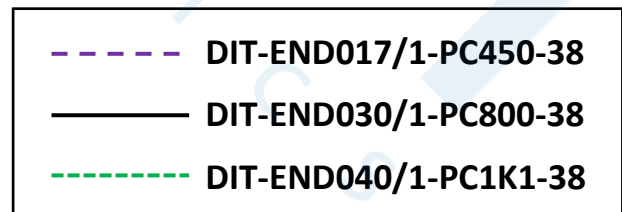
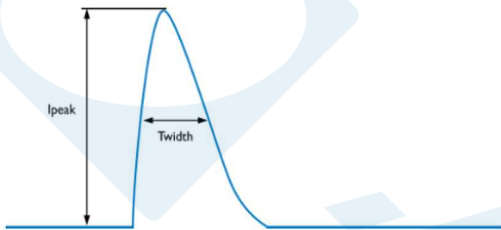


Fig. 5





11 - Inrush Current



P/N	I_{peak} (A)	T_{width} (Time @50% of I_{peak})
DIT-END017/1-PC450-38	2.28 A	146 μ s
DIT-END030/1-PC800-38	2.52 A	134 μ s
DIT-END040/1-PC1K1-38	2.52 A	133 μ s

12 - Estimated Maximum Number of Drivers per Miniature Circuit Breaker (MCB)*

P/N	B10	B13	B16	B20	C10	C13	C16	C20
DIT-END017/1-PC450-38	67	87	107	133	78	101	124	156
DIT-END030/1-PC800-38	38	49	60	75	44	57	70	88
DIT-END040/1-PC1K1-38	30	39	48	60	35	46	56	70

13 - Ordering Info

Specification item	Value	Condition
17W In-Track Driver	DIT-END017/1-PC450-38	Black Color Housing
	DIT-END017/1-PC450-38-CW	White Color Housing
	DIT-END017/1-PC450-38 -CG	Grey Color Housing
30W In-Track Driver	DIT-END030/1-PC800-38	Black Color Housing
	DIT-END030/1-PC800-38-CW	White Color Housing
	DIT-END030/1-PC800-38 -CG	Grey Color Housing
40W In-Track Driver	DIT-END040/1-PC1K1-38	Black Color Housing
	DIT-END040/1-PC1K1-38-CW	White Color Housing
	DIT-END040/1-PC1K1-38 -CG	Grey Color Housing

* Estimation based on typical MCB characteristics; recommend users to calculate the actual number with MCB parameters intended to be used