



6W Compact LED Driver

The KAW / KCB series of compact LED drivers offers superior performance for small to medium size lighting fixtures, such as downlights, tracklights/spotlights and wall sconces where form factor, precise light control, quality of light and high reliability are critical factors.

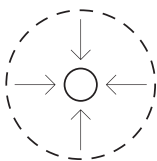
Product Offering

Power: 6 W
 Input: 220-240 V (50/60 Hz)
 Output: 180 mA (30-38 V)
 Dimming: Leading and Trailing Edge
 IP Rating: IP65

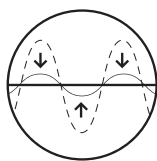


Features and Benefits

| | |
|--------------|---|
| Compact Size | Specifically designed to fit in small lighting fixtures. |
| Flicker Free | World-class flicker free design ensures Percent Flicker less than 3% over the entire dimming range. |
| Deep Dimming | Excellent dimming performance to less than 1% with stable light output. |
| GloStart™ | Turn light on at low dimming level (i.e. <10%). |
| Warranty | Backed by the industry leading warranty of 5 years gives confidence in long term, maintenance free performance. |



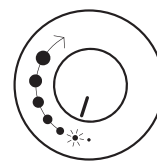
COMPACT SIZE



FLICKER FREE



DEEP DIMMING



GloStart™



5 YEAR WARRANTY



Input Characteristics

| | |
|--|-------------|
| Nominal Input Voltage Range AC | 220-240 VAC |
| Absolute Input Voltage Range AC | 198-264 VAC |
| Maximum Input Current @230 VAC / 50 Hz | 32 mA |
| Input Frequency | 50/60 Hz |
| Power Factor with Full Load | >0.9 |
| Efficiency | 75% |
| THD with Full Load | ≤20% |
| Maximum Inrush Current | <10A |

Output Characteristics

| | |
|------------------------------|---------|
| Rated LED Output Power | 6 W |
| Nominal LED Output Current | 180 mA |
| LED Output Current Tolerance | ±3% |
| LED Output Voltage Range DC | 30-38 V |

Dimming Characteristics

| | |
|-----------------|-------------------------|
| Dimming Type | Leading / Trailing Edge |
| Dimming Range | 1% - 100% |
| Percent Flicker | <3% |





Environment Conditions

| | |
|--|--------------|
| Operating Ambient Temperature (Ta) Range | -10 to 50 °C |
| Maximum Operating Ambient Temperature (Ta max) | 50 °C |
| Maximum Operating Case Temperature (Tc max) | 75 °C |
| Storage Temperature | -20 to 85 °C |
| Humidity | 80% |
| Lifetime @ Tc max | 50,000 hours |

Mechanical Details

| | |
|------------|-------|
| Length (L) | 63 mm |
| Width (W) | 32 mm |
| Height (H) | 17 mm |
| Weight | 42 g |

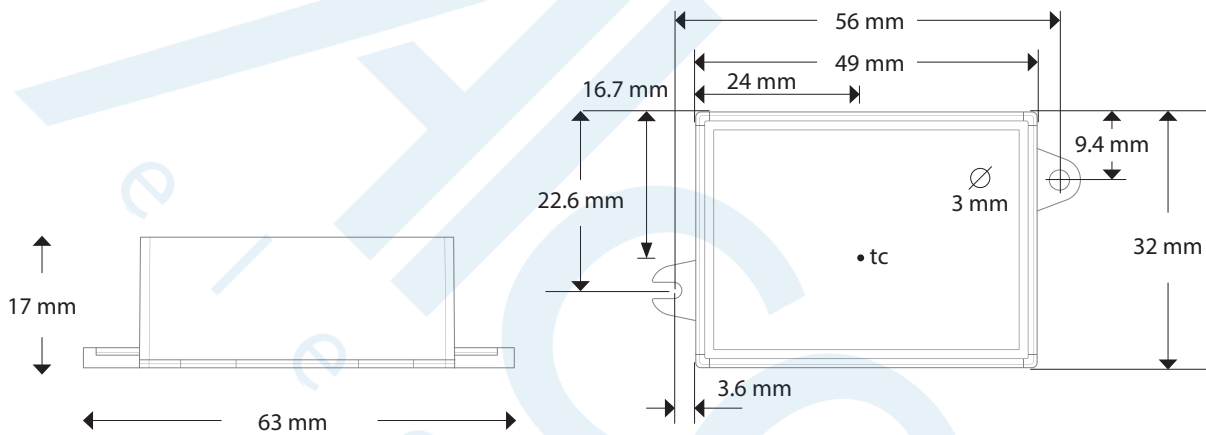
Protection Features

| | |
|---------------------------------|-------|
| Over Voltage Protection (OVP) | >43 V |
| Output Short-Circuit Protection | Yes |
| Surge Protection | 1 kV |



**Outline Drawing**

L x W x H
63 x 32 x 17 mm





Wire Specifications

| | |
|-------------------|--------|
| Input Wire | 22 AWG |
| Output Wire | 22 AWG |
| Wire Strip Length | 15 cm |

Ordering Information

KAW-6E18IAD/R

Certifications and Testing

EN 55015:2013 + A 1

EN 61000-3-2:2014

EN 61000-3-3:2013

EN 61347-1:2015

EN 61347-2-13:2014 + A 1

EN 61547:2009



Warranty

Warranty Period 5 years