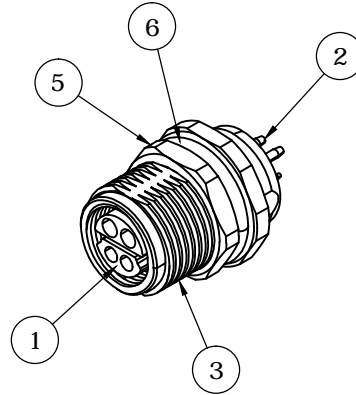
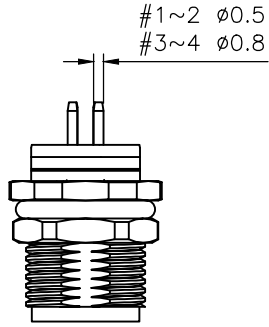


REV.	DESCRIPTION	DRAWN	DATE
1	INITIAL RELEASE	TIM	2023/12/27



SPECIFICATION: (IEC 63171-6 Edition 2.0)

1. ELECTRICAL

- 1.1 Current Rating: Pin 1&2 4A, Pin 3&4 8A
- 1.2 Voltage Rating: 60VDC
- 1.3 Contact Resistance: 20mΩ max.
- 1.4 Shell Resistance: 100mΩ max.
- 1.5 Insulation Resistance: 500MΩ
- 1.6 Voltage Proof: 1000VDC (contact to contact), 2250VDC (contact to ground)

2. MECHANICAL

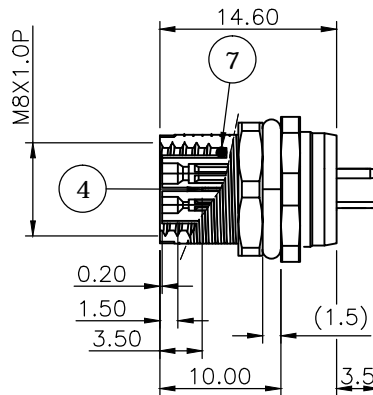
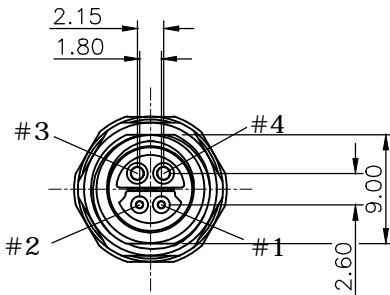
- 2.1 Durability: 100 Cycle
- 2.2 Insertion Force: 50N max.
- 2.3 Pull Out Force: 50N max.

3. ENVIRONMENTAL

- 3.1 Operating temperature range: -40°C~+85°C
- 3.2 Storage temperature range: -40°C~+85°C

4. SOLDER ABILITY

- 4.1 Recommended IR Reflow (Wave Soldering) Temperature: 260°C

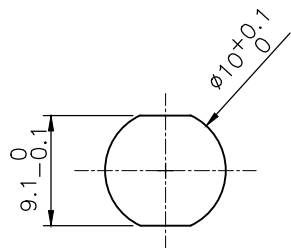


Contacts	Pin No.	Signal
DATA	1	BI_DA+
	2	BI_DA-
POWER	3	+
	4	-

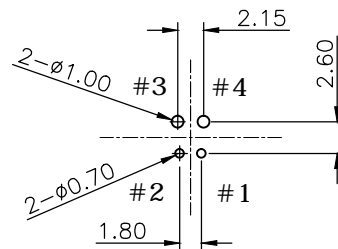


Singel 3 | B-2550 Kontich | Belgium | Tel. +32 (0)3 458 30 33
 info@alcom.be | www.alcom.be
 Rivium 1e straat 52 | 2909 LE Capelle aan den IJssel | The Netherlands
 Tel. +31 (0)10 288 25 00 | info@alcom.nl | www.alcom.nl

7	ORING-2	Silicone
6	ORING-1	Silicone
5	NUT	Brass, nickel plating
4	SHIELD	Phosphor Bronze, nickel plating
3	SHELL	Brass, nickel plating
2	CONTACT	Brass, 30u" gold plating
1	HOUSING	LCP, UL94V-0, Black



RECOMMENDED PANEL CUT



RECOMMENDED PCB LAYOUT (TOP VIEW)
GENERAL TOLERANCE: ±0.05mm

NO.		PART NAME		DESCRIPTION	
UNLESS OTHERWISE SPECIFIED TOLERANCE					
UNIT:	mm	DECIMAL	LINEAR	ANGLES	 www.attend.com.tw
		X.	±0.50	±5°	
		X.X	±0.25	±3°	
		X.XX	±0.12	±1°	
DRAWN	Tim	2023/12/27	DRAWN NAME:		
CHECKED	Fros	2023/12/27	SPE M8 4 Pin Hybrid Jack, Straight IP67, 30u" 8A		
APPROVED	Ken	2023/12/27	PRODUCT NO.	229B-S007	
SCALE	1.6	SHEET	1/1	SIZE	A4
FILE NAME		229B-S007_B_1			