

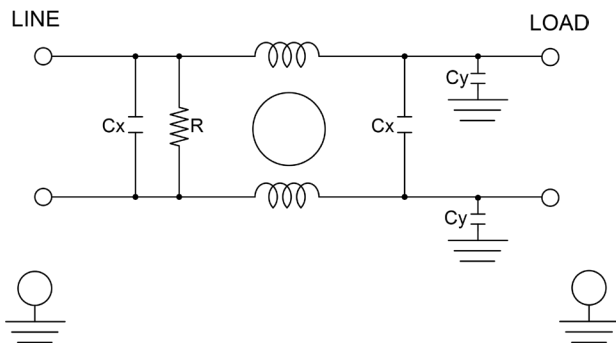
RP692A

HIGH VOLTAGE/HIGH CURRENT DC POWER LINE FILTER, 1500VDC

FEATURES

- » Rated currents include **25A, 50A, 75A, 100A, 150A, 250A, 400A, 600A, 800A, 1000A, 1500A and 2500A**
- » Single Stage Line Filter
- » Available with **W** (wires), **S** (studs), **C** (connectors), and **B** (bus bars) option
- » High Voltage/High Current Design
- » Agency Approved to 60929, CSA C22.2, EN 60939 (Testing successfully completed, Certificate in process)
- » Y-cap value can be adjusted to fit specification

ELECTRICAL SCHEMATIC



HOW TO ORDER

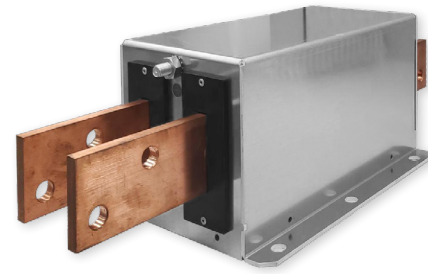
RP692A-X-Y-Z

- Z = TERMINAL (-T)
- Y = Y-CAP, NF
- X = RATED CURRENT
- RP692A = FILTER SERIES

NOTE: USE ANY COMBINATION OF -X (AMPS) WITH ANY -Y RATINGS

E.G. **RP692A-250-100-B**(250AMPS WITH 100 NF YCAP)

For **X, Y,** and **Z** options see product specification table.



SPECIFICATIONS

MAX. OPERATING VOLTAGE	1500V +10%
AMBIENT TEMPERATURE	-25 TO 60°C
CLIMATIC CATEGORY	25/100/21
TERMINALS (-T)	WIRE LEADS
	STUDS 25-50A (M5), 75A (M6),
	100A(M8), 150A (M10)
	CONNECTORS
	BUSBARS 250A (5X20),
	400A (6X25), 600A (8X25),
	800-1000A (8X40),
	1500A (10X60), 2500A (15X70)
TYP. WEIGHT, LBS (KG)	3.0 - 60.0 (1.3 - 27.21)

HIPOT RATINGS

LINE TO GROUND	4700 VDC
-----------------------	----------

TYPICAL APPLICATIONS

- ✓ Energy Storage Systems (ESS/BSS)
- ✓ Hydrogen Generation / Electrolyzer
- ✓ High-Current Rectifiers
- ✓ High Power Inverter
- ✓ Megawatt Chargers
- ✓ DC Fast Chargers
- ✓ Solar Inverters



Singel 3 | B-2550 Kontich | Belgium | Tel.+32(0)3 458 30 33
 info@alcom.be | www.alcom.be
 Rivium 1e straat 52 | 2909 LE Capelle aan den IJssel | The Netherlands
 Tel.+31(0)10 288 25 00 | info@alcom.nl | www.alcom.nl

RP692A

HIGH VOLTAGE/HIGH CURRENT **DC** POWER LINE FILTER, 1500VDC

MODEL NO.	RATED CURRENT, A @ 60° C	Y-CAP, nF	TERMINAL OPTIONS				MAX. DIMENSIONS" (MM)		
			(W) INPUT/OUTPUT	(S) INPUT/OUTPUT	(C) INPUT/OUTPUT	(B) INPUT/OUTPUT	WIDTH	(LENGTH)	HEIGHT
RP692-25-100-C	25	100			✓		*	*	*
RP692-25-100-S	25	100		✓			3.15"(80)	8.00"(203)	2.56"(65)
RP692-25-100-W	25	100	✓				*	*	*
RP692-25-1000-C	25	1000			✓		*	*	*
RP692-25-1000-S	25	1000		✓			3.15"(80)	8.00"(203)	2.56"(65)
RP692-25-1000-W	25	1000	✓				*	*	*
RP692-25-2000-C	25	2000			✓		*	*	*
RP692-25-2000-S	25	2000		✓			3.15"(80)	8.00"(203)	2.56"(65)
RP692-25-2000-W	25	2000	✓				*	*	*
RP692-50-100-C	50	100			✓		*	*	*
RP692-50-100-S	50	100		✓			3.74"(95)	9.00"(230)	3.15"(80)
RP692-50-100-W	50	100	✓				*	*	*
RP692-50-1000-C	50	1000			✓		*	*	*
RP692-50-1000-S	50	1000		✓			3.74"(95)	9.00"(230)	3.15"(80)
RP692-50-1000-W	50	1000	✓				*	*	*
RP692-50-2000-C	50	2000			✓		*	*	*
RP692-50-2000-S	50	2000		✓			3.74"(95)	9.00"(230)	3.15"(80)
RP692-50-2000-W	50	2000	✓				*	*	*
RP692-75-100-C	75	100			✓		*	*	*
RP692-75-100-S	75	100		✓			3.74"(95)	9.00"(230)	3.15"(80)
RP692-75-100-W	75	100	✓				*	*	*
RP692-75-1000-C	75	1000			✓		*	*	*
RP692-75-1000-S	75	1000		✓			3.74"(95)	9.00"(230)	3.15"(80)
RP692-75-1000-W	75	1000	✓				*	*	*
RP692-75-2000-C	75	2000			✓		*	*	*
RP692-75-2000-S	75	2000		✓			3.74"(95)	9.00"(230)	3.15"(80)
RP692-75-2000-W	75	2000	✓				*	*	*
RP692-100-100-C	100	100			✓		*	*	*
RP692-100-100-S	100	100		✓			4.92"(125)	10.24"(260)	3.74"(95)
RP692-100-100-W	100	100	✓				*	*	*
RP692-100-1000-C	100	1000			✓		*	*	*
RP692-100-1000-S	100	1000		✓			4.92"(125)	10.24"(260)	3.74"(95)
RP692-100-1000-W	100	1000	✓				*	*	*
RP692-100-2000-C	100	2000			✓		*	*	*

ADDITIONAL MODEL NO. >>

RP692A

HIGH VOLTAGE/HIGH CURRENT **DC** POWER LINE FILTER, 1500VDC

MODEL NO.	RATED CURRENT, A @ 60° C	Y-CAP, nF	TERMINAL OPTIONS				MAX. DIMENSIONS" (MM)		
			(W) INPUT/ OUTPUT	(S) INPUT/ OUTPUT	(C) INPUT/ OUTPUT	(B) INPUT/ OUTPUT	WIDTH	(LENGTH)	HEIGHT
RP692-100-2000-S	100	2000		✓			4.92"(125)	10.24"(260)	3.74"(95)
RP692-100-2000-W	100	2000	✓				*	*	*
RP692-150-100-C	150	100			✓		*	*	*
RP692-150-100-S	150	100		✓			5.51"(140)	12.13"(308)	4.53"(115)
RP692-150-100-W	150	100	✓				*	*	*
RP692-150-1000-C	150	1000			✓		*	*	*
RP692-150-1000-S	150	1000		✓			5.51"(140)	12.13"(308)	4.53"(115)
RP692-150-1000-W	150	1000	✓				*	*	*
RP692-150-2000-C	150	2000			✓		*	*	*
RP692-150-2000-S	150	2000		✓			5.51"(140)	12.13"(308)	4.53"(115)
RP692-150-2000-W	150	2000	✓				*	*	*
RP692-250-100-B	250	100				✓	7.09"(180)	16.38"(416)	4.33"(110)
RP692-250-1000-B	250	1000				✓	7.09"(180)	16.38"(416)	4.33"(110)
RP692-250-2000-B	250	2000				✓	7.09"(180)	16.38"(416)	4.33"(110)
RP692-400-0-B	400	0				✓	7.48"(190)	16.38"(416)	4.33"(110)
RP692-400-100-B	400	100				✓	7.48"(190)	16.38"(416)	4.33"(110)
RP692-400-1000-B	400	1000				✓	7.48"(190)	16.38"(416)	4.33"(110)
RP692-400-2000-B	400	2000				✓	7.48"(190)	16.38"(416)	4.33"(110)
RP692-600-0-B	600	0				✓	7.48"(190)	16.38"(416)	4.33"(110)
RP692-600-100-B	600	100				✓	7.48"(190)	16.38"(416)	4.33"(110)
RP692-600-1000-B	600	1000				✓	7.48"(190)	16.38"(416)	4.33"(110)
RP692-600-2000-B	600	2000				✓	7.48"(190)	16.38"(416)	4.33"(110)
RP692-800-100-B	800	100				✓	7.87"(200)	16.93"(430)	5.51"(140)
RP692-800-1000-B	800	1000				✓	7.87"(200)	16.93"(430)	5.51"(140)
RP692-800-2000-B	800	2000				✓	7.87"(200)	16.93"(430)	5.51"(140)
RP692-1000-100-B	1000	100				✓	7.87"(200)	16.93"(430)	5.51"(140)
RP692-1000-1000-B	1000	1000				✓	7.87"(200)	16.93"(430)	5.51"(140)
RP692-1000-2000-B	1000	2000				✓	7.87"(200)	16.93"(430)	5.51"(140)
RP692-1500-100-B	1500	100				✓	7.87"(200)	20.47"(520)	5.91"(150)
RP692-1500-1000-B	1500	1000				✓	7.87"(200)	20.47"(520)	5.91"(150)
RP692-1500-2000-B	1500	2000				✓	7.87"(200)	20.47"(520)	5.91"(150)
RP692-2500-0-B	2500	0				✓	9.84"(250)	23.62"(600)	7.09"(180)
RP692-2500-100-B	2500	100				✓	9.84"(250)	23.62"(600)	7.09"(180)
RP692-2500-1000-B	2500	1000				✓	9.84"(250)	23.62"(600)	7.09"(180)

ADDITIONAL MODEL NO. >>

RP692A

HIGH VOLTAGE/HIGH CURRENT **DC** POWER LINE FILTER, 1500VDC

MODEL NO.	RATED CURRENT, A @ 60° C	Y-CAP, nF	TERMINAL OPTIONS				MAX. DIMENSIONS" (MM)		
			(W) INPUT/ OUTPUT	(S) INPUT/ OUTPUT	(C) INPUT/ OUTPUT	(B) INPUT/ OUTPUT	WIDTH	(LENGTH)	HEIGHT
RP692-2500-2000-B	2500	2000				✓	9.84"(250)	23.62"(600)	7.09"(180)

*Contact factory for dimensions.

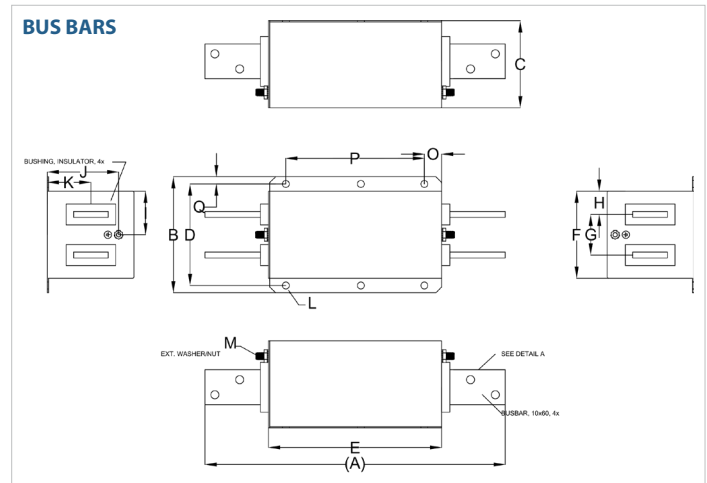
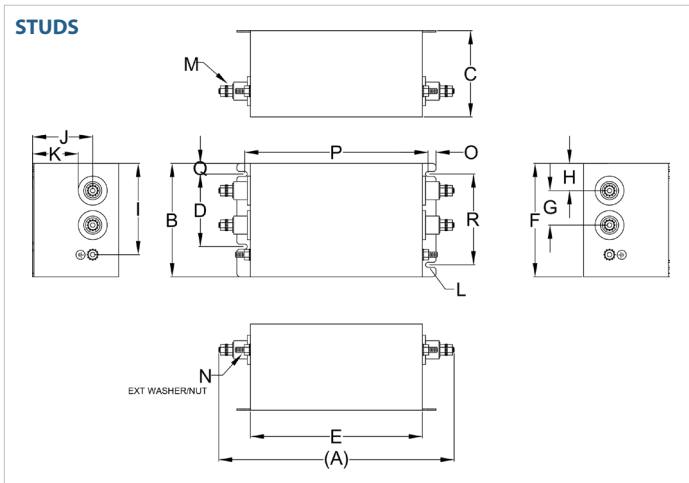
TYPICAL INSERTION LOSS, dB (50/50 Ohm)

Amps	Freq (MHz)	0.15					0.5					1.0					10					30				
25	CM (dB)	65					75					55					45					40				
	DM (dB)	65					70					50					35					30				
50	CM (dB)	65					75					55					45					40				
	DM (dB)	65					70					50					35					30				
75	CM (dB)	65					75					55					45					40				
	DM (dB)	65					70					50					35					30				
100	CM (dB)	65					75					55					45					40				
	DM (dB)	65					70					50					35					30				
150	CM (dB)	65					75					55					45					40				
	DM (dB)	65					70					50					35					30				
250	CM (dB)	65					75					55					45					40				
	DM (dB)	65					70					50					35					30				
400	CM (dB)	65					75					55					45					40				
	DM (dB)	65					70					50					35					30				
600	CM (dB)	65					75					55					45					40				
	DM (dB)	65					70					50					35					30				
800	CM (dB)	65					75					55					45					40				
	DM (dB)	65					70					50					35					30				
1000	CM (dB)	65					75					55					45					40				
	DM (dB)	65					70					50					35					30				
1500	CM (dB)	65					75					55					45					40				
	DM (dB)	65					70					50					35					30				
2500	CM (dB)	65					75					55					45					40				
	DM (dB)	65					70					50					35					30				

RP692A

HIGH VOLTAGE/HIGH CURRENT DC POWER LINE FILTER, 1500VDC

RP692A MECHANICAL OUTLINES INCH (MM)



SERIES	A	B	C	D	E	F	G	H	I	J	K	L	M	N	O	P	Q	R
STUDS (25A)	8.00" (203)	3.15" (80)	2.56" (65)	1.77" (45)	5.51" (140)	3.15" (80)	1.57" (40)	0.79" (20)	2.76" (70)	1.71" (43)	1.18" (30)	Ø 0.21" slot, 4x (Ø5.5 slot, 4x)	STUD, M5, 4x	STUD, M5, 2x	GND, 0.34" (9)	5.99" (152)	0.39" (10)	2.36" (60)
STUDS (50/75A)	9.00" (230)	3.74" (95)	3.15" (80)	2.36" (60)	6.69" (170)	3.74" (95)	1.46" (37)	0.83" (21)	3.33" (85)	2.17" (55)	1.63" (42)	Ø 0.21" slot, 4x (Ø5.5 slot, 4x)	STUD, M5/M6, 4x	STUD, M5/M6, 2x	GND, 0.34" (9)	7.19" (183)	0.39" (10)	2.95" (75)
STUDS (100A)	10.24" (260)	4.92" (125)	3.74" (95)	3.15" (80)	7.48" (190)	4.92" (125)	1.50" (38)	1.18" (30)	3.96" (101)	2.62" (67)	1.99" (51)	Ø 0.21" slot, 4x (Ø, 5.5 slot, 4x)	STUD, M8, 4x	STUD, M8, 2x	GND, 0.34" (9)	7.97" (203)	0.46" (12)	3.94" (100)
STUDS (150A)	12.13" (308)	5.51" (140)	4.53" (115)	3.94" (100)	8.66" (220)	5.51" (140)	1.93" (49)	1.22" (31)	4.72" (120)	3.39" (86)	2.68" (68)	Ø 0.21" slot, 4x (Ø, 5.5 slot, 4x)	STUD, M10, 4x	STUD, M10, 2x	GND, 0.34" (9)	9.15" (233)	0.39" (10)	4.72" (120)
BUS BARS (250A)	16.38" (416)	7.09" (180)	4.33" (110)	6.10" (155)	11.81" (300)	5.12" (130)	2.75" (70)	1.22" (31)	2.95" (75)	3.80" (97)	1.57" (40)	Ø 0.47", 6x (Ø, 12.00, 6x)	STUD, M10, 2x	N/A	1.18" (30)	9.45" (240)	0.49" (13)	N/A
BUS BARS (400/600A)	16.38" (416)	7.48" (190)	4.33" (110)	6.50" (165)	11.81" (300)	5.51" (140)	2.76" (70)	1.38" (35)	2.76" (70)	3.82" (97)	1.97" (50)	Ø 0.47", 6x (Ø12.00, 6x)	STUD, GND, M10, 2x	N/A	1.18" (30)	9.45" (240)	0.49" (13)	N/A
BUS BARS (800/1000A)	16.93" (430)	7.87" (200)	5.51" (140)	6.89" (175)	11.81" (300)	5.91" (150)	2.76" (70)	1.77" (45)	3.15" (80)	4.58" (116)	2.68" (68)	Ø 0.47", 6x (Ø12.00, 6x)	STUD, GND, M10, 2x	N/A	1.18" (30)	9.45" (240)	0.49" (13)	N/A
BUS BARS (1500A)	20.47" (520)	7.87" (200)	5.91" (150)	6.89" (175)	11.81" (300)	5.91" (150)	2.76" (70)	1.57" (40)	2.95" (75)	5.35" (135)	2.97" (76)	Ø 0.47", 6x (Ø12.00, 6x)	STUD, GND, M10, 2x	N/A	1.18" (30)	9.45" (240)	0.49" (13)	N/A
BUS BARS (2500A)	23.62" (600)	9.84" (250)	7.09" (180)	8.86" (225)	15.75" (400)	7.68" (195)	3.94" (100)	2.28" (58)	4.88" (124)	6.54" (166)	3.05" (78)	Ø 0.47", 6x (Ø12.00, 6x)	STUD, GND, M10, 2x	N/A	1.18" (30)	13.38" (340)	0.49" (13)	N/A

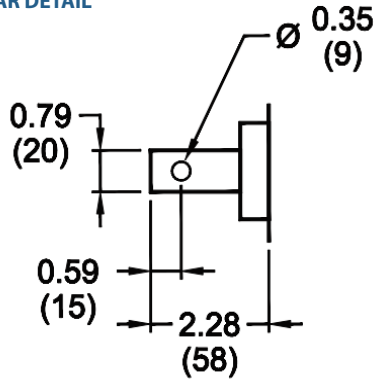
TYPICAL TOLERANCE: +/-0.02" (0.50MM)

RP692A

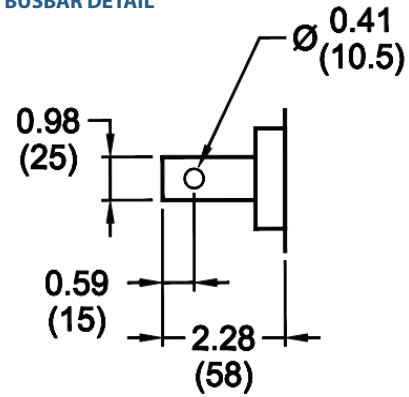
HIGH VOLTAGE/HIGH CURRENT **DC** POWER LINE FILTER, 1500VDC

DETAIL A

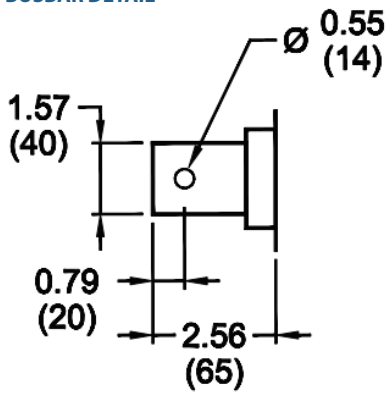
250 AMP BUSBAR DETAIL



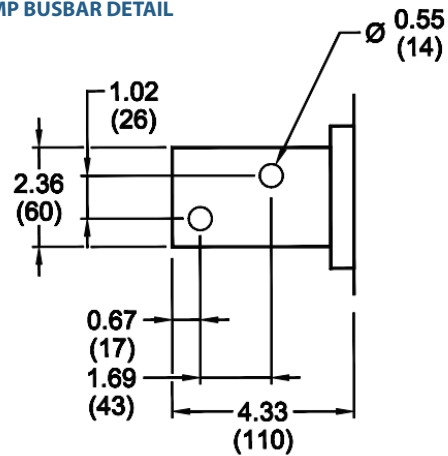
400/600 AMP BUSBAR DETAIL



800/1000 AMP BUSBAR DETAIL



1500 AMP BUSBAR DETAIL



2500 AMP BUSBAR DETAIL

