

USB 3.1 Type C Connectors

6-21~6-25 • USB 3.1 Type C



Alcom
electronics

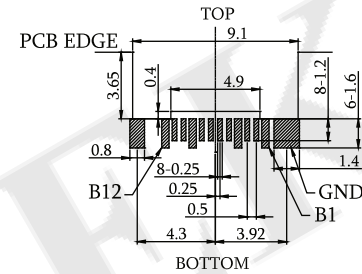
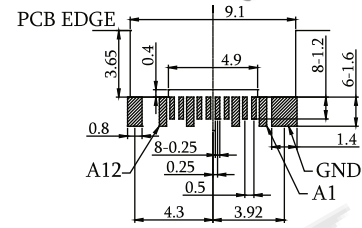
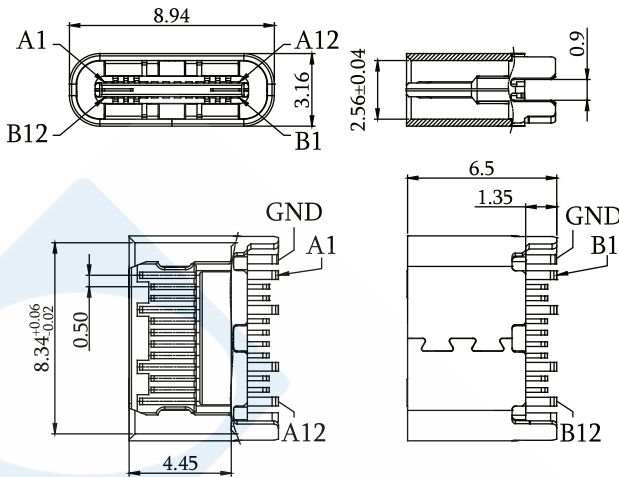
Singel 3 | B-2550 Kontich | Belgium | Tel. +32 (0)3 458 30 33
info@alcom.be | www.alcom.be
Rivium 1e straat 52 | 2909 LE Capelle aan den IJssel | The Netherlands
Tel. +31 (0)10 288 25 00 | info@alcom.nl | www.alcom.nl

AMTEK Technology Co., Ltd

CONNECTORS MANUFACTURER



USB 3.1 Type C Female Dip Straight Type 24P H=6.5mm



Pin No	Signal Name	Pin No	Signal Name	Pin No	Signal Name	Pin No	Signal Name
A1	GND	B12	GND	A7	D-	B6	D+
A2	TX1+	B11	RX1+	A8	SBU1	B5	CC2
A3	TX1-	B10	RX1-	A9	Vbus	B4	Vbus
A4	Vbus	B9	Vbus	A10	RX2-	B3	TX2-
A5	CC1	B8	SBU2	A11	RX2+	B2	TX2+
A6	D+	B7	D-	A12	GND	B1	GND

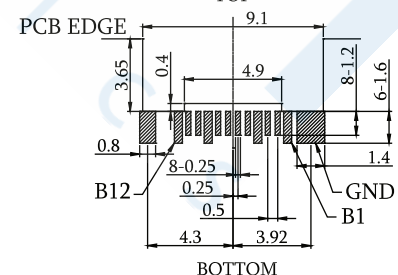
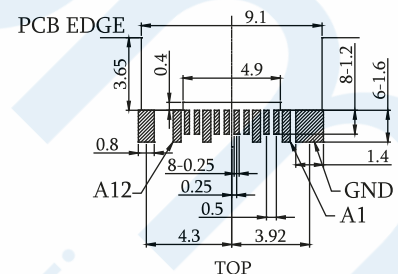
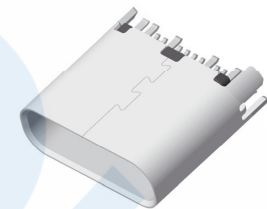
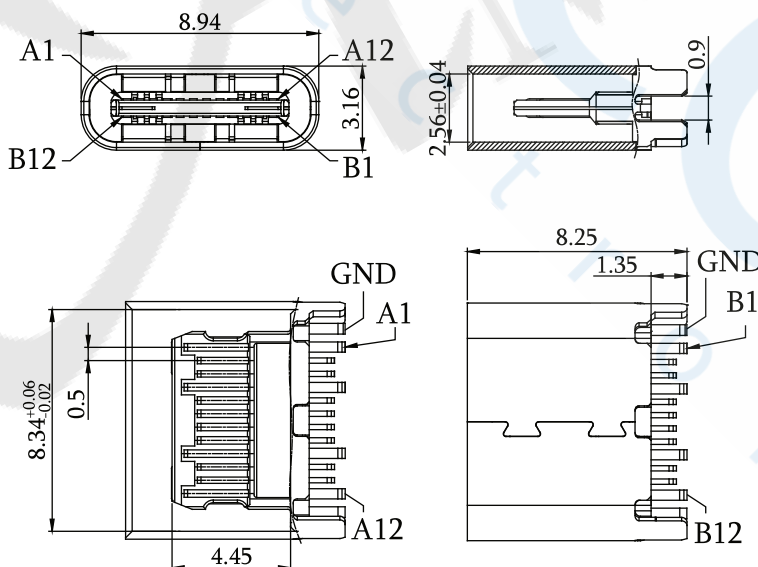
No.	Name	Material	Finish	Qty	Remark
1	Housing	Thermoplastic	Black	3	UL94V-0
2	Contact	Copper Alloy T:0.15	Gold/Tin Plated	24	Contact area: 30u" PD/Ni+Gold Flash Solder area: 80u" min. matte Tin Plated over Nickel
3	Gnd Plates	SUS T:0.10	Matte Tin Plated	3	
4	Shell	SUS T:0.30	Matte Tin Plated	1	

Recommended PCB Layout
(PCB TOLERANCE ±0.05)

P/N.:5US4C01TF-124XXBUHC1

S0:Selective
SF:Selective 15u"
SD:Selective 30u"

USB 3.1 Type C Female Dip Straight Type 24P H=8.25mm



Pin No	Signal Name	Pin No	Signal Name	Pin No	Signal Name	Pin No	Signal Name
A1	GND	B12	GND	A7	D-	B6	D+
A2	TX1+	B11	RX1+	A8	SBU1	B5	CC2
A3	TX1-	B10	RX1-	A9	Vbus	B4	Vbus
A4	Vbus	B9	Vbus	A10	RX2-	B3	TX2-
A5	CC1	B8	SBU2	A11	RX2+	B2	TX2+
A6	D+	B7	D-	A12	GND	B1	GND

No.	Name	Material	Finish	Qty	Remark
1	Housing	Thermoplastic	Black	3	UL94V-0
2	Contact	Copper Alloy T:0.15	Gold/Tin Plated	24	Contact area: 30u" PD/Ni+Gold Flash Solder area: 80u" min. matte Tin Plated over Nickel
3	Gnd Plates	SUS T:0.10	Matte Tin Plated	3	
4	Shell	SUS T:0.30	Matte Tin Plated	1	

Recommended PCB Layout
(PCB TOLERANCE ±0.05)

P/N.:5US4C01TF-124XXBUHC2

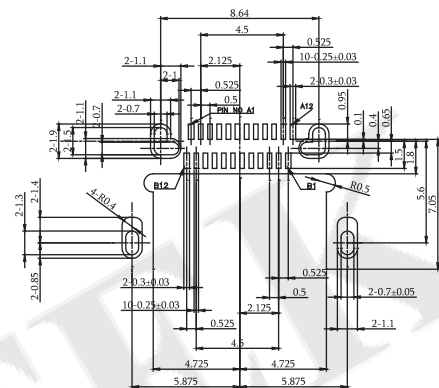
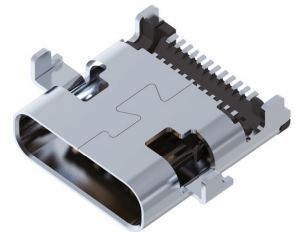
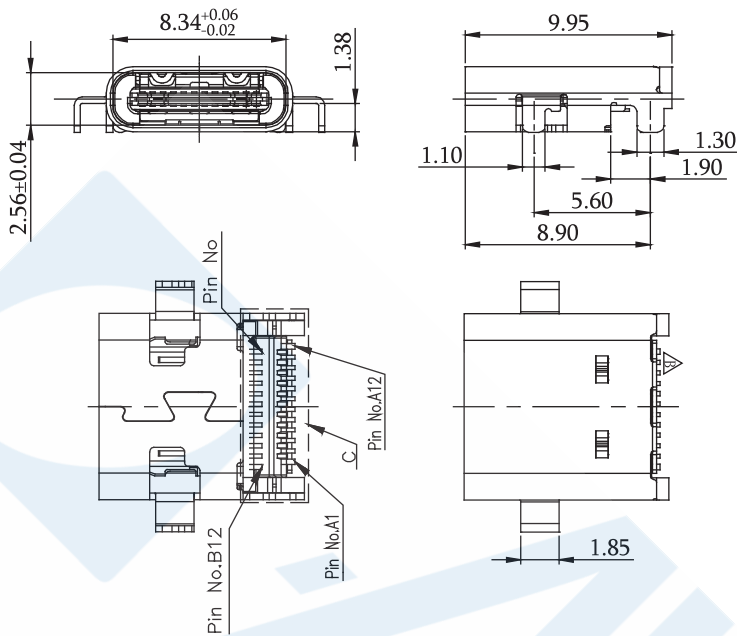
S0:Selective
SF:Selective 15u"
SD:Selective 30u"

USB 3.1 Type C



ROHS

USB 3.1 Type C Female SMT R/A Type 24P

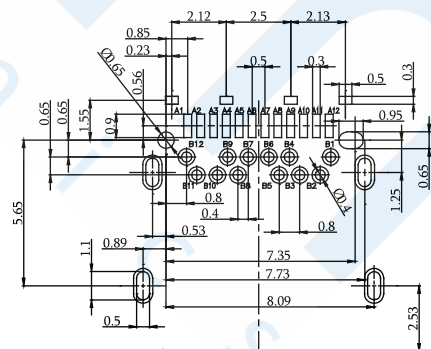
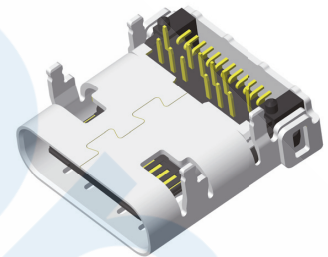
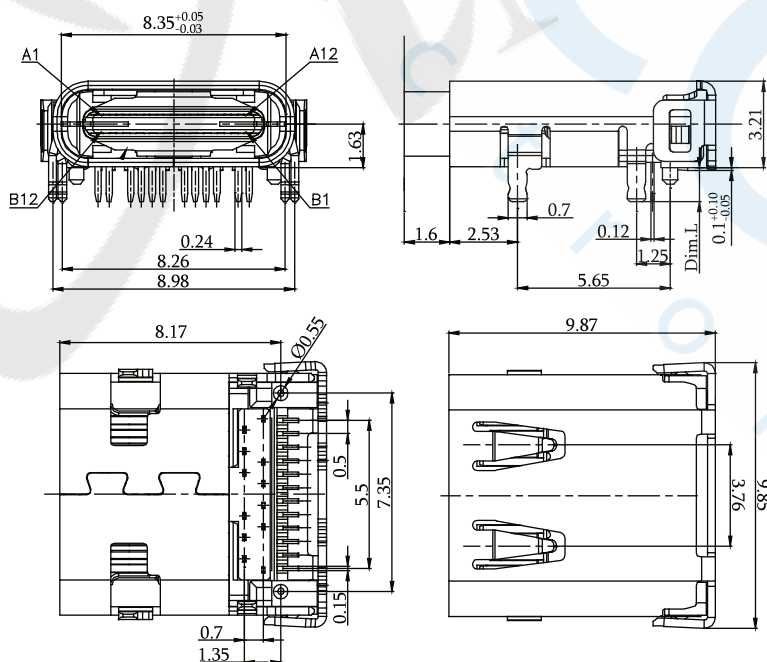


Recommended PCB Layout
(PCB TOLERANCE ±0.05)

No.	Name	Material	Finish	Q'ty	Remark
1	Molding A	LCP	Black	1	UL94V-0
2	Contact-Long	Copper Alloy	Gold/Tin Plated	12	
3	Contact-Short	Copper Alloy	Nickel Plated	12	
4	Mid-Plate	SUS	Nickel Plated	1	
5	Top EMI Pad	SUS	Nickel Plated	1	
6	Bottom EMI Pad	SUS	Nickel Plated	1	
7	Shell	SUS	Nickel Plated	1	
8	Molding B	LCP	Black	1	

P/N.:5US4C01MF-124S0BUHQ1

USB 3.1 Type C Female SMT R/A Type 24P



Recommended PCB Layout
(PCB TOLERANCE ±0.05)

No.	Name	Material	Finish	Q'ty	Remark
1	Shell	SUS	Nickel Plated	1	
2	Latch	SUS	Nickel Plated	12	
3	EMI	SUS	Nickel Plated	12	
4	SMT Connector	Copper Alloy	Gold Plated	1	
5	DIP Connector	Copper Alloy	Gold Plated	1	
6	Latch Housing	Termoplastic	Black	1	UL94V-0
7	SMT Housing	Termoplastic	Black	1	UL94V-0
8	DIP Housing	Termoplastic	Black	1	UL94V-0

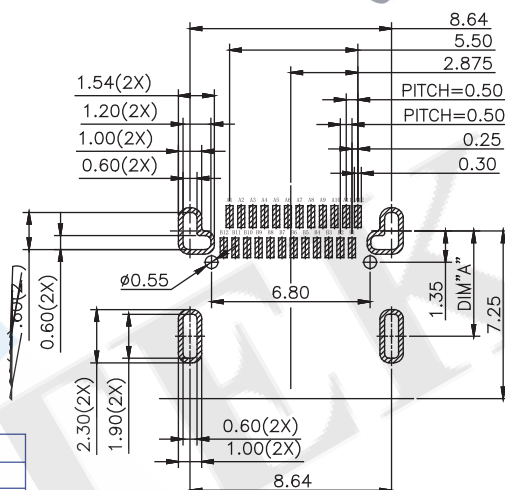
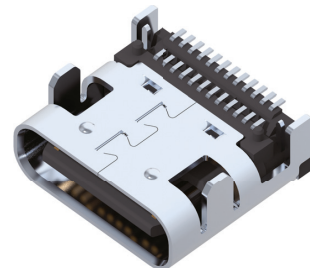
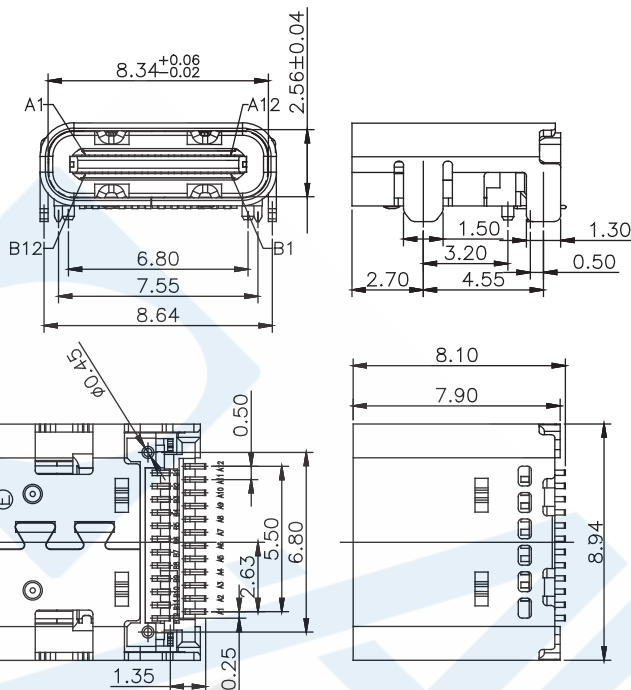
P/N.:5US4C02MF-124G0BUHQX

Dim.L 1:1.25
2:0.80
3:1.10

CONNECTORS MANUFACTURER



USB 3.1 Type C Female SMT R/A Type 24P



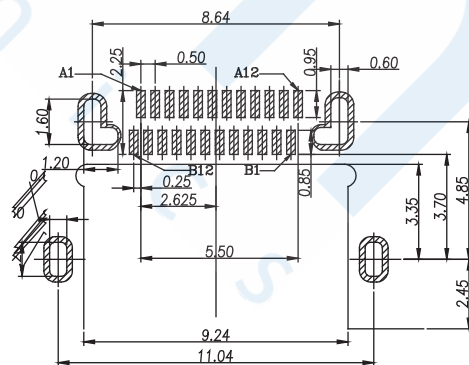
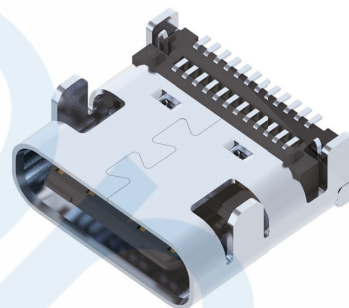
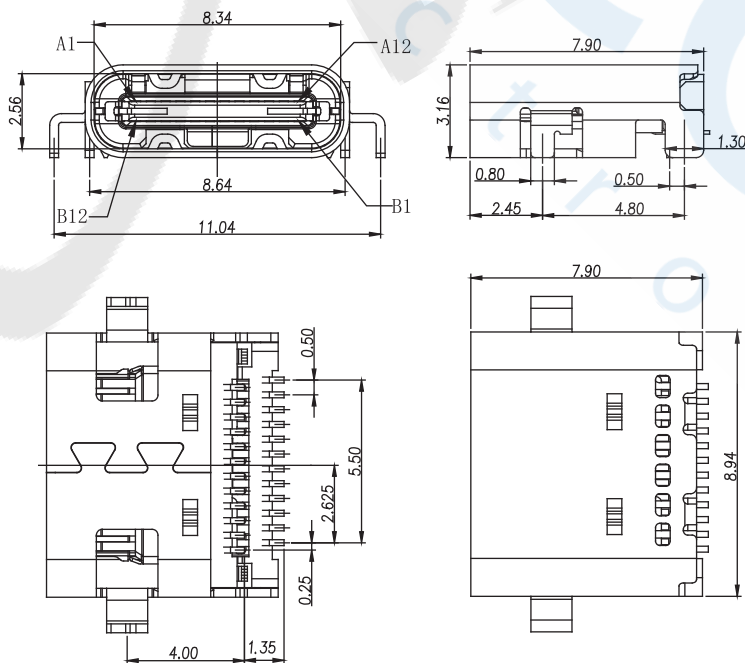
Recommended PCB Layout
(PCB TOLERANCE ±0.05)

P/N.:5US4C04MF-124G0BUHQ1

No.	Name	Material	Finish	Q'ty
1	Housing	LCP	Black	1
2	Contact	Copper Alloy T=0.12	Gold Flash	1
3	Gnd Plates	SUS 301 T=0.12	Matte Tin Plated	1
4	Spring	SUS 304 T=0.10	Matte Tin Plated	1
5	Shell	SUS 304 T=0.30		1

Contact area: 30u" Pd/Ni+Gold Flash
Solder area: 80u"min. matte Tin Plated over Nickel

USB 3.1 Type C Female SMT R/A Type 24P

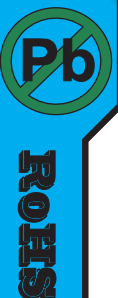


Recommended PCB Layout
(PCB TOLERANCE ±0.05)

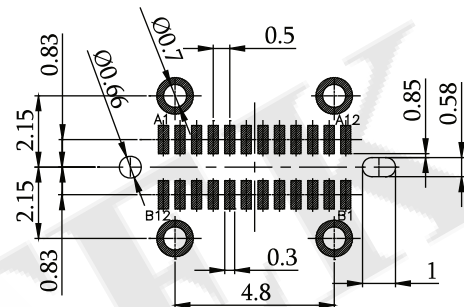
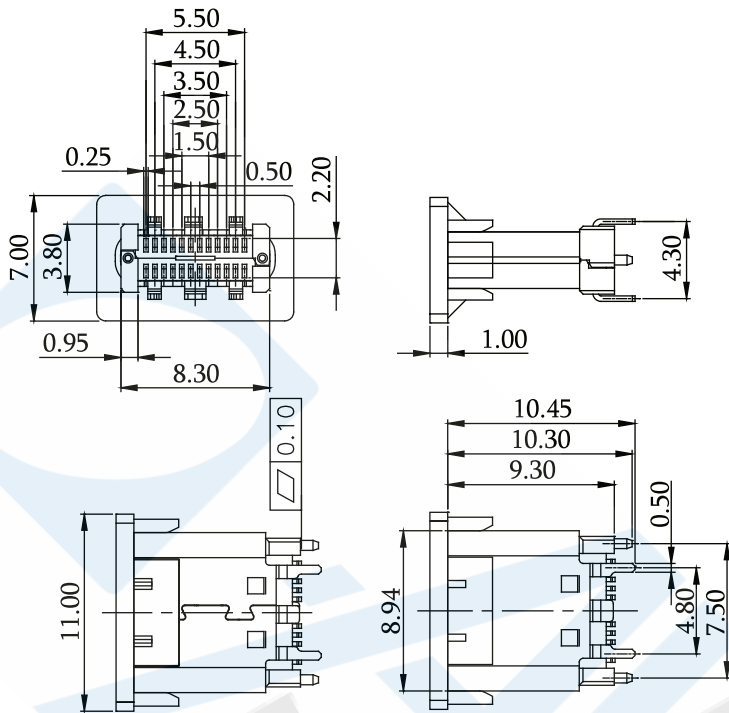
P/N.:5US4C06MF-124SDBUH41

No.	Name	Material	Finish	Q'ty	Remark
1	Housing	LCP	Black	1	UL94V-0
2	Contact	C5191	Gold/Tin Plated	1	
3	Shell	SUS301	Nickel Plated	1	

USB 3.1 Type C



USB 3.1 Type C Female SMT R/A Type 24P

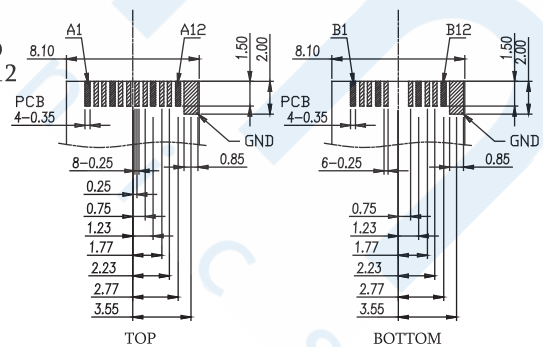
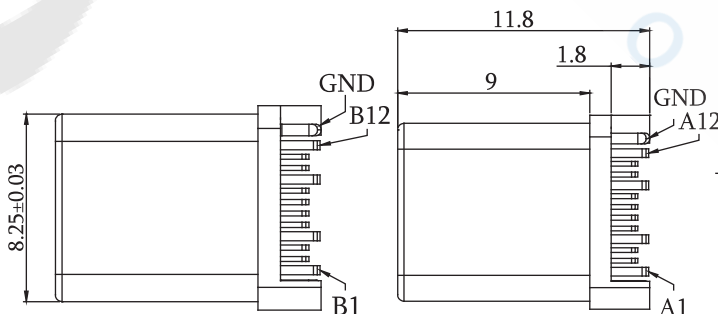
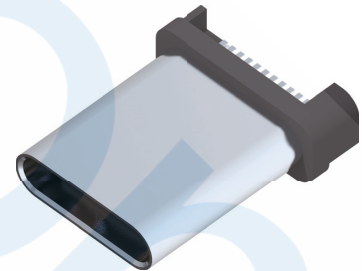
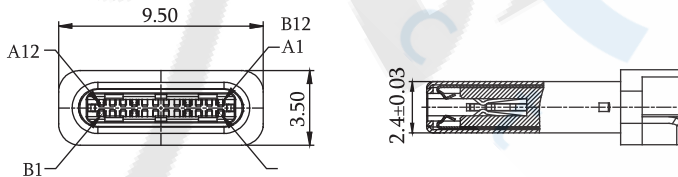


Recommended PCB Layout
(PCB TOLERANCE ± 0.05)

No.	Name	Material	Finish	Qty	Remark
1	Housing	Thermoplastic	Black	3	UL94V-0
2	Contact	Copper Alloy T:0.15	Gold/Tin Plated	24	Contact area: 30u" PD/Ni-Gold Flash Solder area: 80u"min. matte Tin Plated over Nickel
3	Gnd Plates	SUS T:0.35	Matte Tin Plated	1	
4	Shell 1	SUS	No Plated	1	
5	Shell 2	Copper Alloy T:0.15	Nickel Plated	1	

P/N.:5US4C03MF-124S0BURQ1

USB 3.1 Type C Male Straddle Type 24P



Recommended PCB Layout
(PCB TOLERANCE ± 0.05)

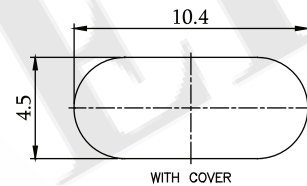
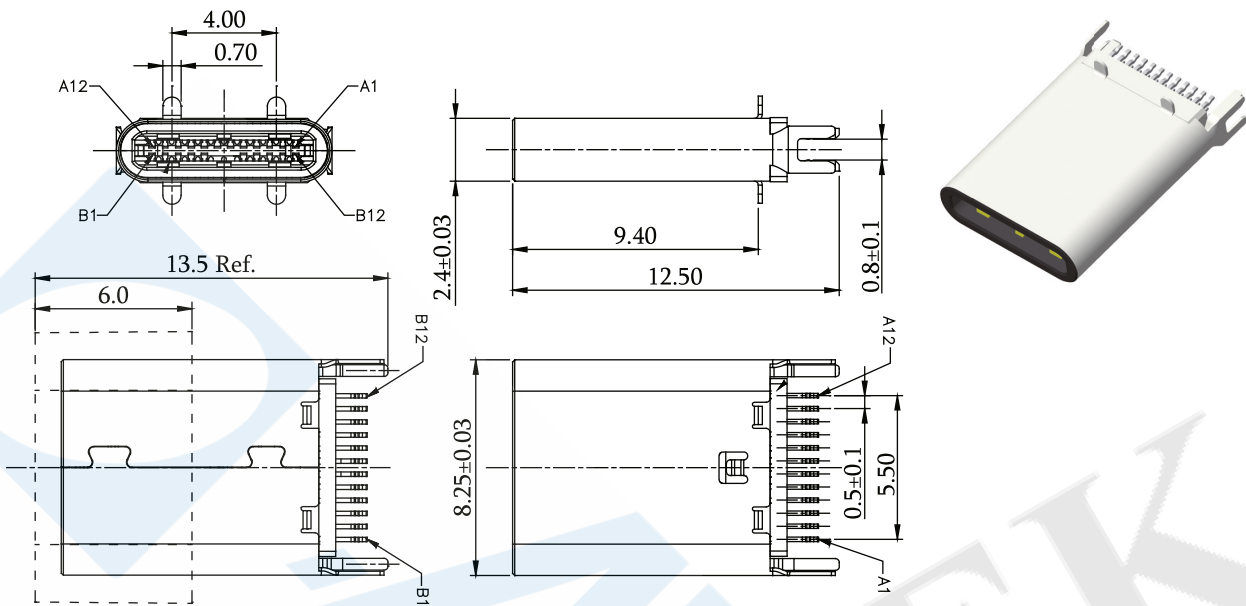
P/N.:5US4C01TM-124XXBUHCX

No.	Name	Material	Finish	Qty	Remark
1	Housing	Thermoplastic	Black	3	UL94V-0
2	Contact	Copper Alloy T:0.15	Gold/Tin Plated	24	Contact area: 30u" PD/Ni-Gold Flash Solder area: 80u"min. matte Tin Plated over Nickel
3	Gnd Plates	SUS T:0.35	Matte Tin Plated	1	
4	Shell 1	SUS	No Plated	1	
5	Shell 2	Copper Alloy T:0.15	Nickel Plated	1	

S0: Selective
SF: Selective 15u"
SD: Selective 30u"
1: W/O Shell
2: Short Shell, Type1
3: Short Shell, Type2
4: Long Shell, Type1
5: Long Shell, Type2



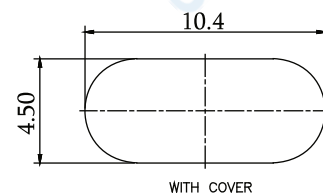
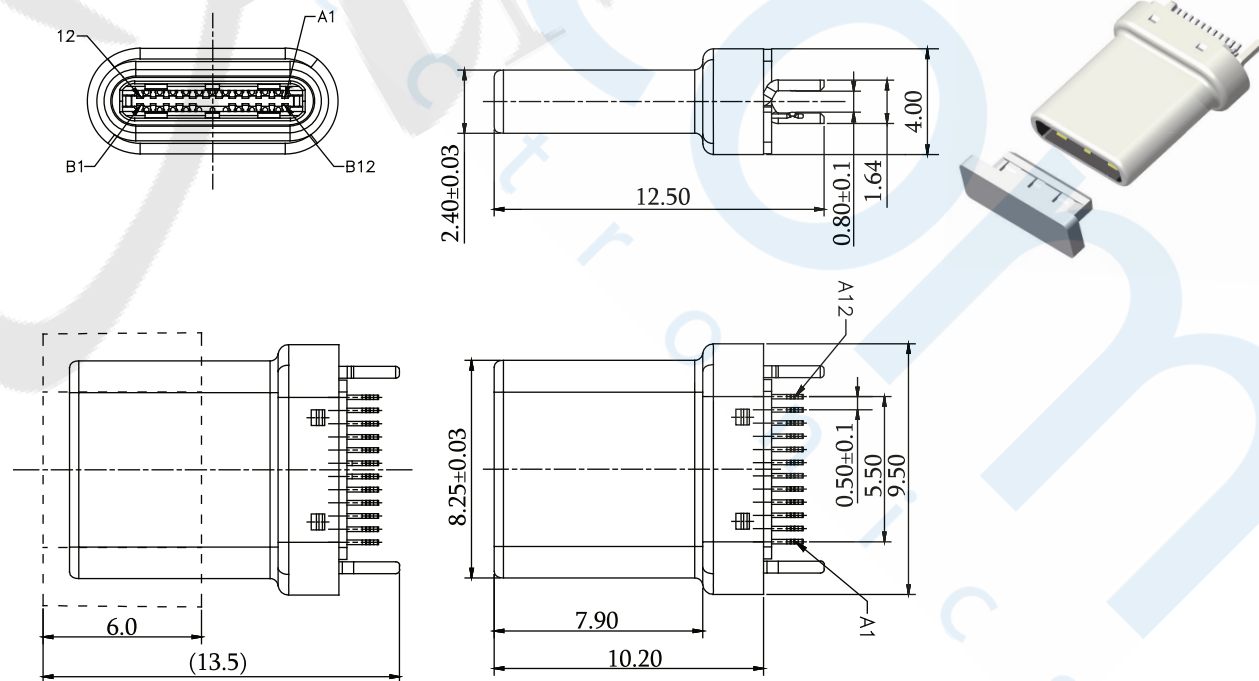
USB 3.1 Type C Male Solder Type 24P



No.	Name	Material	Finish	Qty	Remark
1	Housing	Hi-Temp. Plastic		2	UL94V-0
2	Contact	Copper Alloy T:0.15	Gold/Tin Plated	2	
3	EMI Spring	Stainless Steel		2	
4	I/M Part	Hi-Temp. Plastic	Gold/Tin Plated	2	
5	Latch	Stainless Steel	Ni 50u" Min.	1	
6	Shell	Stainless Steel	Ni 30u" Min.	1	
7	Cover	Hi-Temp. Plastic		1	Option

P/N.: 5US4C05SM-124SDBUAQ1

USB 3.1 Type C Male Solder Type 24P



No.	Name	Material	Finish	Qty	Remark
1	Housing	Hi-Temp. Plastic		2	UL94V-0
2	Contact	Copper Alloy T:0.15	Gold/Tin Plated	2	
3	EMI Spring	Stainless Steel		2	
4	I/M Part	Hi-Temp. Plastic	Gold/Tin Plated	2	
5	Latch	Stainless Steel	Ni 50u" Min.	1	
6	Shell	Stainless Steel	Ni 50u" Min.	1	
7	Cover	Hi-Temp. Plastic		1	Option

P/N.: 5US4C06SM-124SDWUAQ1

USB 3.1 Type C

