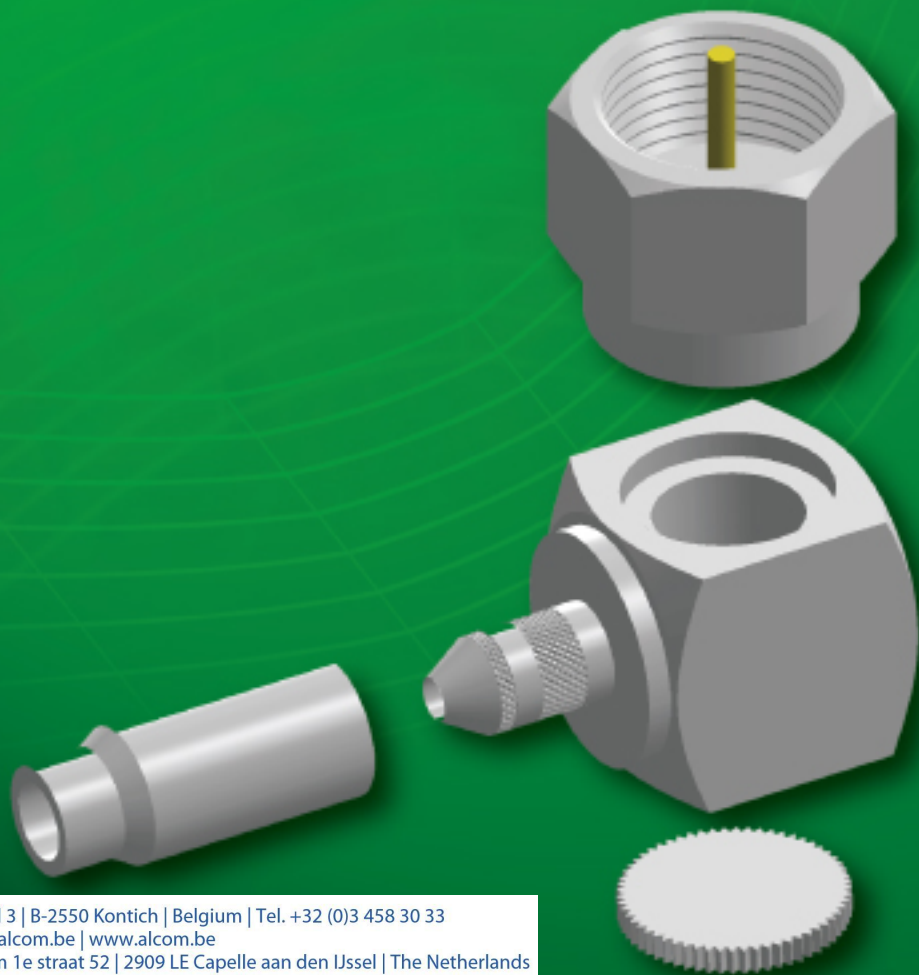


I / O Connectors

5-57~5-67 • RF Connectors



Singel 3 | B-2550 Kontich | Belgium | Tel. +32 (0)3 458 30 33
info@alcom.be | www.alcom.be
Rivium 1e straat 52 | 2909 LE Capelle aan den IJssel | The Netherlands
Tel. +31 (0)10 288 25 00 | info@alcom.nl | www.alcom.nl



AMTEK Technology Co., Ltd

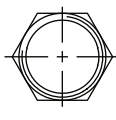
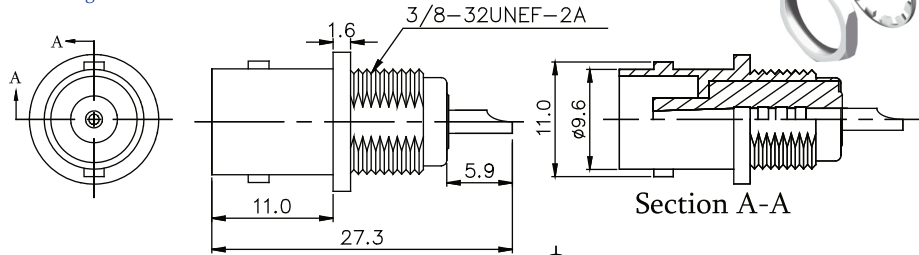
CONNECTORS MANUFACTURER



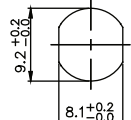
BNC Conn. Series Solder / Right Angle Type

Material & Finish

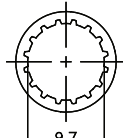
Body: Zinc Alloy, Nickel Plating
 Insulator: POM
 Center Contact: Brass, Gold Plating
 Solder Tag: Copper, Nickel Plating
 Washer: Steel, Nickel Plating
 NUT: Iron, Nickel Plating



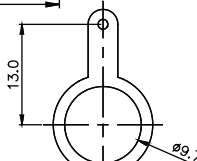
3/8-32UNEF-2B
Clamp Nut



Recommended
Mounting Hole



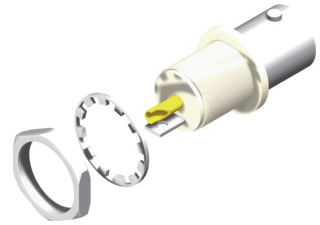
Lock Washer



Solder Tag

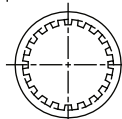
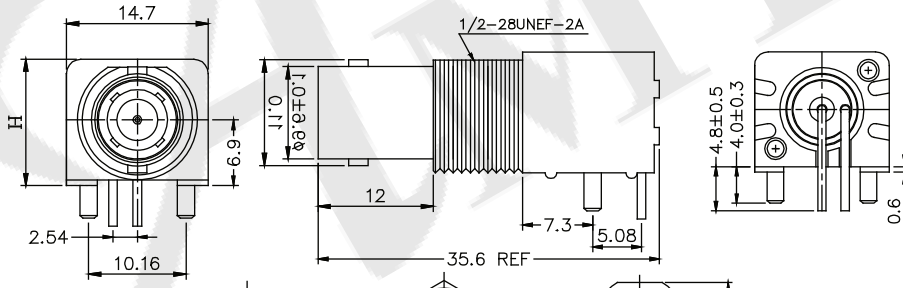
P/N.:62BNCC01-FXG0WA01

Old P/N:BNCS001-FXGW-L 5:50 Ω 7:75 Ω

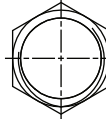


Material & Finish

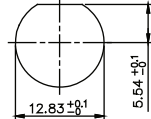
Body: Zinc Alloy Nickel Plating
 Insulator: PBT
 Center Contact: Phosphor Bronze, Gold Plating
 Mounting Post: Phosphor Bronze / Tin Plating
 Solder Tag: Copper, Tin Plating
 Washer: Steel, Nickel Plating
 NUT: Brass, Nickel Plating



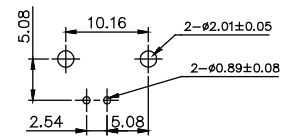
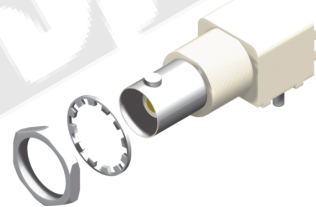
Lock Washer



1/2-28UNEF-2B
Clamp Nut



Recommended Mounting Hole
Maximum Panel Thickness:5.5mm



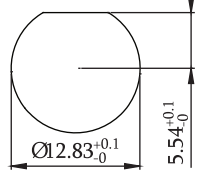
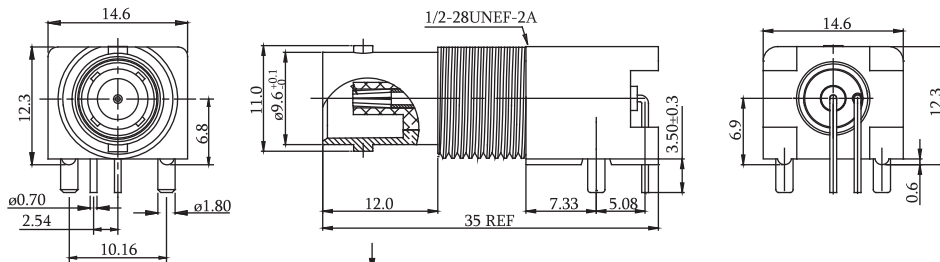
Recommended PCB Layout
(PCB TOLERANCE ±0.05)

P/N.:62BNCR01-FXG0WA0X

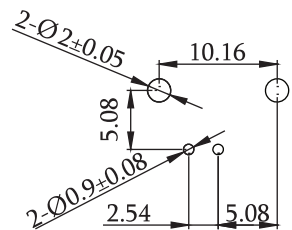
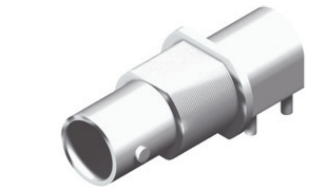
Old P/N:BNCR002-FXGWX-L 3:H=13.1mm
5:50 Ω 7:75 Ω 5:H=15.8mm

Material & Finish

Body: Zinc Alloy Nickel Plating
 Insulator: TEFLON
 Center Contact : Phosphor Bronze , Gold Plating
 Mounting Post: Brass / Tin Plating
 Solder Tag: Copper, Plating



Recommended Mounting Hole
Maximum Panel Thickness:5.5mm



Recommended PCB Layout
(PCB TOLERANCE ±0.05)

P/N.:62BNCR02-FXG0WA01

Old P/N:BNCR003-FXGWX-L 5:50 Ω 7:75 Ω

B NC Conn.

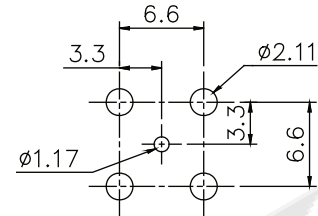
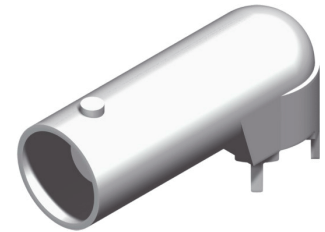
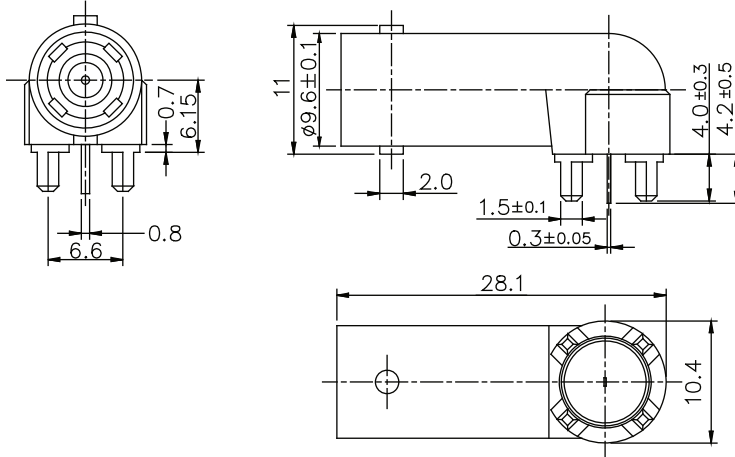


ROHS

BNC Conn. Series Right Angle / Straight Type

Material & Finish

Body: Zinc Alloy Nickel Plating
 Insulator: TEFLON
 Center Contact: Phosphor Bronze, Tin Plating
 Mounting Post: Phosphor Bronze / 3u" Gold Plating



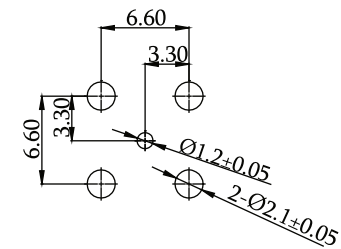
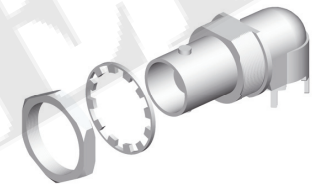
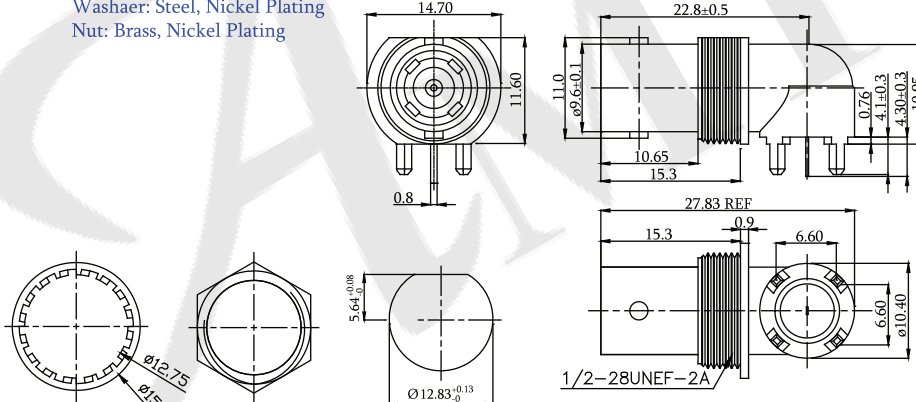
Recommended PCB Layout
(PCB TOLERANCE ± 0.05)

P/N.:62BNCR04-MXG3WA01

Old P/N:BNCR005-MXGW-L 5:50 Ω 7:75 Ω

Material & Finish

Body: Zinc Alloy Nickel Plating
 Insulator: TEFLON
 Center Contact: Phosphor Bronze, Tin Plating
 Mounting Post: Phosphor Bronze / 3u" Gold Plating
 Washer: Steel, Nickel Plating
 Nut: Brass, Nickel Plating



Recommended PCB Layout
(PCB TOLERANCE ± 0.05)

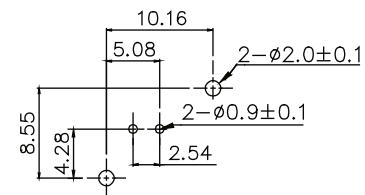
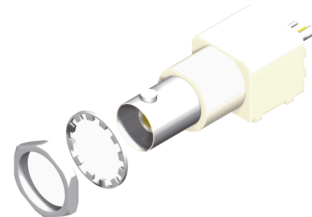
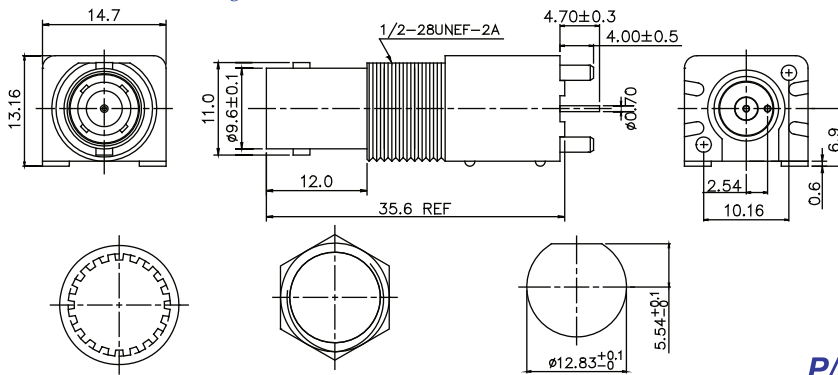
P/N.:62BNCR20-F5G0WA0X

1: W/O Washer
2: With Washer

Lock Washer 1/2-28UNEF-2B Clamp Nut Recommended Mounting Hole

Material & Finish

Body: Zinc Alloy Nickel Plating
 Insulator: PBT
 Center Contact: Phosphor Bronze, Gold Plating
 Mounting Post: Phosphor Bronze / Tin Plating
 Solder Tag: Copper Wire, Tin Plating
 Washer: Steel, Nickel Plating
 NUT: Brass, Nickel Plating



Recommended PCB Layout
(PCB TOLERANCE ± 0.05)

P/N.:62BNCS01-FXG0WA01

Old P/N:BNCS005-FXGWX-L 5:50 Ω 7:75 Ω

LOCK WASHER 1/2-28UNEF-2B Clamp Nut Recommended Mounting Hole
Maximum Panel Thickness:5.5mm

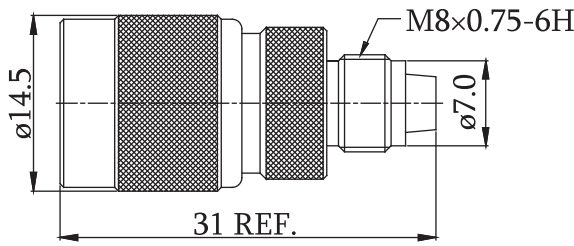
CONNECTORS MANUFACTURER



TNC Conn. Series Adaptor / Solder / Right Angle Type

Material & Finish

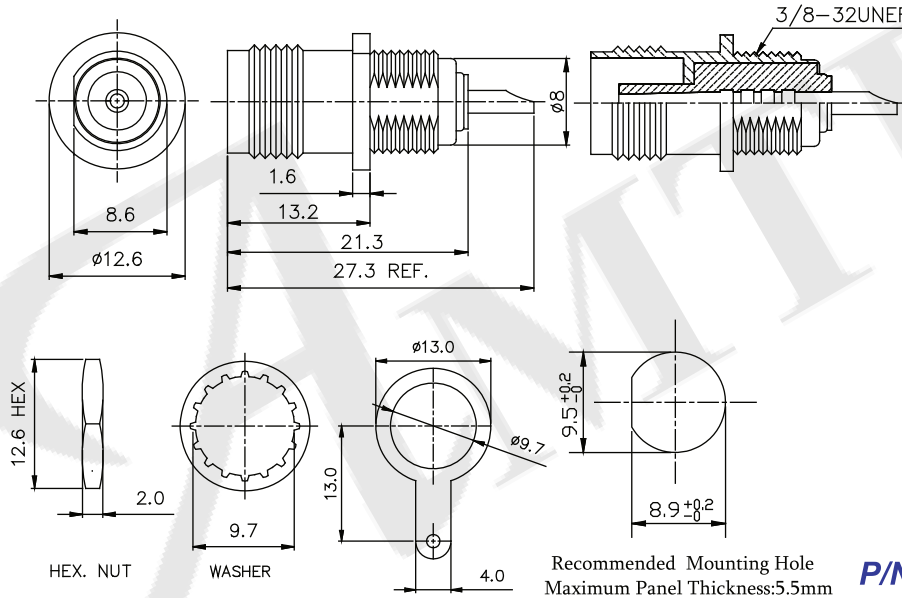
Body: Brass Nickel Plating
 Insulator: Teflon
 Center Contact: Brass, Gold Plating



P/N.:62TNCA02-N5G3WC01

Material & Finish

Body: Zinc Alloy Nickel Plating
 Insulator: DELRIN
 Center Contact: Brass, Gold Plating
 Mounting Post: Phosphor Bronze / Tin Plating

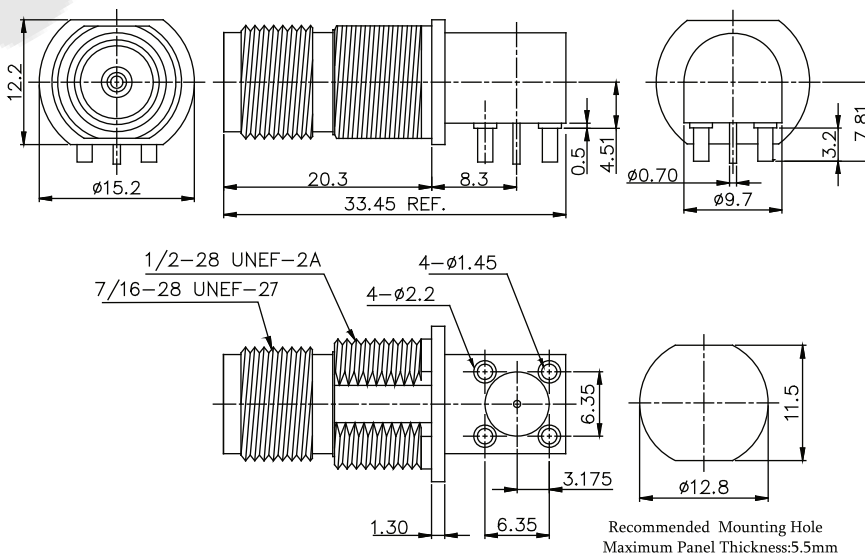


Recommended Mounting Hole
 Maximum Panel Thickness:5.5mm

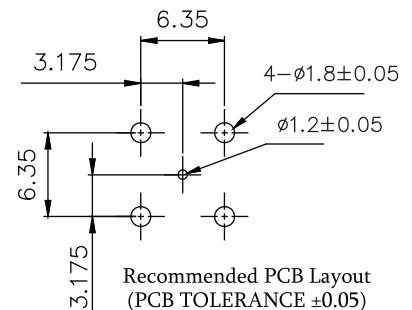
P/N.:62TNCC01-F5G0WA01
 Old P/N:TNCS001-FXGW-L

Material & Finish

Body: Zinc Alloy Nickel Plated
 Insulator: TEFLON
 Center Contact : Phosphor Bronze , Gold Plating
 Mounting Post: Brass / Tin Plating



Recommended Mounting Hole
 Maximum Panel Thickness:5.5mm



Recommended PCB Layout
 (PCB TOLERANCE ±0.05)

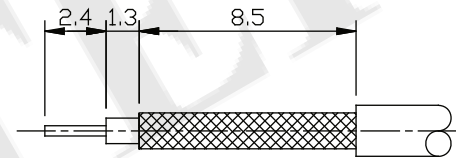
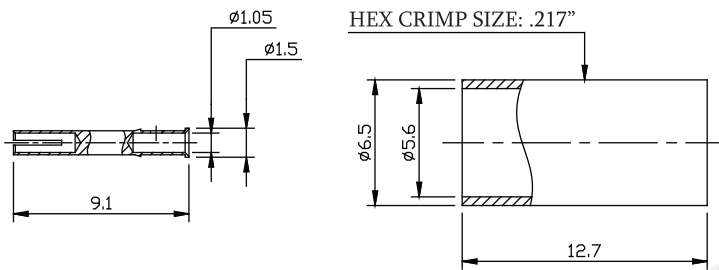
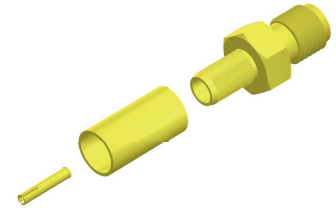
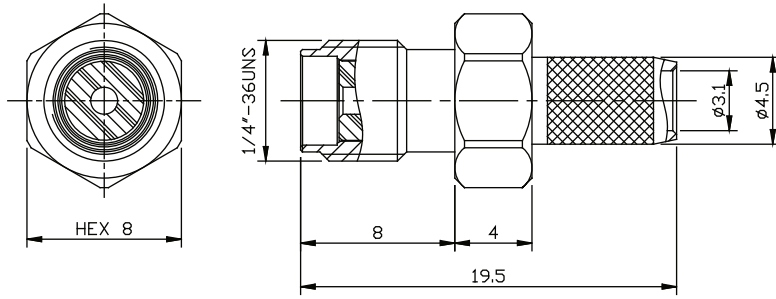
P/N.:62TNCR01-F5T0WA01
 Old P/N:TNCR001-FXTW-L

TNC Conn.



ROHS

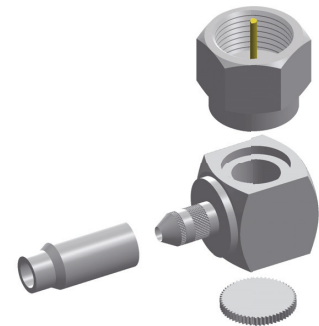
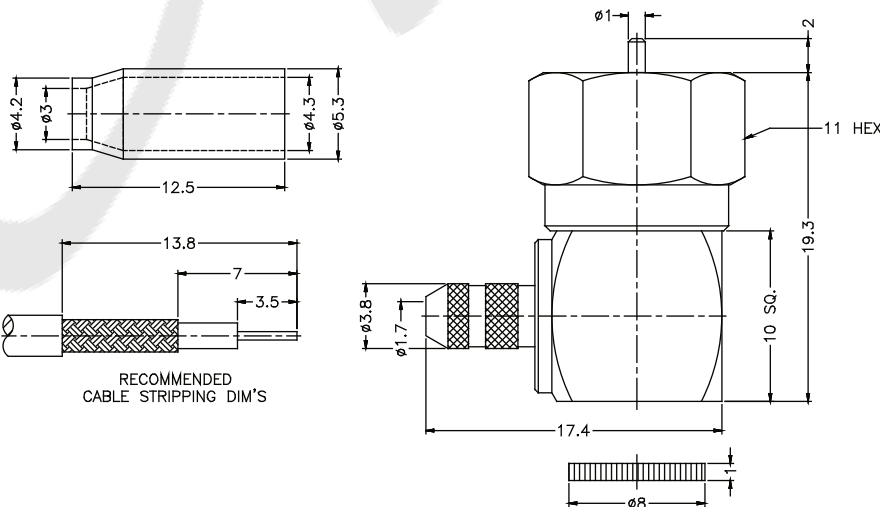
SMA Conn. Series Solder Type



No.	Name	Material	Finish	Q'ty
1	Insulator	TEFLON		1
2	Body	Brass	Gold Plated	1
3	Contact Pin	Phosphor Bronze	Gold Plated	1
4	Ferrule	Brass	Gold Plated	1

RECOMMENDED STRIP LENGTHS

P/N.:62SMAC01-F5G0WB02
Old P/N: SMA001-F5G0WG-L



RECOMMENDED CABLE STRIPPING DIM'S

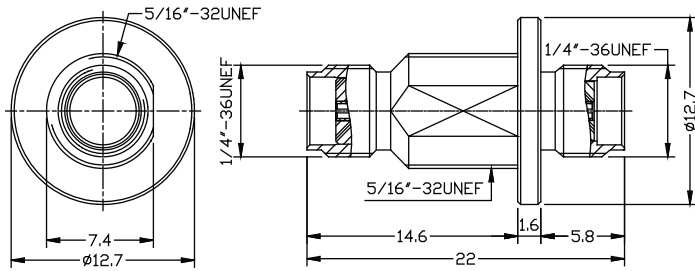
No.	Name	Material	Finish	Q'ty
1	Housing	Brass	Nickel Plated	1
2	Body	Brass	Nickel Plated	1
3	Insulator	TEFLON	Natural	1
4	Shell	Brass	Nickel Plated	1
5	Contact Pin	Brass	Gold Plated	1
6	Cover	Brass	Nickel Plated	1
7	Ferrule	Brass	Nickel Plated	1

P/N.:62SMAC15-M7G3WC01

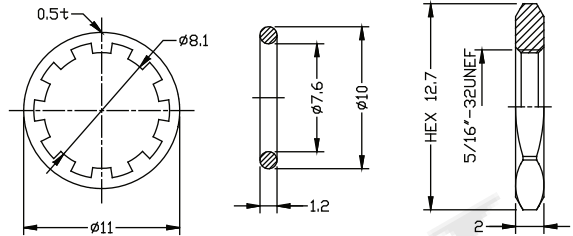
CONNECTORS MANUFACTURER



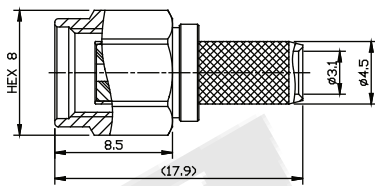
SMA Conn. Series Adaptor Type



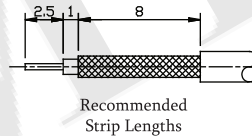
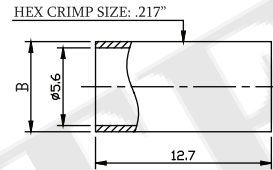
No.	Name	Material	Finish	Qty
1	Body	Brass	Gold Plated	1
2	Insulator	TEFLON		1
3	Contact Pin	Phosphor Bronze	Gold Plated	1
4	Insulator	TEFLON		1
5	O Ring	Silicone	Black	1
6	Washer	Brass	Gold Plated	1
7	Nut	Brass	Gold Plated	1



P/N.:62SMAA07-F5G0WB01

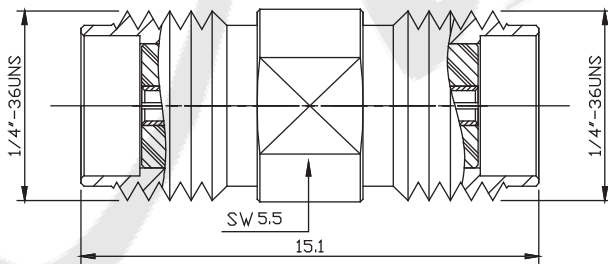


No.	Name	Material	Finish	Qty
1	Shell	Brass	Gold Plated	1
2	Gasket	Silicone	Red	1
3	O Ring	Stainless		1
4	Insulator	TEFLON		1
5	Body	Brass	Gold Plated	1
6	Contact Pin	Brass	Gold Plated	1
7	Ferrule	Brass	Gold Plated	1



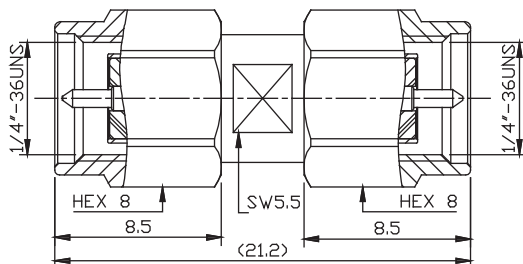
Part No.	A	B
62SMAA16-N5G0WB01	ø1.05	ø5.4
62SMAA16-N5G0WB02	ø1.05	ø5.8
62SMAA16-N5G0WB03	ø1.2	ø5.6

P/N.:62SMAA16-N5G0WB0X



No.	Name	Material	Finish	Qty
1	Body	Brass	Gold Plated	1
2	Insulator	TEFLON		1
3	Contact Pin	Phosphor Bronze	Gold Plated	1

P/N.:62SMAA20-F5G0WB01



No.	Name	Material	Finish	Qty
1	Shell	Brass	Gold Plated	1
2	Contact Pin	Brass	Gold Plated	1
3	Gasket	Silicone	Red	2
4	Inner Retaining Ring	Stainless Steel		2
5	Insulator	TEFLON		2
6	Body	Brass	Gold Plated	1

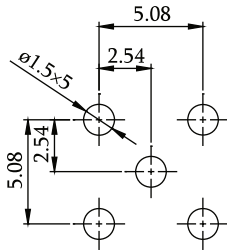
P/N.:62SMAA21-M5G0WB01

SMA Conn.

Pb

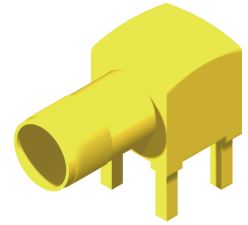
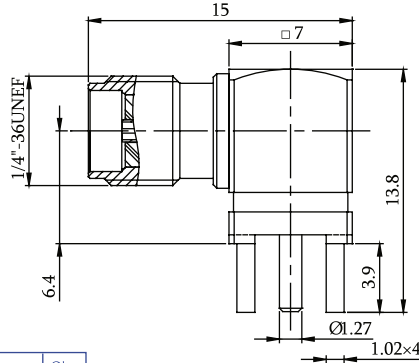
ROHS

SMA Conn. Series Right Angle Type

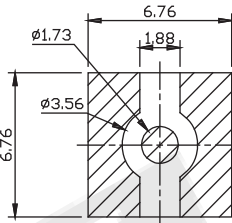


Recommended PCB Layout (PCB TOLERANCE ±0.05)

No.	Name	Material	Finish	Qty
1	Body	Brass	Gold/Nickel Plated	1
2	Insulator	TEFLON		1
3	Contact Pin	Phosphor Bronze	Gold Plated/ Gold 3u"	1
4	Body	Brass	Gold/Nickel Plate	1
5	Insulator	TEFLON		1

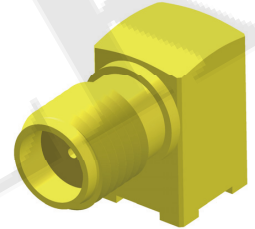
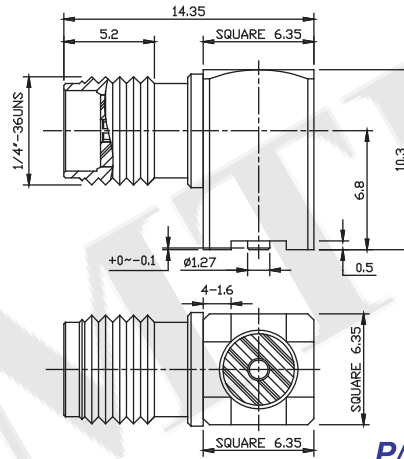


P/N.:62SMAR01-F5GXWB01
Old P/N:SMA009-F5GWL

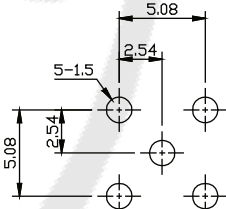


Recommended PCB Layout (PCB TOLERANCE ±0.05)

No.	Name	Material	Finish	Qty
1	Body	Brass	Gold Plated	1
2	Insulator	TEFLON		1
3	Contact Pin	Phosphor Bronze	Gold Plated	1
4	Body	Brass	Gold Plated	1
5	Insulator	TEFLON		1

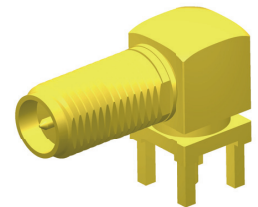
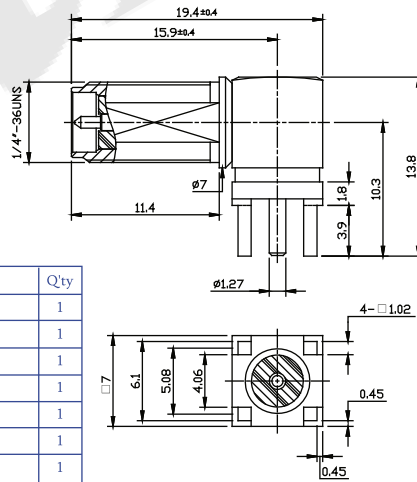


P/N.:62SMAR16-F5G0WB01

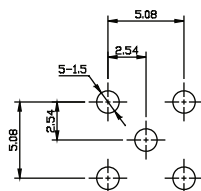


Recommended PCB Layout (PCB TOLERANCE ±0.05)

No.	Name	Material	Finish	Qty
1	Body	Brass	Gold Plated	1
2	Insulator	TEFLON		1
3	Contact Pin	Brass	Gold Plated	1
4	Body	Brass	Gold Plated	1
5	Insulator	TEFLON		1
6	Washer	Brass	Gold Plated	1
7	Nut	Brass	Gold Plated	1

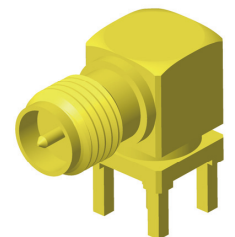
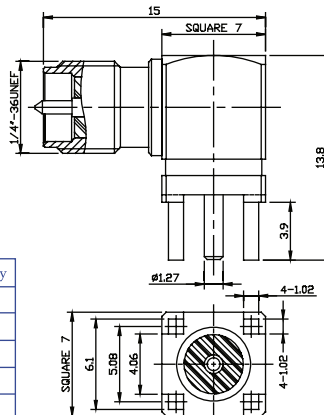


P/N.:62SMAR19-F5G0WB01



Recommended PCB Layout (PCB TOLERANCE ±0.05)

No.	Name	Material	Finish	Qty
1	Body	Brass	Gold Plated	1
2	Insulator	TEFLON		1
3	Contact Pin	Phosphor Bronze	Gold Plated	1
4	Body	Brass	Gold Plated	1
5	Insulator	TEFLON		1

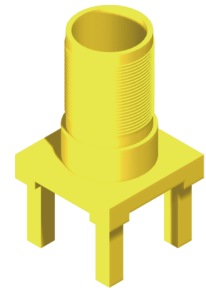
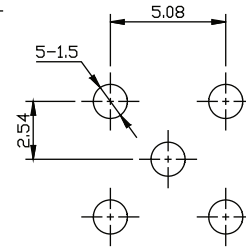
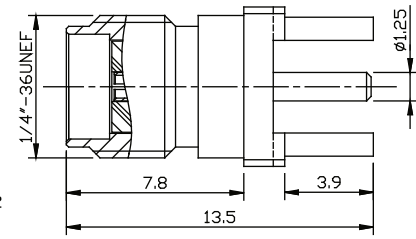
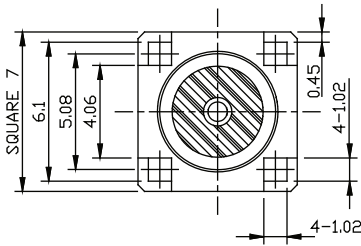


P/N.:62SMAR21-M5G0WB01
Old P/N:SMA009A-M5GWL

CONNECTORS MANUFACTURER



SMA Conn. Series Straight Type

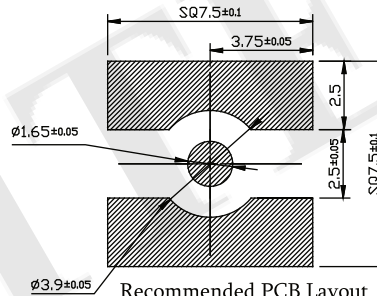
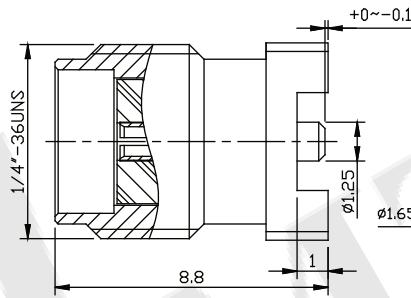
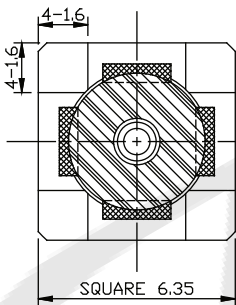


No.	Name	Material	Finish	Q'ty
1	Body	Brass	Gold Plated	1
2	Insulator	TEFLON		1
3	Contact Pin	Phosphor Bronze	Gold Plated	1
4	Insulator	TEFLON		1
5	Press Washer	Brass	Gold Plated	1

Recommended PCB Layout
(PCB TOLERANCE ± 0.05)

P/N.:62SMAS01-F5G0WB01

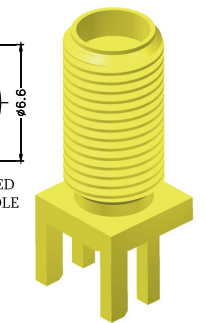
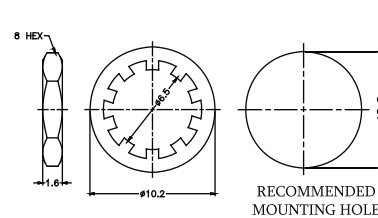
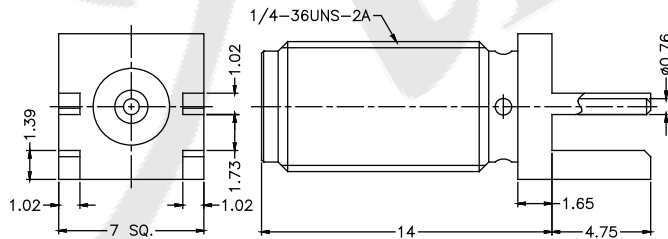
Old P/N:SMA010-F5GWG-L



No.	Name	Material	Finish	Q'ty
1	Body	Brass	Gold Plated	1
2	Insulator	TEFLON		1
3	Contact Pin	Phosphor Bronze	Gold Plated	1

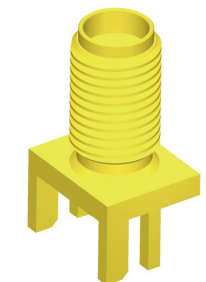
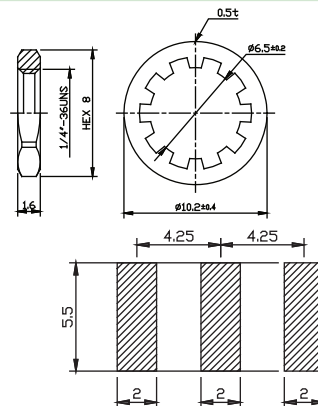
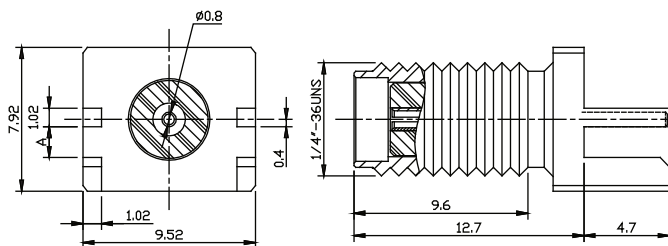
Recommended PCB Layout
(PCB TOLERANCE ± 0.05)

P/N.:62SMAS18-F5G0WB01



No.	Name	Material	Finish	Q'ty
1	Body	Brass	Gold Plated	1
2	Insulator	TEFLON	Natural	1
3	Contact Pin	Beryllium Copper	Gold 3u" Plated	1
4	Lock Washer	Brass	Gold Plated	1
5	HEX Nut	Brass	Gold Plated	1

P/N.:62SMAS20-F5G3WC01



No.	Name	Material	Finish	Q'ty
1	Body	Brass	Gold Plated	1
2	Insulator	TEFLON		1
3	Contact Pin	Phosphor Bronze	Gold Plated	1
4	Washer	Brass	Gold Plated	1
5	Nut	Brass	Gold Plated	1

Recommended PCB Layout
(PCB TOLERANCE ± 0.05)

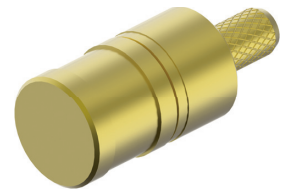
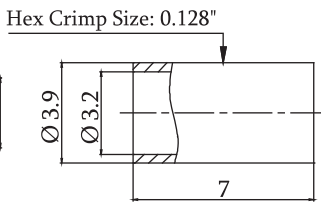
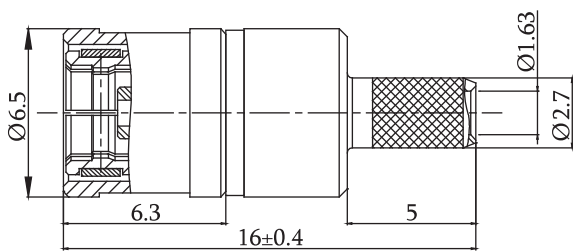
P/N.:62SMAS24-F5G0WB01

SMA Conn.

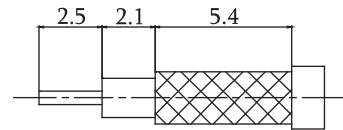
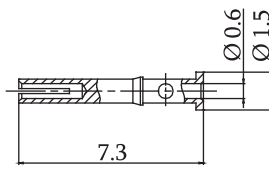


ROHS

SMB Conn. Series Solder / Right Angle / Straight Type

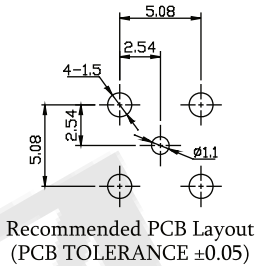


No.	Name	Material	Finish	Qty
1	Inner Retaining Ring	Beryllium Copper	Gold Plated	1
2	Shell	Brass	Gold Plated	1
3	Body	Brass	Gold Plated	1
4	Insulator	TEFLON		1
5	Cable Body	Brass	Gold Plated	1
6	Center Pin	Beryllium Copper	Gold Plated	1
7	Ferrule	Brass	Gold Plated	1



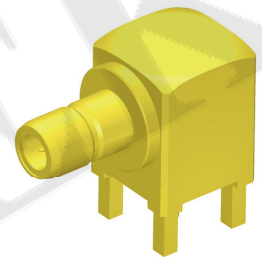
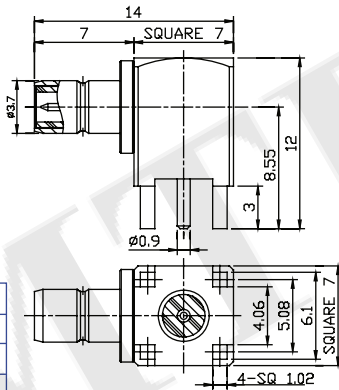
Reference Strip Lengths

P/N.:62SMB02-M5G0WB01

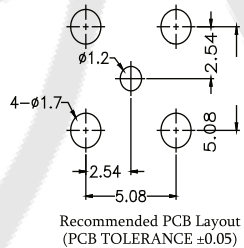


Recommended PCB Layout (PCB TOLERANCE ±0.05)

No.	Name	Material	Finish	Qty
1	Body	Brass	Gold 1.5u"	1
2	Insulator	TEFLON		1
3	Contact Pin	Brass	Gold 1.5u"	1
4	Insulator	TEFLON		1
5	SQ Body	Brass	Gold 1.5u"	1

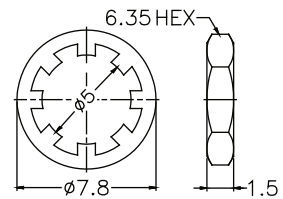
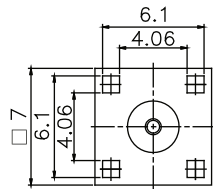
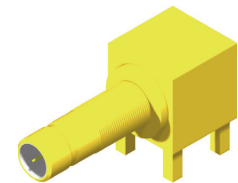
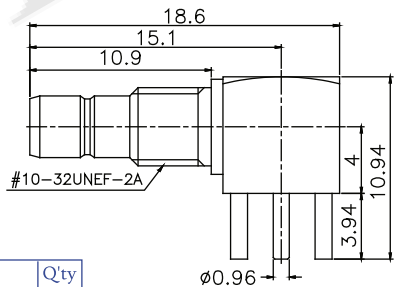


P/N.:62SMBR03-M5G0WB01
Old P/N.:SMB007-M5GWG-L

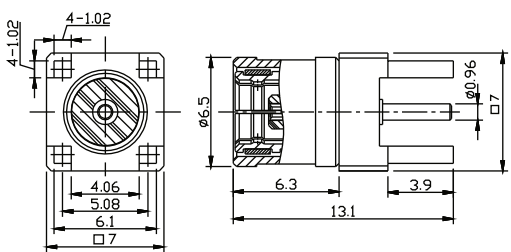


Recommended PCB Layout (PCB TOLERANCE ±0.05)

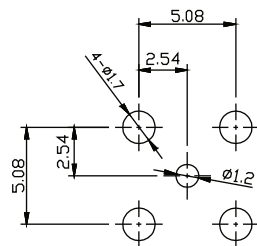
No.	Name	Material	Finish	Qty
1	Housing	Brass	Gold Plated	1
2	Body	Brass	Gold Plated	1
3	Insulator	TEFLON	Natural	1
4	Contact Pin	Brass	Gold Plated	1
5	Insulator	TEFLON	Gold Plated	1
6	Lock Washer	Brass	Gold Plated	1
7	HEX Nut	Brass	Gold Plated	1



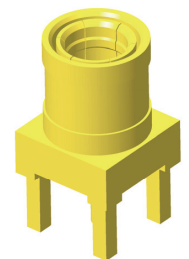
P/N.:62SMBR05-F5G0WC01



No.	Name	Material	Finish	Qty
1	Shell	Brass	Gold Plated	1
2	Inner Retaining Ring	Beryllium Copper	Gold Plated	1
3	Insulator	TEFLON		1
4	Contact Pin	Beryllium Copper	Gold Plated	1
5	Body	Brass	Gold Plated	1



Recommended PCB Layout (PCB TOLERANCE ±0.05)

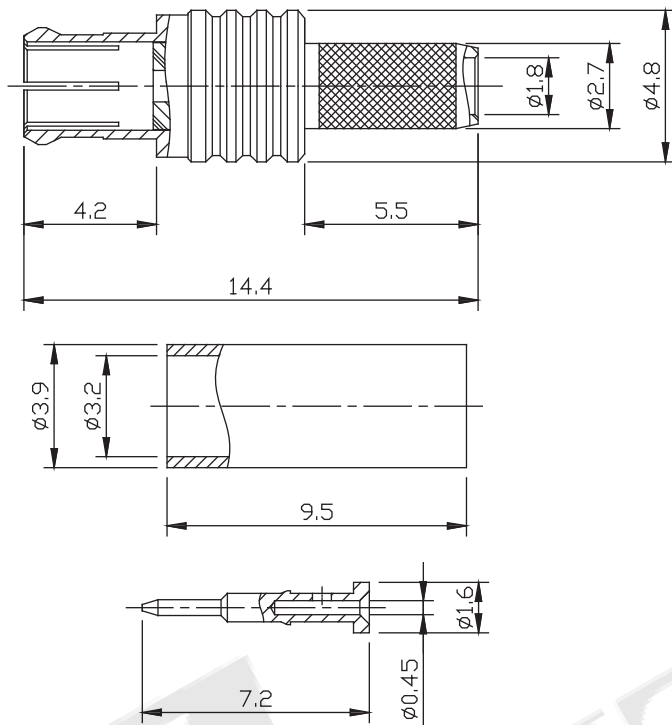


P/N.:62SMB01-M5G0WB01

CONNECTORS MANUFACTURER

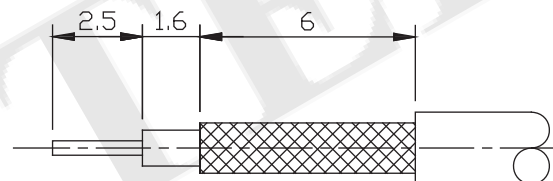


MCX Conn. Series Solder Type



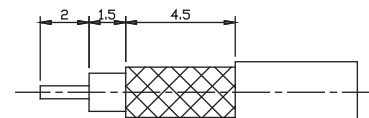
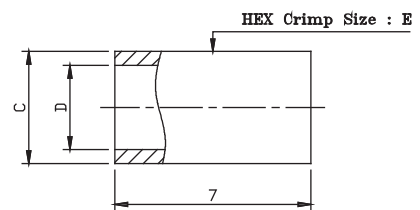
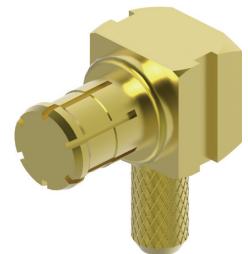
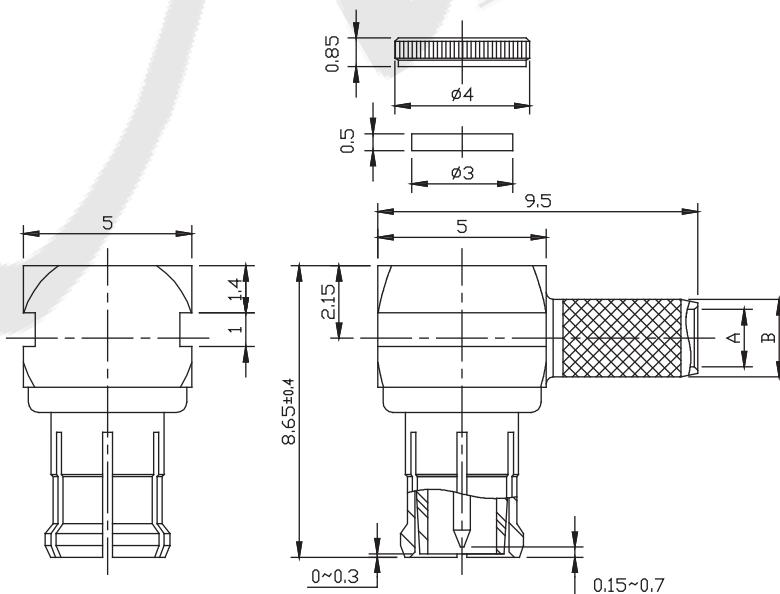
M CX Conn.

No.	Name	Material	Finish	Q'ty
1	Body	Phosphor Bronze	Gold Plated	1
2	Insulator	TEFLON		1
3	Body	Brass	Gold Plated	1
4	Contact Pin	Brass	Gold Plated	1
5	Ferrule	Brass	Gold Plated	1



Recommended Strip Lengths

P/N.:62MCXC01-M7G0WB02



No.	Name	Material	Finish	Q'ty
1	Press Cover	Brass	Gold Plated	1
2	Insulator Cover	POM		1
3	Cube Body	Brass	Gold Plated	1
4	Center Pin	Brass	Gold Plated	1
5	Body	Beryllium Copper	Gold Plated	1
6	Insulator	TEFLON		1
7	Ferrule	Brass	Gold Plated	1

Table

P/N	Cable	A	B	C	D	E
62MCXC03-M5G0WB01	RG316/RG174	Ø1.70	Ø2.30	Ø4.0	Ø3.0	.137"
62MCXC03-M5G0WB02	RD316	Ø1.70	Ø2.30	Ø3.9	Ø3.2	.128"

P/N.:62MCXC03-M5G0WB0X

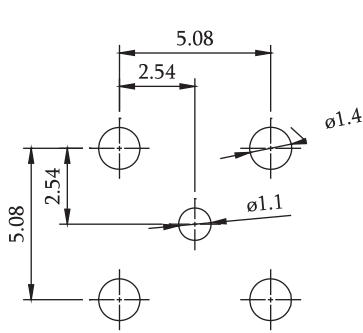
See Table



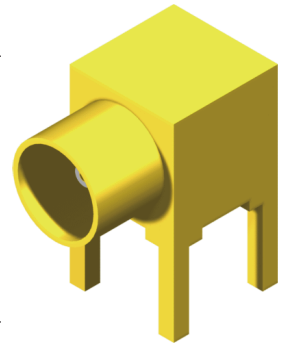
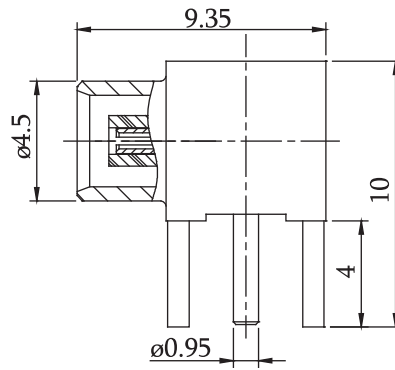
ROHS

AMTEK COMMUNICATIONS MANUFACTURING

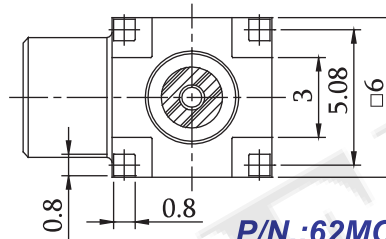
MCX Conn. Series Right Angle / Straight Type



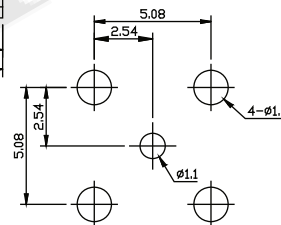
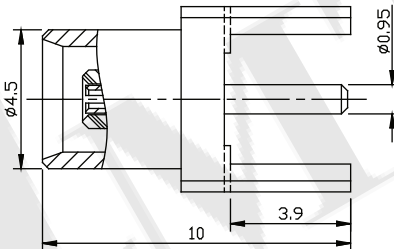
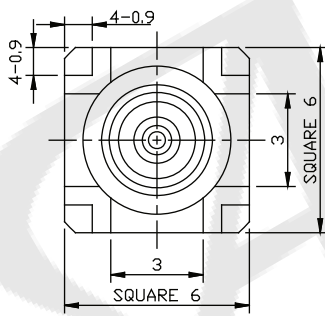
Recommended PCB Layout
(PCB TOLERANCE ± 0.05)



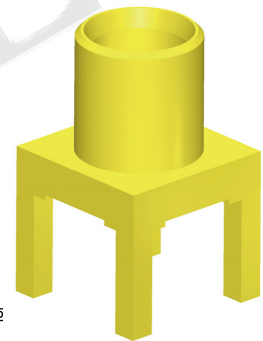
No.	Name	Material	Finish	Q'ty
1	Center Pin	Beryllium Copper	Gold Plated	1
2	Press Washer	Brass	Gold Plated	1
3	Insulator	TEFLON		1
4	Body	Brass	Gold Plated	1
5	Insulator	TEFLON		1
6	Press Washer	Brass	Gold Plated	1



P/N.:62MCXR01-F5G0WB01
Old P/N:MCX006-F5GWG-L

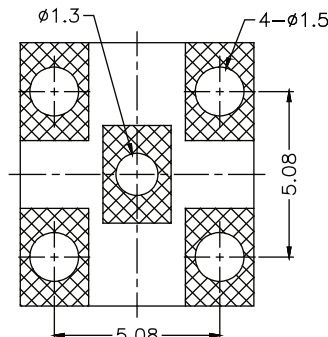
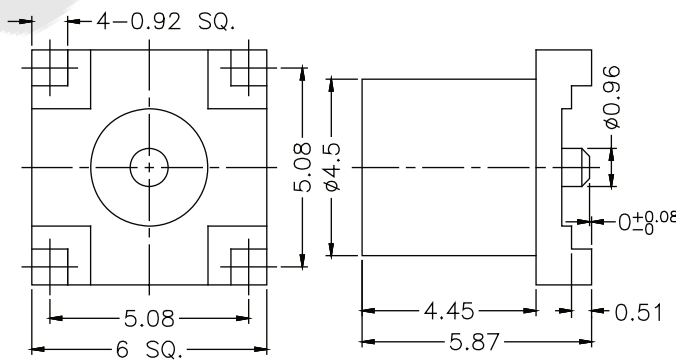


Recommended PCB Layout
(PCB TOLERANCE ± 0.05)



No.	Name	Material	Finish	Q'ty
1	Body	Brass	Gold Plated	1
2	Insulator	TEFLON		1
3	Contact Pin	Beryllium Copper	Gold Plated	1

P/N.:62MCXS03-F5G0WB01



Recommended PCB Layout
(PCB TOLERANCE ± 0.05)

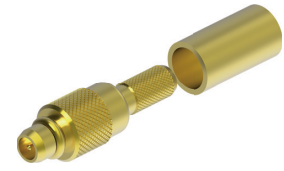
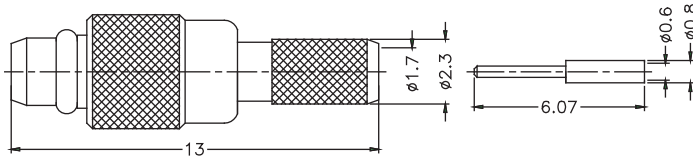
No.	Name	Material	Finish	Q'ty
1	Body	Brass	Gold Plated	1
2	Insulator	TEFLON	Natural	1
3	Contact Pin	Beryllium Copper	Gold Plated	1

P/N.:62MCXS09-F5G0WC01

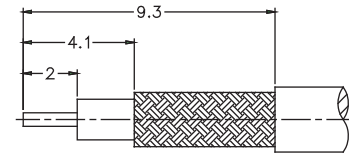
CONNECTORS MANUFACTURER



MMCX Conn. Series Solder / Right Angle / Straight Type

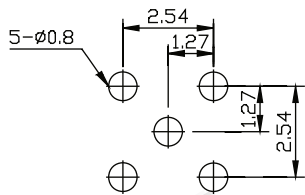


No.	Name	Material	Finish	Q'ty
1	Body	Brass	Gold Plated	1
2	Insulator	TEFLON	Natural	1
3	Barrel	Brass	Gold Plated	1
4	Contact Pin	Brass	Gold Plated	1
5	Retainer Ring	Beryllium Copper	Gold Plated	1
6	Ferreule	Copper	Gold Plated	1



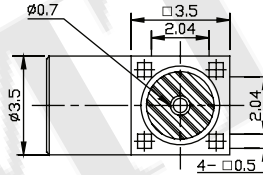
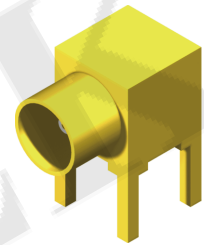
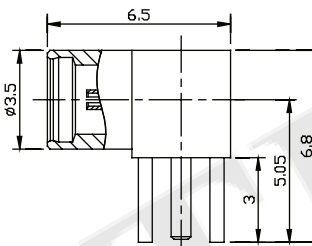
RECOMMENDED
CABLE STRIPPING DIM'S
P/N.:62DMCC06-M5G3WC01

M MCX Conn.

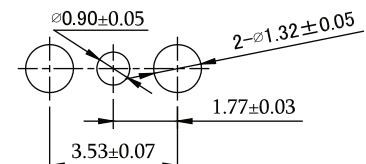
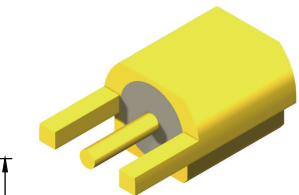
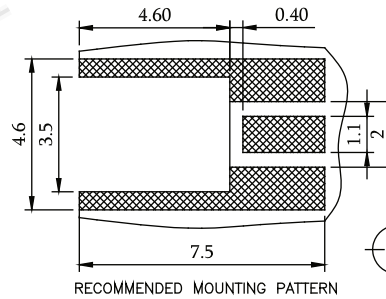
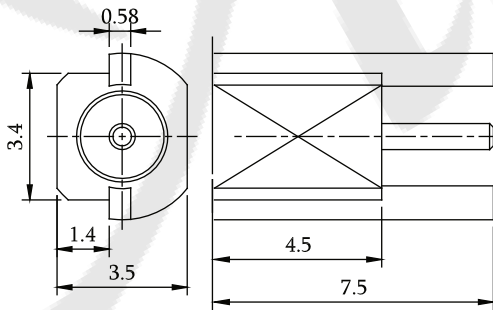


Recommended PCB Layout
(PCB TOLERANCE ±0.05)

No.	Name	Material	Finish	Q'ty
1	Body	Brass	Gold Plated	1
2	Insulator	TEFLON		1
3	Insulator	TEFLON		1
4	Contact Pin	Beryllium Copper	Gold Plated	1



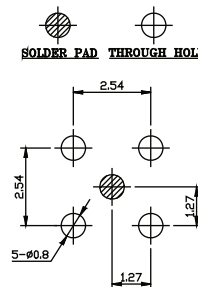
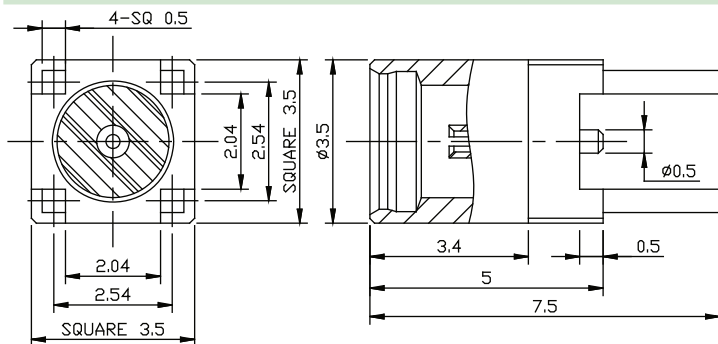
P/N.:62DMCR01-F5G0WB01
Old P/N.:MMCX010-F5G0WG-L



Recommended PCB Layout
(PCB TOLERANCE ±0.05)

P/N.:62DMCS07-F5G0WC01

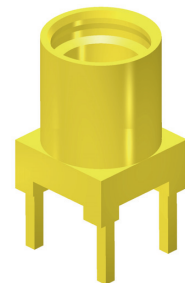
No.	Name	Material	Finish	Q'ty
1	Body	Brass	Gold Plated	1
2	Insulator	TEFLON	Natural	1
3	Contact Pin	Beryllium Copper	Gold Plated	1



Recommended PCB Layout
(PCB TOLERANCE ±0.05)

P/N.:62DMCS08-F5G0WB01

No.	Name	Material	Finish	Q'ty
1	Body	Brass	Gold Plated	1
2	Insulator	TEFLON		1
3	Contact Pin	Beryllium Copper	Gold Plated	1



5-67