

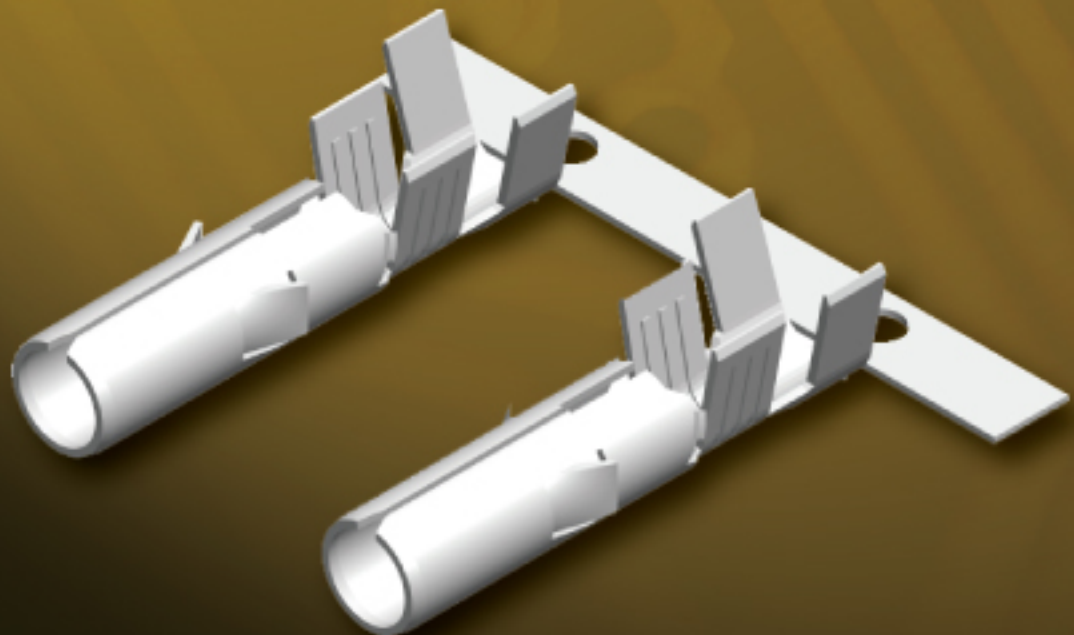
Board To Wire & Wire To Wire Connectors

3-122~3-124 • Housing Wafer Terminal 6.2mm

3-125~3-127 • Housing Wafer Terminal 6.35mm

3-128~3-130 • Housing Wafer Terminal 6.7mm

3-131 • Housing Wafer Terminal 8.38mm



Singel 3 | B-2550 Kontich | Belgium | Tel. +32 (0)3 458 30 33

info@alcom.be | www.alcom.be

Rivium 1e straat 52 | 2909 LE Capelle aan den IJssel | The Netherlands

Tel. +31 (0)10 288 25 00 | info@alcom.nl | www.alcom.nl

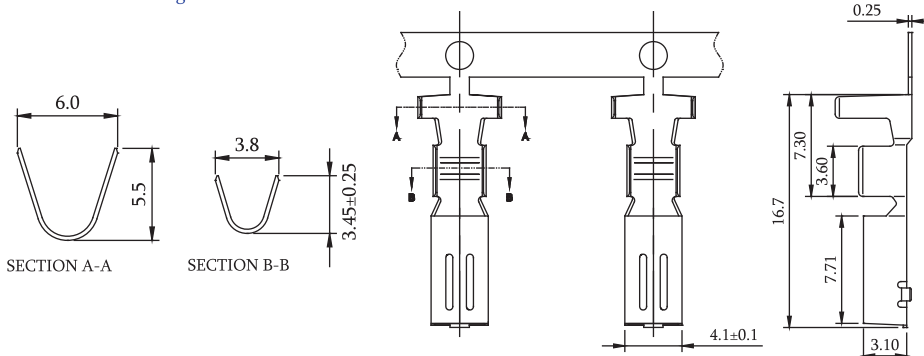
6.2mm 6201 Series Female Terminal / Female & Male Housing

Specifications

Operation Temperature: -40°C to +105°
 Insulation Resistance: 100MΩ Min.
 Dielectric Voltage: 2000V AC for one minute

Material

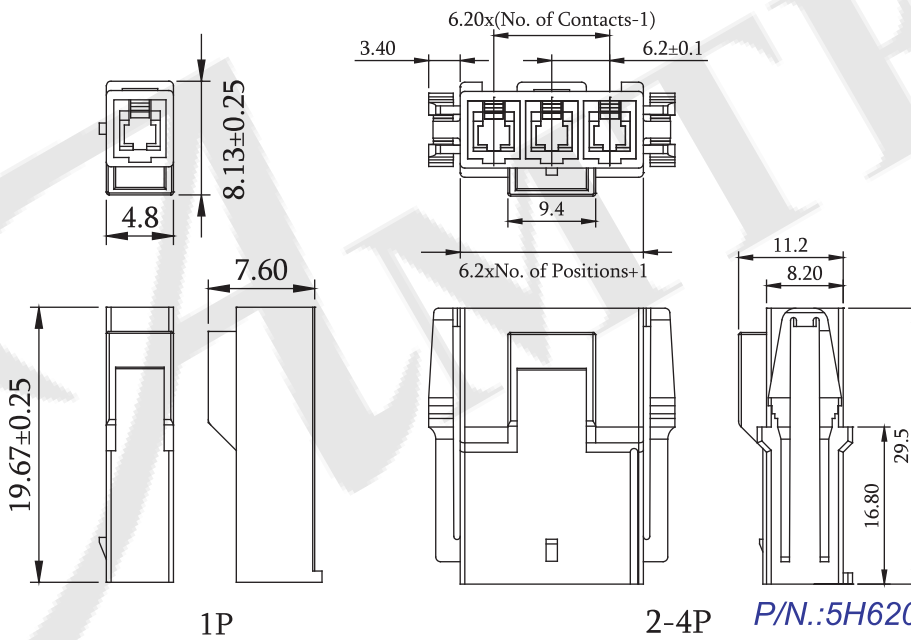
Housing: Nylon 66, UL94V-0
 Terminal: Brass / Tin Plated



Wire Range	Insulation O.D.
AWG#14-#20	4.10mm(max)

P/N.:5T6201N-PXXRG01

T0: Tin Plated G0: Gold Plated



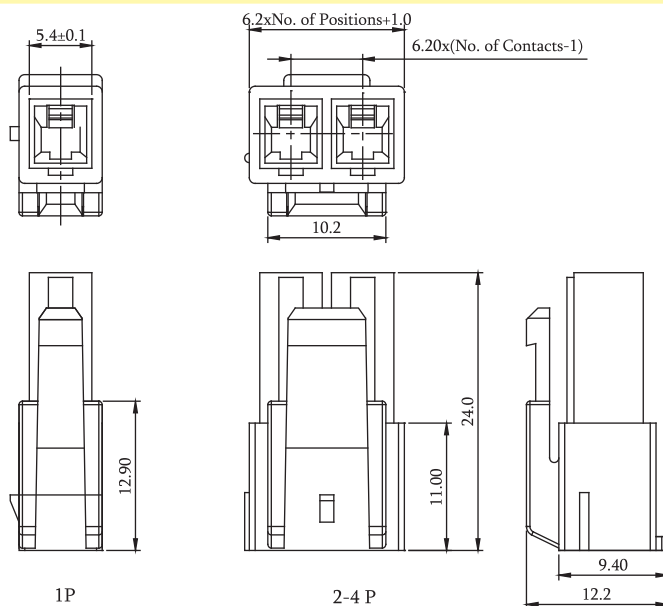
1P

2-4P

P/N.:5H6201F0-1XXWBL00GXX

01: White, UL94V-0

02: Nylon Natural, UL94V-2



1P

2-4 P

P/N.:5H6201M0-1XXRBL00G01



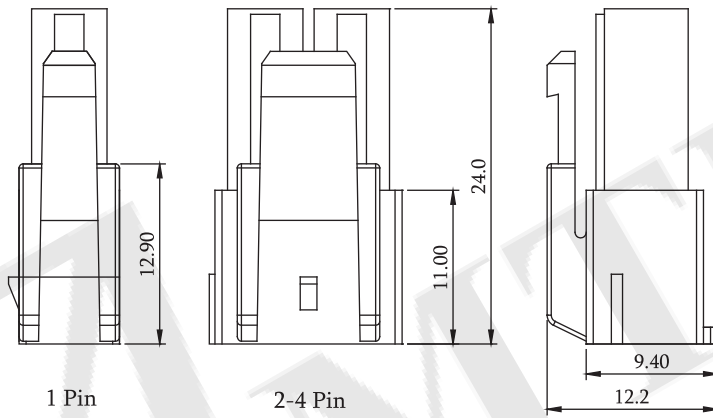
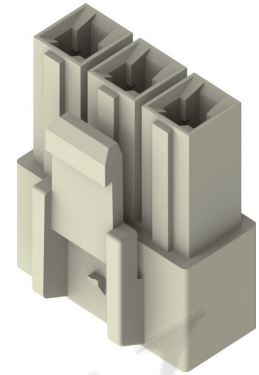
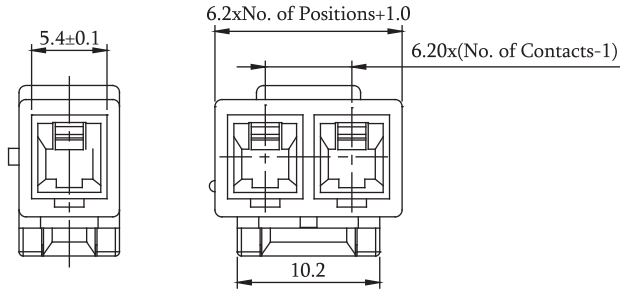
6.2mm 6201 Series Male Housing

Specifications

Operation Temperature: -40°C to +105°
 Insulation Resistance: 100MΩ Min.
 Dielectric Voltage: 2000V AC for one minute

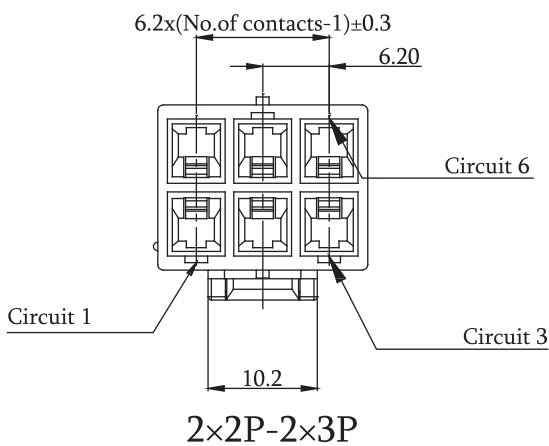
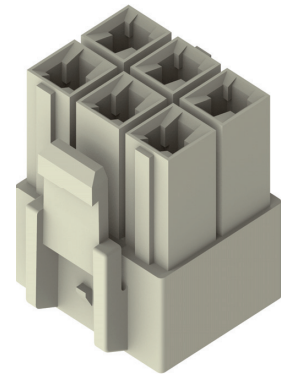
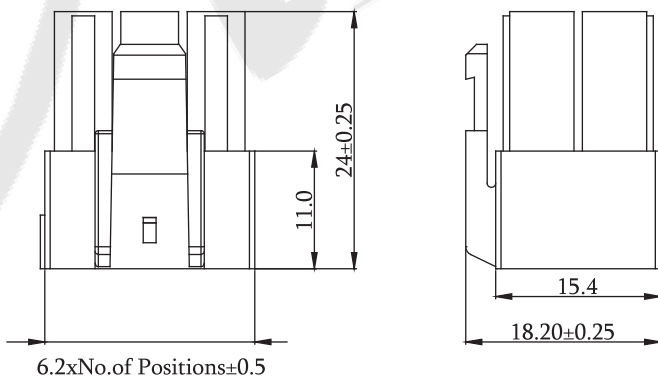
Material

Housing: Nylon 66, UL94V-0

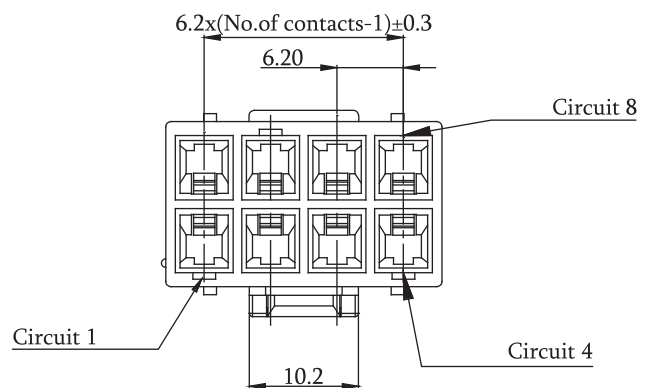


P/N.:5H6201M0-1XXWBL00GXX

01:White, UL94V-0
 02:Nylon Natural, UL94V-2



2×2P-2×3P



2×4P-2×6P

P/N.:5H6201M0-2XXWBL00G01

Housing Wafer Terminal



RoHS

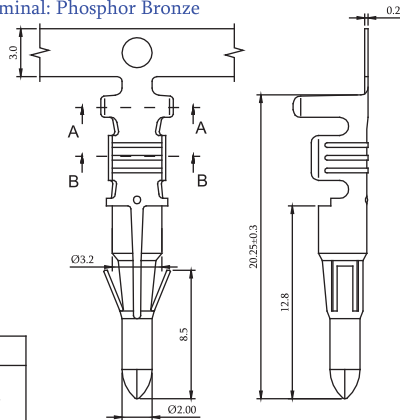
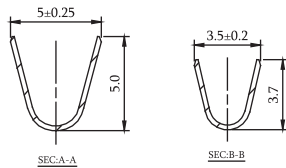
6.2mm 6202 Series Female & Male Terminal / Female & Male Housing

Specifications

Operation Temperature: -25°C to +85°C
 Insulation Resistance: 1000MΩ Min.
 Dielectric Voltage: 1500V AC for one minute

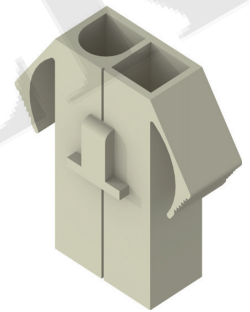
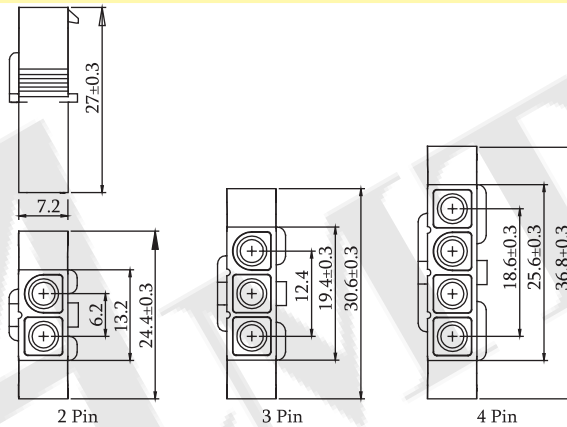
Material

Housing: Nylon 66,UL94V-2
 Terminal: Phosphor Bronze

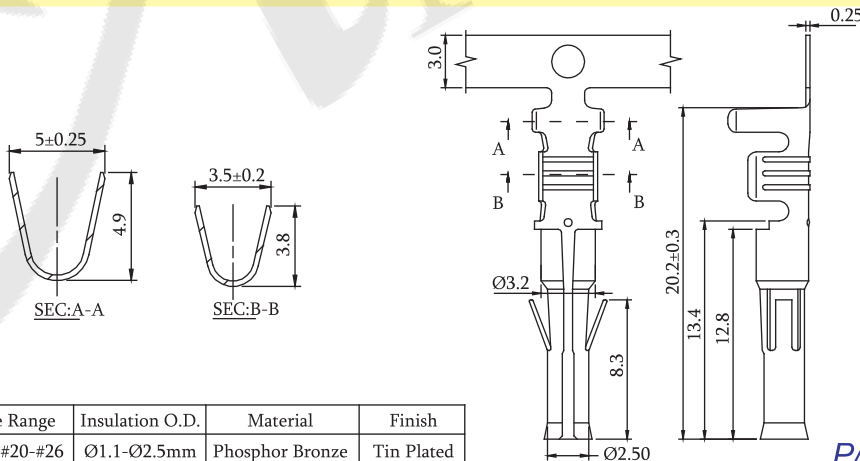


Wire Range	Insulation O.D.	Material	Finish
AWG#26-#20	Ø1.1-Ø2.5mm	Phosphor Bronze	Tin Plated

P/N.:5T6202F-PT0R501

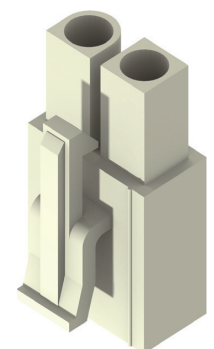
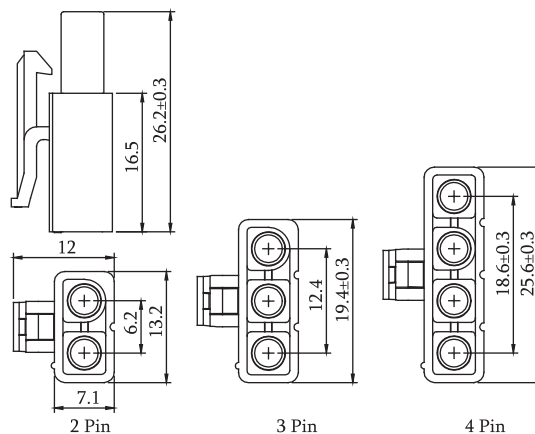


P/N.:5H6202F1-1XXWBL00501



Wire Range	Insulation O.D.	Material	Finish
AWG#20-#26	Ø1.1-Ø2.5mm	Phosphor Bronze	Tin Plated

P/N.:5T6202M-PT0R501



P/N.:5H6202M0-1XXWBL00501



Old P/N.:6350 Series

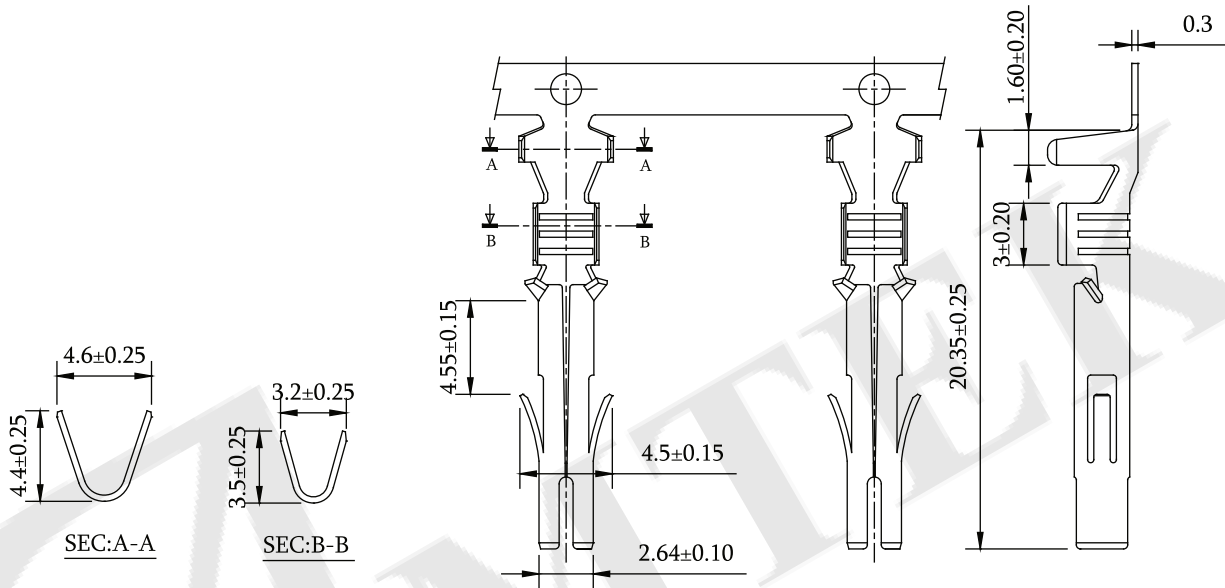
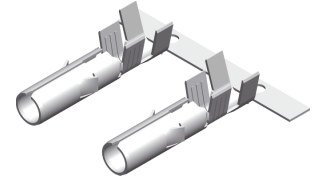
6.35mm 6350 Series Female Terminal / Female Housing

Specifications

Current Rating: 15A AC,DC
 Voltage Rating: 600V AC,DC
 Temperature Range: -25°C to +85°C
 Contact Resistance: 3.5mΩ Max
 Insulation Resistance: 1000MΩ Min
 Withstanding Voltage: 500V AC/minute

Material

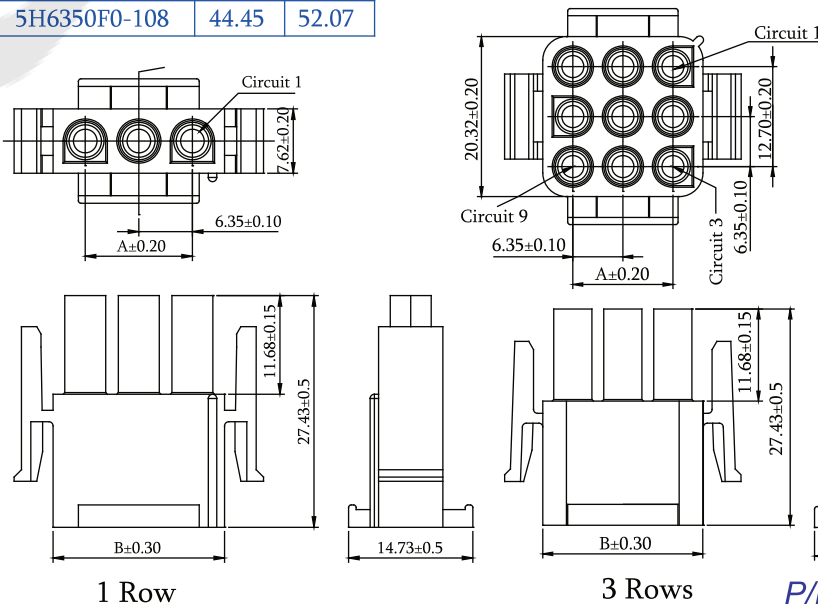
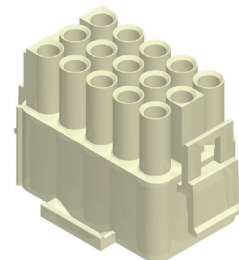
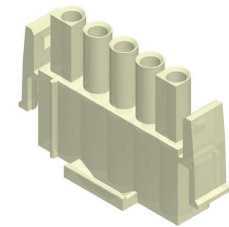
Housing: Nylon 66, UL94-V0 or V2
 Terminal: Brass / Tin Plated



Wire Range	Insulation O.D.	Material	Finish
#14-#20	3.30mm(Max)	Brass	Tin Plated

P/N.:5T6350F-BT0RA01

Part No.	Dimensions		Part No.	Dimensions	
	A	B		A	B
5H6350F0-102	6.35	13.97	5H6350F0-302	6.35	13.97
5H6350F0-103	12.70	20.32	5H6350F0-303	12.70	20.32
5H6350F0-104	19.05	26.67	5H6350F0-304	19.05	26.67
5H6350F0-105	25.40	33.02	5H6350F0-305	25.40	33.02
5H6350F0-106	31.75	39.37			
5H6350F0-108	44.45	52.07			



P/N.:5H6350F0-XXXWBL00A01

1: 1 Row
 3: 3 Rows

Housing Wafer Terminal



RoHS

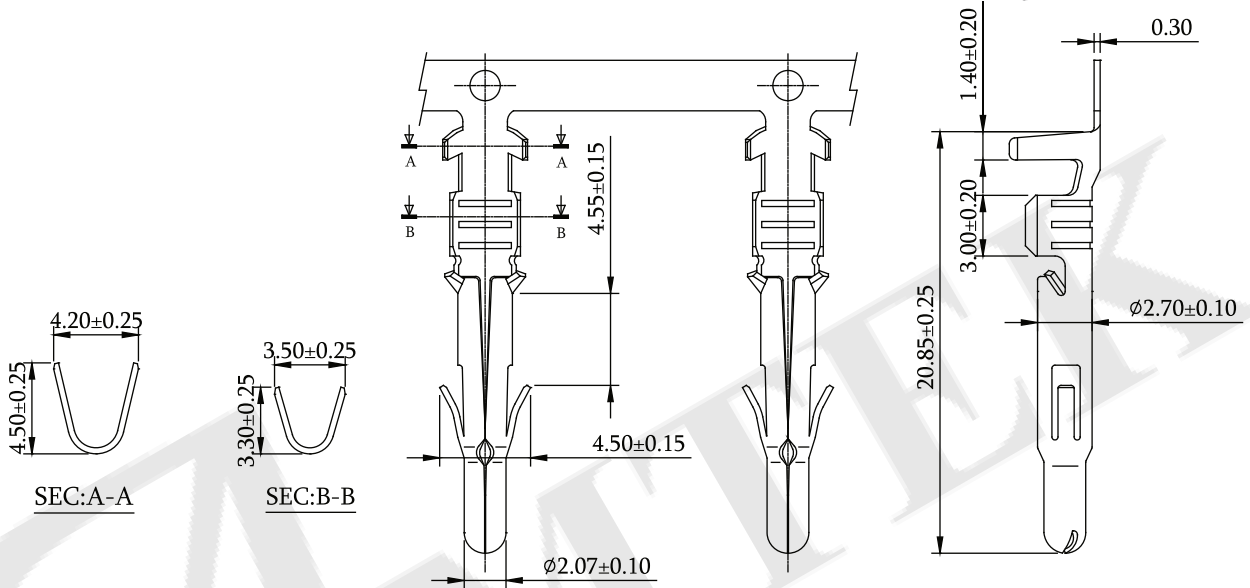
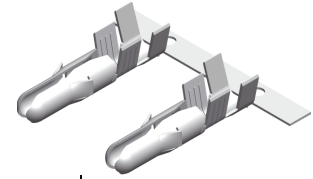
6.35mm 6350 Series Male Terminal / Male Housing

Specifications

Current Rating: 15A AC,DC
 Voltage Rating: 600V AC,DC
 Temperature Range: -25°C to +85°C
 Contact Resistance: 3.5mΩ Max
 Insulation Resistance: 1000MΩ Min
 Withstanding Voltage: 500V AC/minute

Material

Housing: Nylon 66, UL94-V0 or V2
 Terminal: Brass / Tin Plated

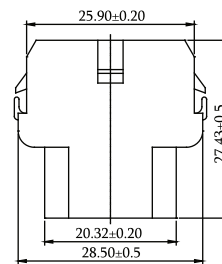
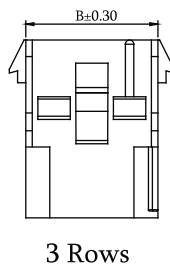
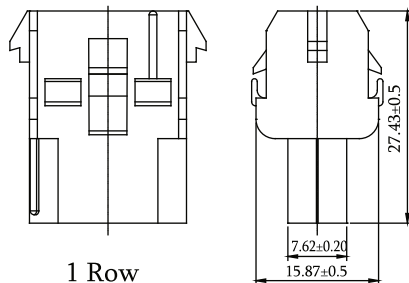
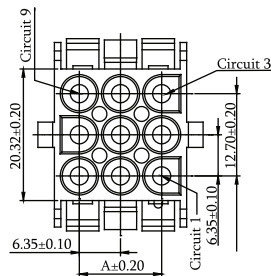
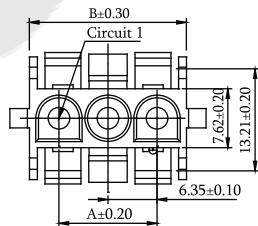
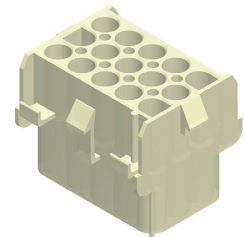
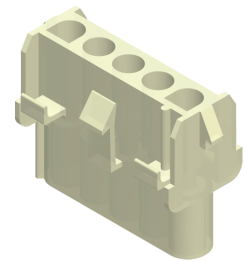


Wire Range	Insulation O.D.	Material	Finish
#14-#20	3.30mm(Max)	Brass	Tin Plated

P/N.:5T6350M-BT0RA01

Part No.	Dimensions	
	A	B
5H6350M0-102	6.35	13.97
5H6350M0-103	12.70	20.32
5H6350M0-104	19.05	26.67
5H6350M0-105	25.40	33.02
5H6350M0-106	31.75	39.37
5H6350M0-108	44.45	52.07

Part No.	Dimensions	
	A	B
5H6350M0-302	6.35	14.05
5H6350M0-303	12.70	20.40
5H6350M0-304	19.05	26.75
5H6350M0-305	25.40	33.10



1 Row

3 Rows

P/N.:5H6350M0-XXXWBL00A01

1: 1 Row
 3: 3 Rows

CONNECTORS MANUFACTURER



Old P/N.:6350 Series

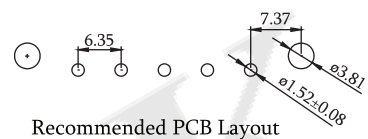
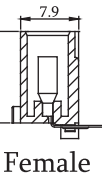
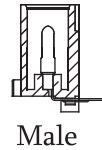
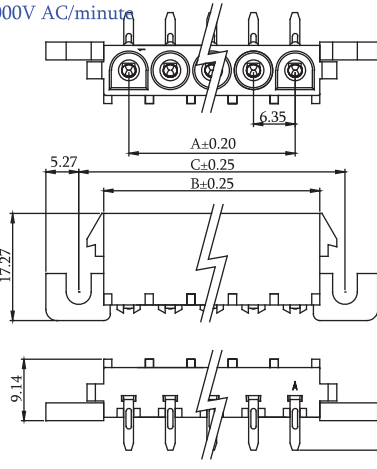
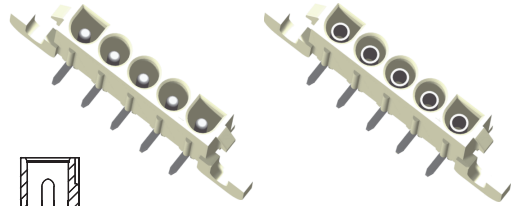
6.35mm 6350 Series Wafer Right Angle / Straight Type

Specifications

Current Rating: 15A AC,DC
 Voltage Rating: 600V AC,DC
 Temperature Range: -25°C to +85°C
 Contact Resistance: 3.5mΩ Max
 Insulation Resistance: 1000MΩ Min
 Withstanding Voltage: 5000V AC/minute

Material

Wafer: Nylon 66, UL94-V0 or V2
 Terminal: Brass / Tin Plated

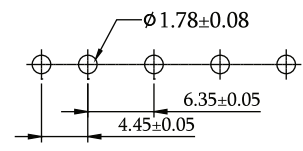
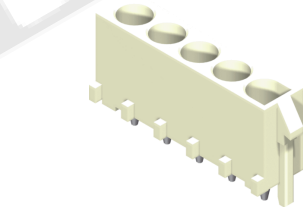
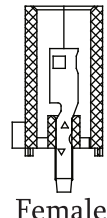
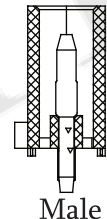
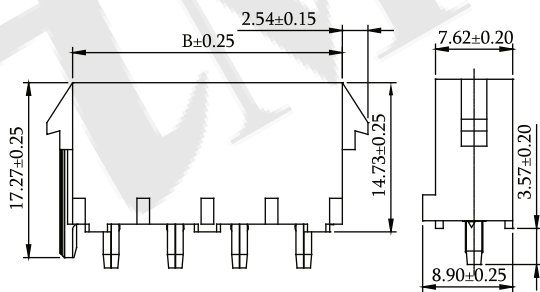
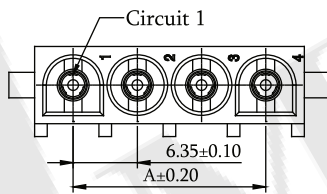


No. of Contacts	Dimensions		
	A	B	C
02	6.35	13.97	21.08
04	19.05	26.67	33.78
06	31.75	39.37	46.48
08	44.45	52.07	59.18
10	57.15	64.77	71.88

Recommended PCB Layout
 (PCB TOLERANCE ±0.05)

P/N.:5W6350RX-1XXT0WALC01

M:Male Type
 F:Female Type

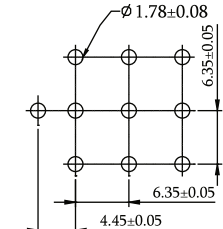
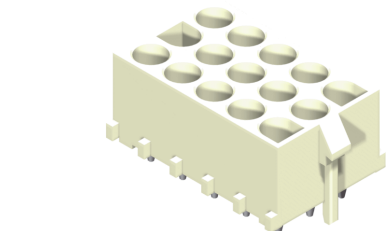
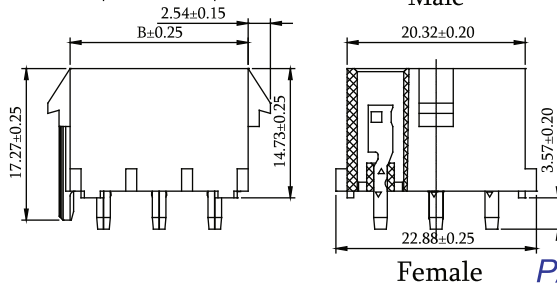
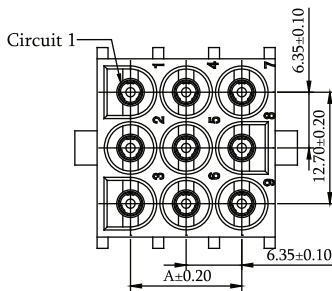


No. of Contacts	Dimensions	
	A	B
02	6.35	13.97
03	12.70	20.32
04	19.05	26.67
06	31.75	39.37
08	44.45	52.07

Recommended PCB Layout
 (PCB TOLERANCE ±0.05)

P/N.:5W6350SX-1XXT0WBLA0X

M:Male Type
 F:Female Type
 1:W/O Ear
 2:With Ear



No. of Contacts	Dimensions	
	A	B
3x02	6.35	13.97
3x03	12.70	20.32
3x04	19.05	26.67
3x05	25.40	33.02

Recommended PCB Layout
 (PCB TOLERANCE ±0.05)

P/N.:5W6350SX-3XXT0WBLA0X

M:Male Type
 F:Female Type
 1:W/O Ear
 2:With Ear

Housing Wafer Terminal



RoHS

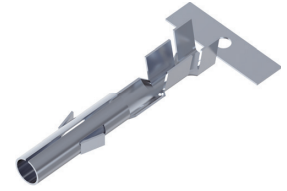
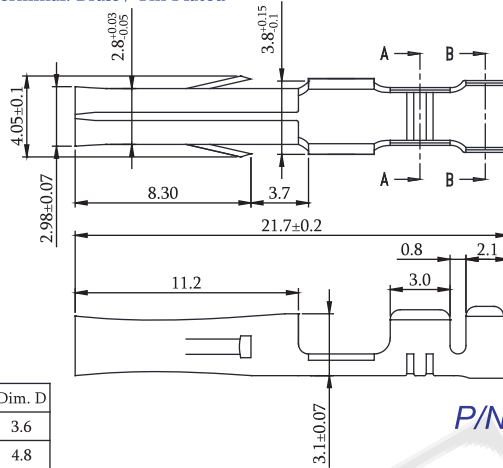
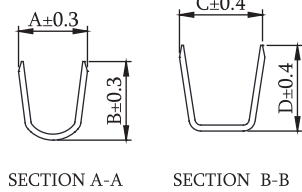
6.7mm 6700 Series Female Terminal / Female Housing

Specifications

Insulation Resistance: 1000MΩ Min.
 Operation Temperature: -40°C to +105°C
 Dielectric Voltage: 1500V AC for one minute

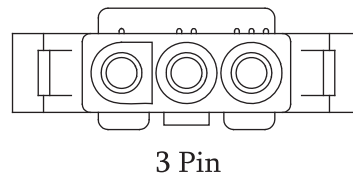
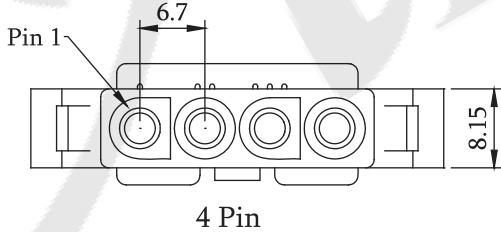
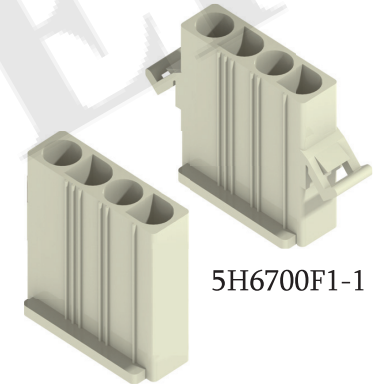
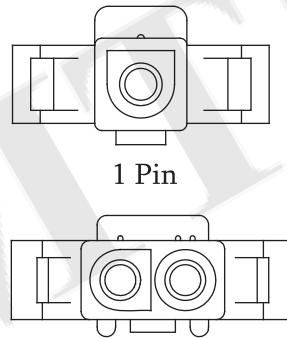
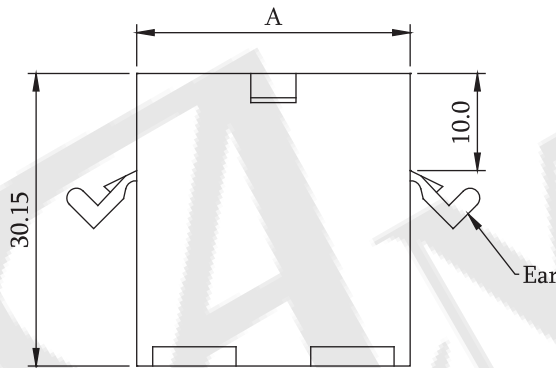
Material

Housing: Nylon 66, UL94V-0
 Terminal: Brass / Tin Plated



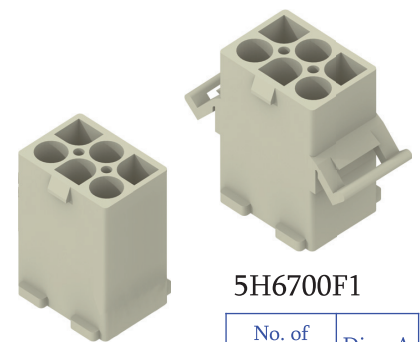
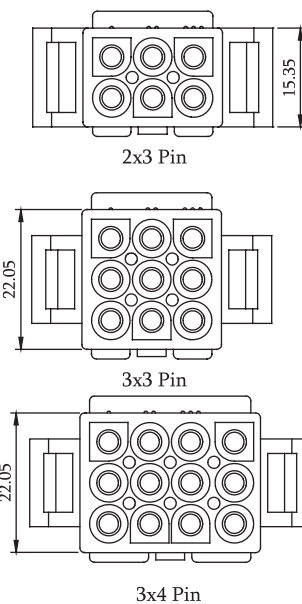
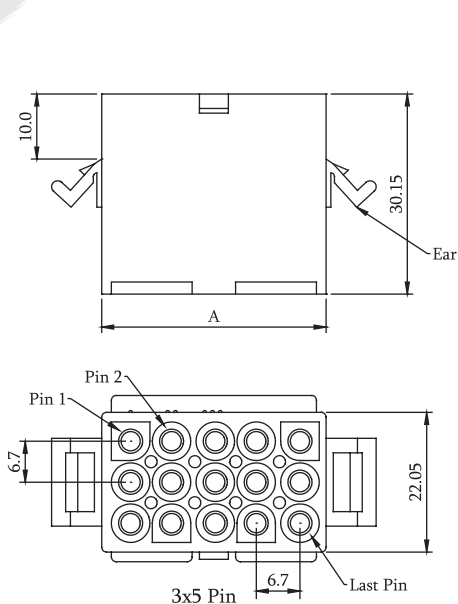
Part Number	Wire Range	Dim. A	Dim. B	Dim. C	Dim. D
5T6700M-BT0R101	AWG#18-#22	2.9	3.3	3.6	3.6
5T6700M-BT0R102	AWG#14-#18	3.0	3.8	4.4	4.8

P/N.: 5T6700F-BT0R10X
 See Table



No. of Contact	Dim. A
1×01	8.15
1×02	14.90
1×03	21.55
1×04	28.20

P/N.: 5H6700FX-1XXWBL00101
 0: W/O Ear 1: With Ear



No. of Contact	Dim. A
3×03	21.50
3×03	21.50
3×04	28.20
3×05	34.90

P/N.: 5H6700FX-XXXWBL00101
 0: W/O Ear 1: With Ear 2~3Row



Housing Wafer Terminal



RoHS

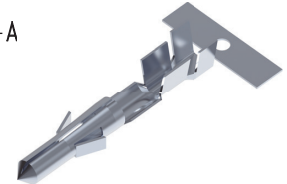
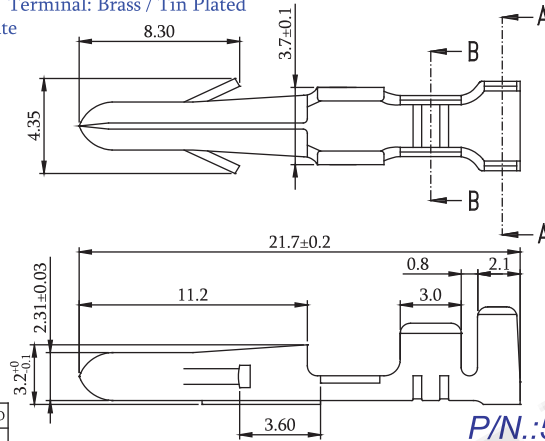
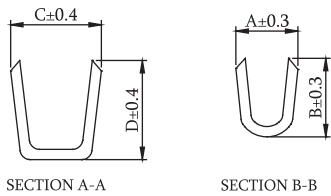
6.7mm 6700 Series Male Terminal / Male Housing

Specifications

Insulation Resistance: 1000MΩ Min.
 Operation Temperature: -40°C to +105°C
 Dielectric Voltage: 1500V AC for one minute

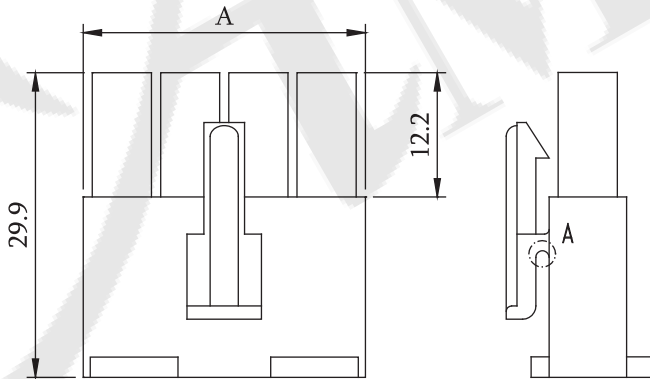
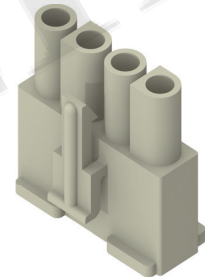
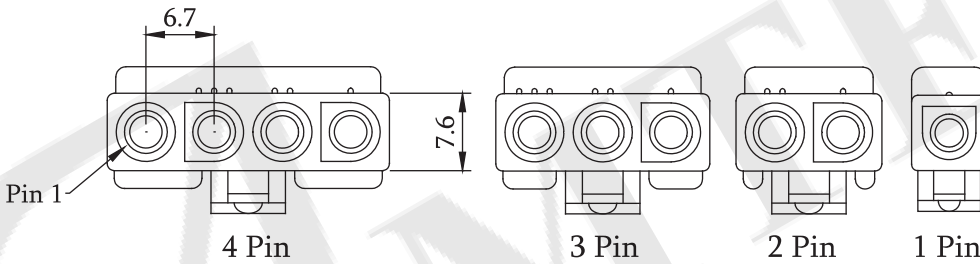
Material

Housing: Nylon 66, UL94V-0
 Terminal: Brass / Tin Plated



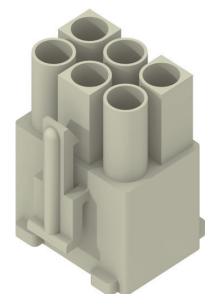
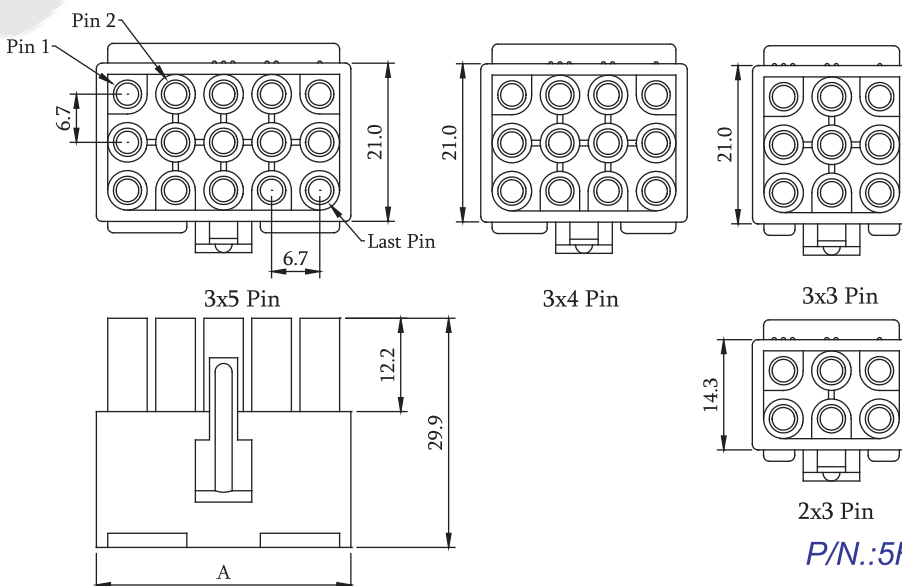
Part Number	Wire Range	Dim. A	Dim. B	Dim. C	Dim. D
5T6700M-BTORI01	AWG#18-#22	2.9	3.3	3.6	3.6
5T6700M-BTORI02	AWG#14-#18	3.0	3.8	4.4	4.8

P/N.:5T6700M-BTORI0X
 See Table



No. of Contact	Dim. A
1×01	7.60
1×02	14.30
1×03	21.00
1×04	27.70

P/N.:5H6700M0-1XXWBL00I01



No. of Contact	Dim. A
2×03	21.00
3×03	21.00
3×04	28.10
3×05	35.00

P/N.:5H6700M0-XXXWBL00I01
 2~3Row

AMTEK CONNECTORS MANUFACTURER

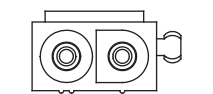
6.7mm 6700 Series Wafer Straight Type 1 & 2 & 3 Row

Specifications

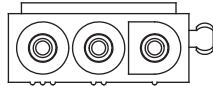
Current Rating: 11A AC,DC
 Voltage Rating: 600V AC,DC
 Temperature Range: -40°C to +105°C
 Dielectric Voltage: 5000V AC for one minute

Material

Wafer: Nylon 66, UL94V-0
 Terminal: Brass / Tin Plated

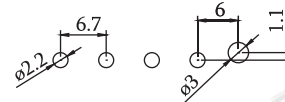
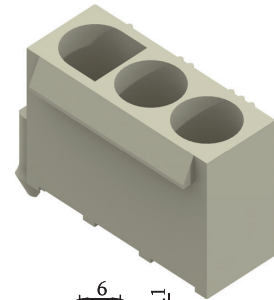
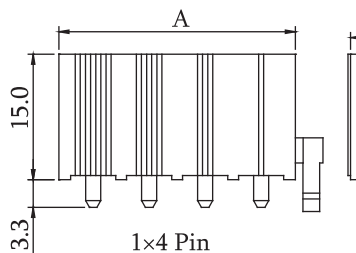
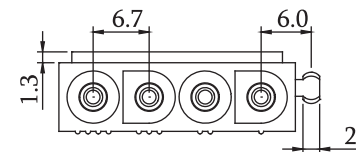


1x2 Pin



1x3 Pin

No. of Contact	Dim. A
1x02	14.9
1x03	21.6
1x04	28.3



Recommended PCB Layout
 (PCB TOLERANCE ±0.05)

P/N.:5W6700S0-1XXT0WB1I01

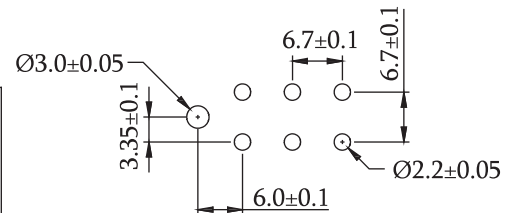
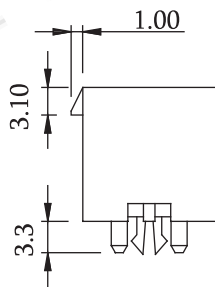
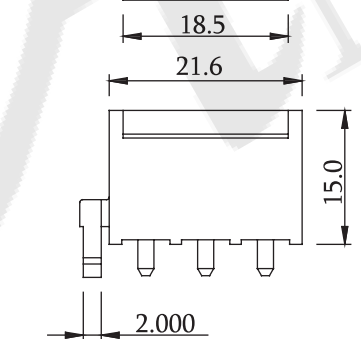
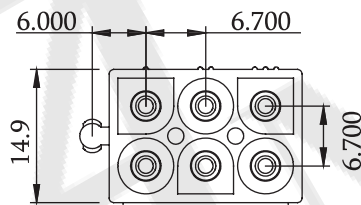
02-04P

Specifications

Current Rating: 9A AC,DC
 Voltage Rating: 600V AC,DC
 Temperature Range: -40°C to +105°C
 Dielectric Voltage: 5000V AC for one minute

Material

Wafer: Nylon 66, UL94V-0
 Terminal: Brass / Tin Plated



Recommended PCB Layout
 (PCB TOLERANCE ±0.05)

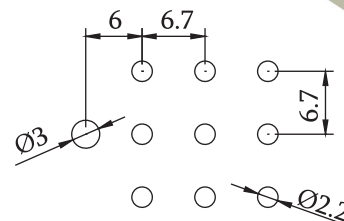
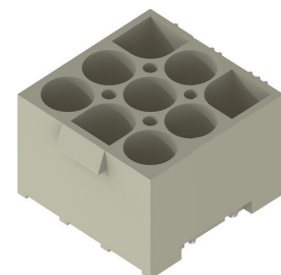
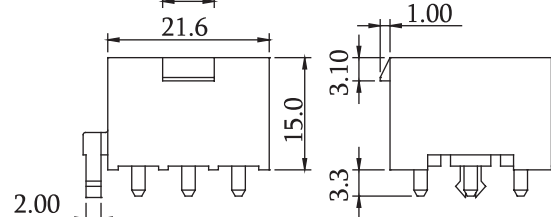
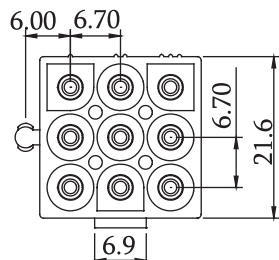
P/N.:5W6700S0-203T0WB1I01

Specifications

Current Rating: 8A AC,DC
 Voltage Rating: 600V AC,DC
 Temperature Range: -40°C to +105°C
 Dielectric Voltage: 5000V AC for one minute

Material

Wafer: Nylon 66, UL94V-0
 Terminal: Brass / Tin Plated



Recommended PCB Layout
 (PCB TOLERANCE ±0.05)

P/N.:5W6700S0-303T0WB1I01



Old P/N.:8380 Series

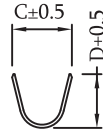
8.38mm 8380 Series Female & Male Terminal / Female & Male Housing

Specifications

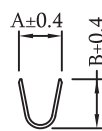
Current Rating: 20A AC,DC
Voltage Rating: 600V AC,DC
Temperature Range: -40°C to +105°C
Contact Resistance: 10mΩ Max
Withstanding Voltage: 1500V AC/minute

Material

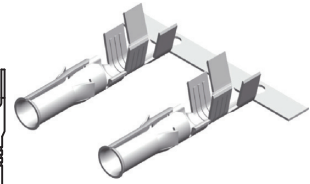
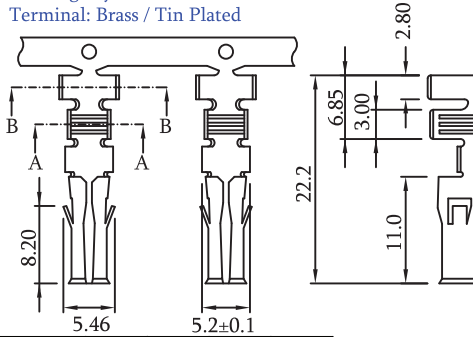
Housing: Nylon 66, UL94V-2
Terminal: Brass / Tin Plated



SEC A-A

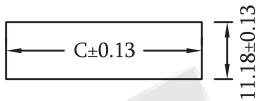


SEC B-B



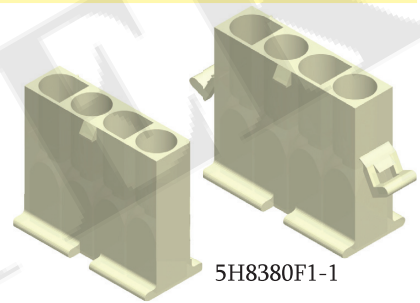
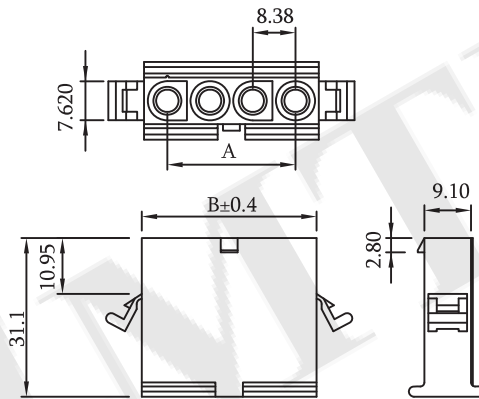
Part No.	Wire Range	Insulation O.D.	Material	Finish	Dim. A	Dim. B	Dim. C	Dim. D
5T8380F-01	#16-#18	3.05mm	Brass	Tin Plated	2.80	3.30	4.90	5.00
5T8380F-02	#16-#18	4.57mm			2.80	3.30	6.50	5.70
5T8380F-03	#10-#14	4.57mm			5.40	5.20	6.50	5.70

P/N.:5T8380F-BT0R101



Recommended Panel Hole Cutout

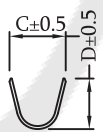
No. of Contacts	Dimensions		
	A	B	C
1	---	9.14	13.23
2	8.38	17.52	21.62
3	16.76	25.90	30.00
4	25.14	34.28	38.38



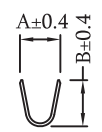
5H8380F0-1

5H8380F1-1

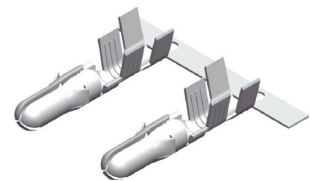
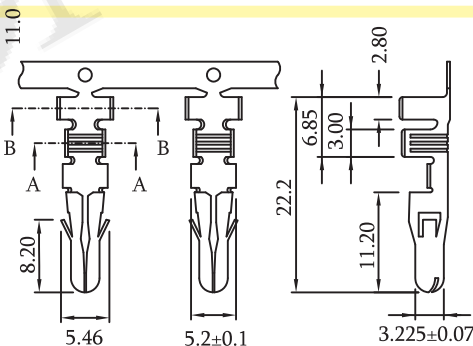
P/N.:5H8380FX-1XXWBL101
0:W/O Ear
1:With Ear



SEC A-A

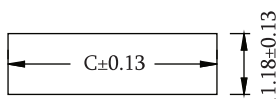


SEC B-B



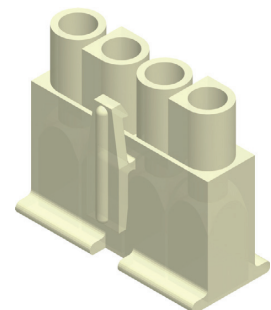
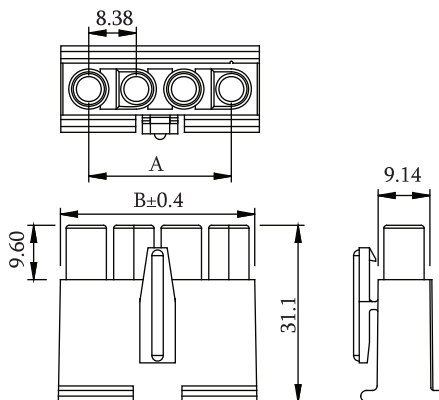
Part No.	Wire Range	Insulation O.D.	Material	Finish	Dim. A	Dim. B	Dim. C	Dim. D
5T8380M-BTOR-01	#16-#18	3.05mm	Brass	Tin Plated	2.80	3.30	4.90	5.00
5T8380M-BTOR-02	#16-#18	4.57mm			2.80	3.30	6.50	5.70
5T8380M-BTOR-03	#10-#14	4.57mm			5.40	5.20	6.50	5.70

P/N.:5T8380M-BT0R101



Recommended Panel Hole Cutout

No. of Contacts	Dimensions		
	A	B	C
1	---	9.14	13.23
2	8.38	17.52	21.62
3	16.76	25.90	30.00
4	25.14	34.28	38.38



P/N.:5H8380M0-1XXWBL00101

Housing Wafer Terminal



RoHS

CONNECTORS MANUFACTURER