

ASLAN-917R

Fanless 17" Industrial Panel PC with Intel® Core i5-6300U 2.4GHz Processor



Features

- 17" LCD Display w/ LED Backlight
- Flat panel with Resistive touchscreen
- Front panel compliant with IP65
- Easy Maintenance Design for HDD/SSD
- Mini PCIe expansion slot support
- Fanless cooling system
- Cable-less Design
- Low power consumption
- 2 x SMA Antenna Holes for optional WiFi Function

System

CPU	Intel® Core i5-6300U™ Processor 2.4GHz
Memory	4GB DDR4 SO-DIMM pre-installed 1 x 260-pin DDR4 SO-DIMM socket, supporting 2133MHz SDRAM up to 16GB
LAN Chipset	1 x Intel® i219LM PCIe controller w/ iAMT 1 x Intel® i210IT PCIe controller
Watchdog Timer	1~255 levels reset

Storage

Device	2 x 2.5" drive bay (default), 1 x mSATA
--------	--

Audio

Device	Line Out / Mic In (Optional)
--------	------------------------------

LCD Display

Size/Type	17" TFT LCD Panel
Max. Resolution	1280 x 1024, SXGA
Max. Colors	16.2M
Luminance	350 cd/m ²
Touch Screen	True flat resistive touch panel
View Angle (U/D/R/L)	85°/85°/80°/80°

Power System

Power Input	9~36VDC
Power Consumption	Max. 29.0W (w/o I/O cards)

Qualification

Certification	CE, FCC Class A
---------------	-----------------

Expansion

Expansion Bus	1 x mSATA (SATA, Full Size) 1 x mPCIe (PCIex1+USB2.0, Full Size) 1 x mPCIe (PCIex1+USB2.0, Half Size)
---------------	---

External I/O

Serial Ports	4 x RS-232/422/485
USB Ports	4 x Type-A USB 3.0/2.0 ports
LAN	2 x RJ-45 GbE ports
Video	1 x VGA / 1 x HDMI
DIO	4IN / 4OUT Digital I/O (optional)

Mechanical

Mounting Type	Panel Mounting and VESA-100 Mounting
Chassis	Panel-mounting chassis, aluminum front bezel and SGCC steel chassis
Dimension (W x H x D)	420 x 358 x 62.2 mm (16.54" x 14.09" x 2.45")
Weight (Net)	6.5 kg (14.3 lb)

Environmental

Operating Temp.	-20°C ~ 55°C (-4°F ~ 131°F)
Storage Temp.	-30°C ~ 70°C (-22°F ~ 158°F)
Operating Humidity	10 ~ 95% RH @ 55°C (non-condensing)
Vibration	5 ~ 500Hz, 1Grms Random (w/ SSD)
Shock	Operating 10G, 11ms Non-operating 30G, 11ms (w/ SSD)

OS Support

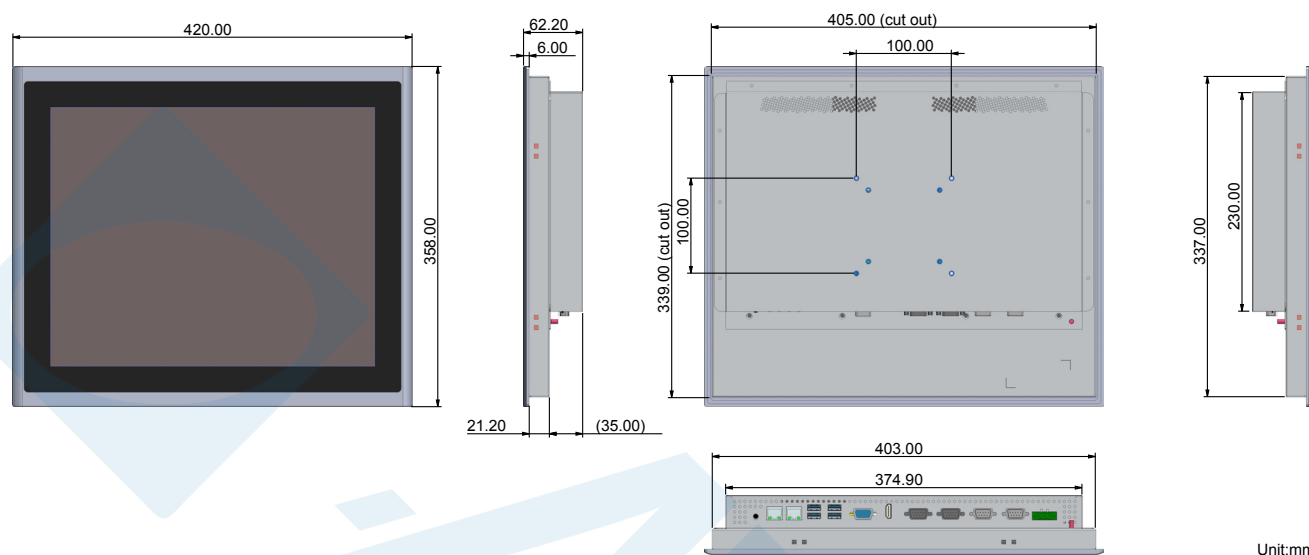
Windows 7 / Windows 8.1 / Windows 10 / Linux: Ubuntu

Ordering Information





ASLAN -917R	17" Intel® Core i5-6300U 2.4GHz Processor industrial panel PC with 4GB Memory
-------------	---



Dimensions



Optional Accessories

PAC-60W6A-FSP-ES	12V/5A 60W AC/DC power adapter kit	
64/128/256GB SSD	2.5" SSD MLC 64/128/256GB	
WiFi-AT4550	Atheros QCNFA324 Wi-Fi module w/ 2*30cm internal wiring	
ANT-D11	1 x Wi-Fi Dual-band 2.4G/5G antenna	
SCK-722C	Assembly kit for SiP-41B/42B	