

Features

- 12.1" Industrial Compact Size Panel PC
- 8th Gen. Intel Core i3/i5, CPU built-in
- 1 x 260Pin SO-DIMM DDR4 slot, up to 32GB 2400MHz
- Flat Front Panel Touch Screen with IP66 front bezel
- Fanless Design
- DC 9~36V Wide-Ranging Power Input
- Support expansion via Full-size Mini PCIe and M.2 slots
- Support TPM2.0 hardware security
- High Brightness 1,000 nits for option

Specifications

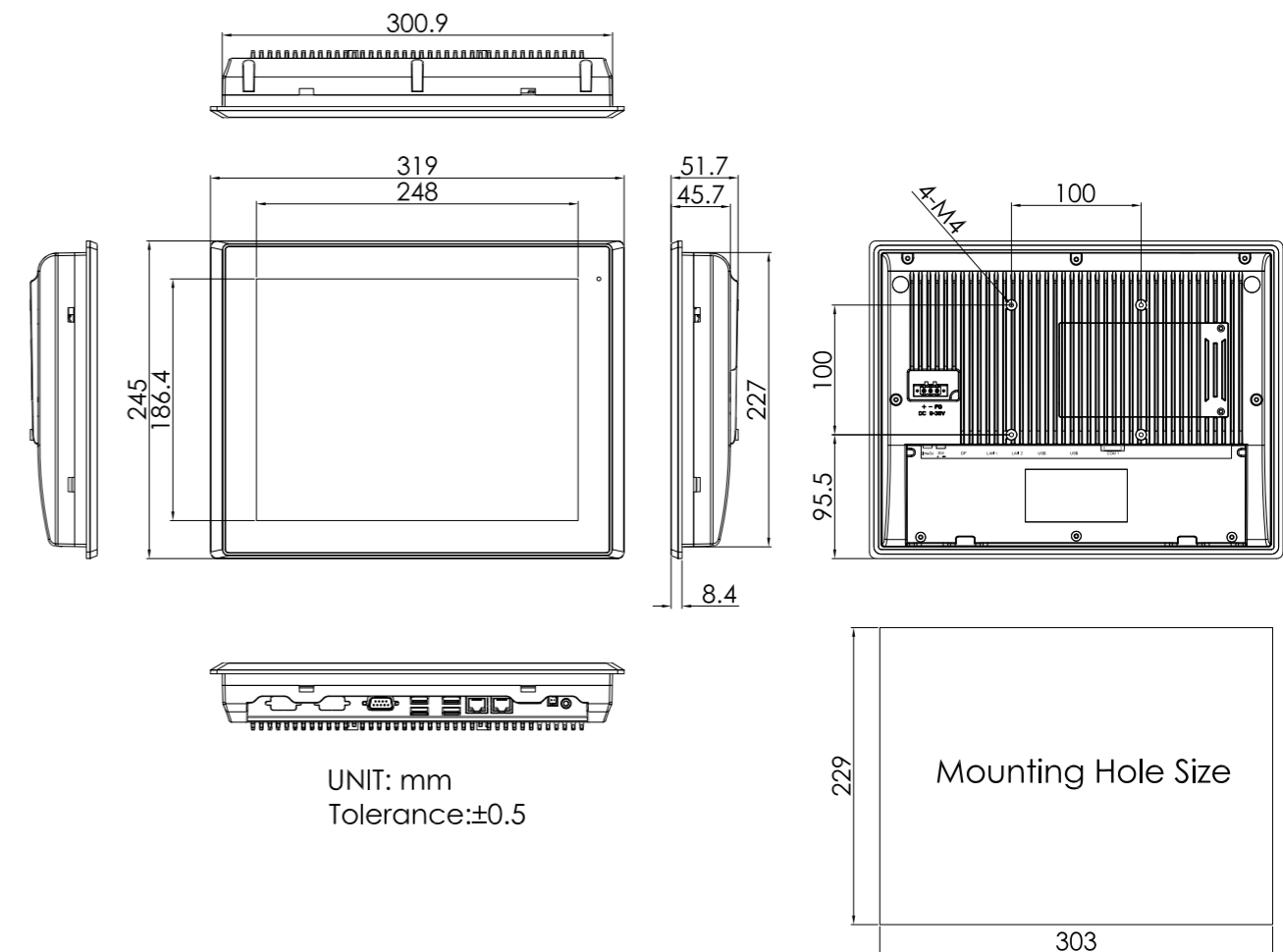
System	
CPU	8th Gen. Intel Core i3/i5 Processors Core i5-8365UE (4C/8T, 1.6GHz, 15W TDP) Core i3-8145UE (2C/4T, 2.2GHz, 15W TDP)
System Chipset	SoC
Memory	1 x DDR4 SO-DIMM Slot, Up to 32 GB DDR4 2400MHz
I/O Port	
USB	4 x USB 3.0 type A
Serial	1 x DB-9 connector, including: * 1 x RS-232(RTS, Rx, Tx, CTS), pin1 RTS/5V/12V selectable via jumper (COM1), default * 1 x RS-232(Tx, Rx)/422/485(COM2), optional
Audio	1 x Audio Line Out
DP	1 x DP Port
LAN	2 x GbE LAN RJ-45
Power	1 x 3-pin DC Power input terminal 1 x 2-pin connectors for power on/off button
Option	COM port Y cable (for 1 x RS-232(Tx, Rx)/422/485(COM2)) VESA Stand 4G LTE WiFi 4/5/6+ BT 4 x USB 2.0 type A (TB-528U4) 4 x USB 2.0 type A + 1 x Mini-PCIe + 1 x SIM slot (TB-528U4ME1) 2 x COM (RS-232) (TB-528C2) 1 x COM (RS-232) + 2 x USB 2.0 (TB-528C1U2) 1 x COM (RS-232) + 2 x USB 2.0 + 1 x Mini-PCIe + 1 x Power Button (TB-528C1U2P1) 2 x COM (RS-232) + 1 x Mini-PCIe slot + 1 x SIM slot (TB-528C2ME1) 2 x COM (RS-422/485, isolated) (TB-528C2I) 2 x CAN (TB-528CAN2) 1 x LAN + 2 x USB 2.0 type A (TB-528E1U2) 1 x LAN + 2 x USB 2.0 type A /45WPoE (TB528E1U2UPOE)* Backup Battery 21Wh/10.8Wh/1.95Ah(3S1P) (TB-528 Series or backup battery only be inserted in either one)

Storage Space	
Storage	1 x M.2 M Key slot; (Support PCIe/SATA 2242/2280, Default 2242)

Expansion	
Expansion Slot	1 x Internal Mini-PCIe slot full size 1 x Nano SIM card holder

Display	Standard	High Brightness Optional
Display Type	12.1" TFT-LCD	12.1" TFT-LCD
Max. Resolution	800 x 600 1024 x 768	800 x 600 1024 x 768
Max. Color	16.2M	16.2M
Luminance (cd/m ²)	450/500	1000
View Angle	178(H)/178(V)	178(H)/178(V)
Contrast	1500:1/1000:1	700:1
Backlight Lifetime	50,000 hrs (SVGA) 30,000 hrs (XGA)	50,000 hrs (SVGA) 70,000 hrs (XGA)

Dimensions



Touch Screen	
Type	Resistive Touch (for BR Model) Projected Capacitive Touch (for BP Model)
Interface	USB
Light Transmission(%)	Resistive Touch: 80% Projected Capacitive Touch: 90%
Power	
Power Input	DC 9~36V
Power Consumption	56W (MAX)
Mechanical	
Color	RAL 9007
Construction	Aluminum die-casting chassis
Mounting	Panel Mount, VESA 100 x 100
Dimensions (WxHxD)	319 x 245 x 51.7 mm
IP Rating	Front Panel IP66
Net Weight	2.8 kg
Environmental	
Operating Temperature	0~50°C / -20~60°C (option)
Storage Temperature	-30~70°C
Humidity	10 to 95%@ 40°C, non-condensing
Certificate	CE / FCC, Class A
Operating System Support	
Win10 IoT	

*PoE limitation: CPU turbo off, rear I/O no loading, 70% LED backlight, PSE cable length < 50m