

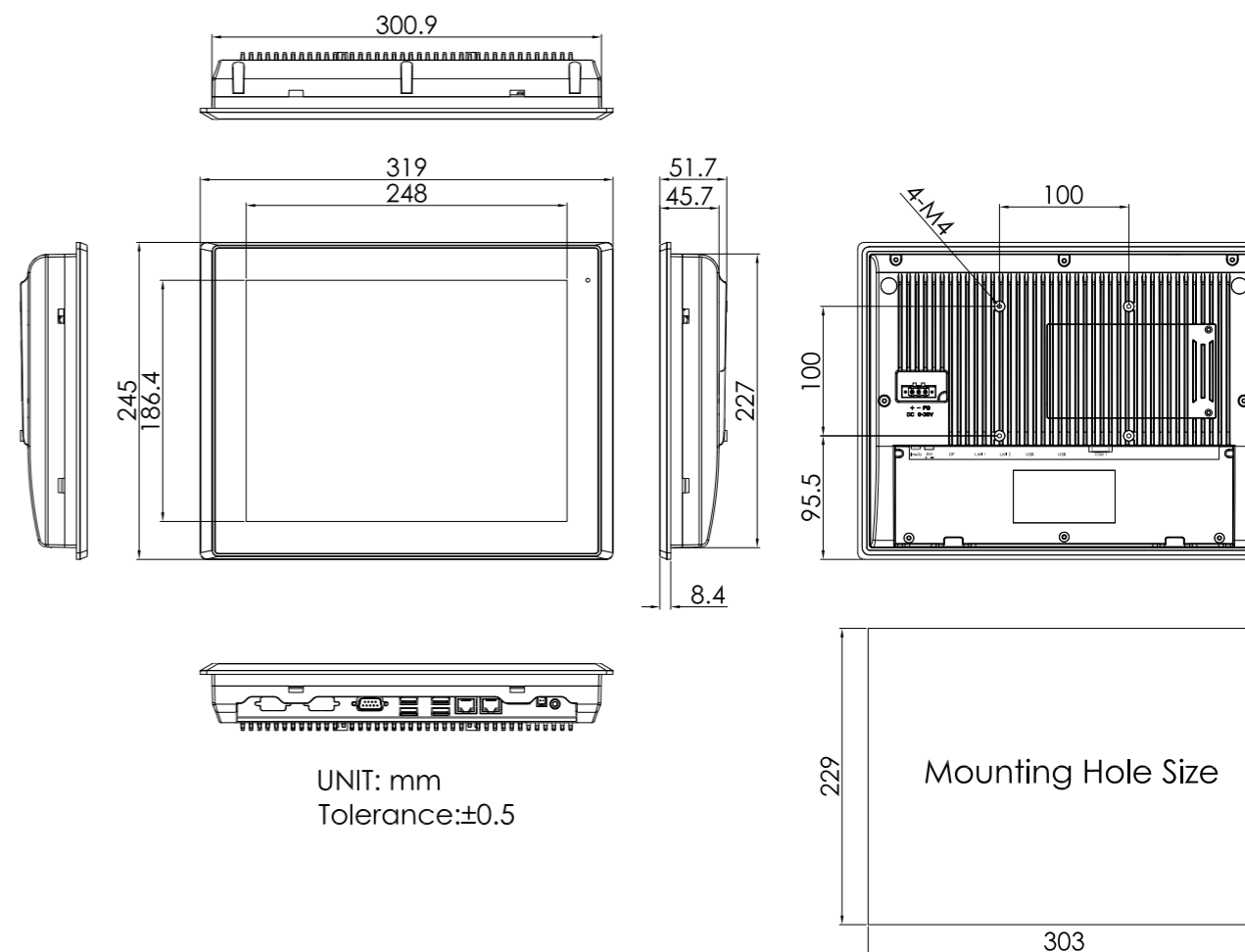
Features

- 12.1" Industrial Compact Size Panel PC
- 8th Gen. Intel Core i3/i5, CPU built-in
- 1 x 260Pin SO-DIMM DDR4 slot, up to 32GB 2400MHz
- Flat Front Panel Touch Screen with IP66 front bezel
- Fanless Design
- DC 9~36V Wide-Ranging Power Input
- Support expansion via Full-size Mini PCIe and M.2 slots
- Support TPM2.0 hardware security
- High Brightness 1,000 nits for option

Specifications

| System | | |
|--------------------------------|---|---|
| CPU | 8th Gen. Intel Core i3/i5 Processors Core i5-8365UE (4C/8T,1.6GHz,15W TDP) Core i3-8145UE (2C/4T,2.2GHz,15W TDP) | |
| System Chipset | SoC | |
| Memory | 1 x DDR4 SO-DIMM Slot, Up to 32 GB DDR4 2400MHz | |
| I/O Port | | |
| USB | 4 x USB 3.0 type A | |
| Serial | 1 x DB-9 connector, including: * 1 x RS-232(RTS, Rx, Tx, CTS), pin1 RTS/5V/12V selectable via jumper (COM1), default * 1 x RS-232(Tx, Rx)/422/485(COM2), optional | |
| Audio | 1 x Audio Line Out | |
| LAN | 2 x GbE LAN RJ-45 | |
| Power | 1 x 3-pin DC Power input terminal 1 x 2-pin connectors for power on/off button | |
| Option | COM port Y cable (for 1 x RS-232(Tx, Rx)/422/485(COM2)) VESA Stand 4G LTE WiFi 4/5/6+ BT 4 x USB 2.0 type A (TB-528U4) 4 x USB 2.0 type A + 1 x Mini-PCIe + 1 x SIM slot (TB-528U4ME1) 2 x COM (RS-232) (TB-528C2) 1 x COM (RS-232) + 2 x USB 2.0 (TB-528C1U2) 1 x COM (RS-232) + 2 x USB 2.0 + 1 x Mini-PCIe + 1 x Power Button (TB-528C1U2P1) 2 x COM (RS-232) + 1 x Mini-PCIe slot + 1 x SIM slot (TB-528C2ME1) 2 x COM (RS-422/485, isolated) (TB-528C2I) 2 x CAN (TB-528CAN2) 1 x LAN + 2 x USB 2.0 type A (TB-528E1U2) 1 x LAN + 2 x USB 2.0 type A /45WPoE (TB528E1U2UPOE)* Backup Battery 21W/10.8Wh/1.95Ah(3S1P) (TB-528 Series or backup battery only be inserted in either one) | |
| Storage Space | | |
| Storage | 1 x M.2 M Key slot; (Support PCIe/SATA 2242/2280, Default 2242) | |
| Expansion | | |
| Expansion Slot | 1 x Internal Mini-PCIe slot full size 1 x M.2 2230 E key socket for optional Wi-Fi 5/ Wi-Fi 6 module 1 x Nano SIM card holder | |
| Display | Standard | High Brightness Optional |
| Display Type | 12.1" TFT-LCD | 12.1" TFT-LCD |
| Max. Resolution | 800 x 600 1024 x 768 | 800 x 600 1024 x 768 |
| Max. Color | 262K/16.2M | 16.2M / 262K |
| Luminance (cd/m ²) | 450/500 | 1000 |
| View Angle | 178(H)/178(V) (SVGA) 178(H)/178(V) (XGA) | 178(H)/178(V) (SVGA) 160(H)/140(V) (XGA) |
| Contrast | 1500:1/1000:1 | 700:1 |
| Backlight Lifetime | 50,000 hrs (SVGA) 30,000 hrs (XGA) | 50,000 hrs (SVGA) 50,000 hrs (XGA) |

Dimensions



UNIT: mm
Tolerance:±0.5

| Touch Screen | |
|--------------------------|---|
| Type | Resistive Touch (for BR Model) Projected Capacitive Touch (for BP Model) |
| Interface | USB |
| Light Transmission(%) | Resistive Touch: 80% Projected Capacitive Touch: 90% |
| Power | |
| Power Input | DC 9~36V |
| Power Consumption | TBD |
| Mechanical | |
| Color | RAL 9007 |
| Construction | Aluminum die-casting chassis |
| Mounting | Panel Mount, VESA 100 x 100 |
| Dimensions (WxHxD) | 319 x 245 x 51.7 mm |
| IP Rating | Front Panel IP66 |
| Net Weight | TBD |
| Environmental | |
| Operating Temperature | 0~50°C / -20~60°C (option) |
| Storage Temperature | -30~70°C |
| Humidity | 10 to 95%@ 40°C, non-condensing |
| Certificate | CE / FCC, Class A |
| Operating System Support | |
| Win10 IoT, Win11 IoT | |

*PoE limitation: CPU turbo off, rear I/O no loading, 70% LED backlight, PSE cable length < 50m