



## Features

- Rugged engineering plastics enclosure and fanless design
- High brightness LED backlight LCD
- Intel® Atom™ Processor E3845
- 4G DDR3L memory on board
- Wide range 6~36V DC power input
- Total 6 sides IP66
- Resistive Touch, Projected Capacitive Touch screen is for option
- Front function keyboard (programmable F1~F6) with power button

## Specifications

### System

CPU	Intel® Atom™ Processor E3845(2M Cache, 1.91GHz)
Memory	Onboard 4GB DDR3L Memory
Function Keypad	7 keys (F1~F6 with Power Button) Default General Keyboard F1~F6 key, Programmable other define
Speaker	1 x 2W IP65 Speaker

### I/O Port

Standard I/O	<b>IP66 I/O connector:</b> 1 x M12 for 2 x USB 2.0 1 x M12 for LAN 1 x M12 for RS-232/422/485, default RS-232 1 x DC power input (6~36V) by M12 connector 1 x SMA connector for option GPS antenna 1 x Power LED front touch panel (Green)
--------------	--

### Expansion

Expansion Slot	1 x Mini-PCIe full size for option 3G/LTE/GPS 1 x Mini-PCIe half size slot for option WIFI/BT 1 x SIM slot on board
----------------	---

### Storage Space

Storage	1 x Micro SD on board 1 x mSATA MO-300 slot
---------	--

### LCD

Display Type	7" color TFT LCD
Max. Resolution	800 x 480
Max. Color	262K
Contrast Ratio	400:1
Luminance (cd/m <sup>2</sup> )	600 (option 1000nits)
View Angle	140(H) / 130(V)
Backlight Lifetime	50,000 hrs

### Touch Screen – Resistive Touch Window Type (Option)

Interface	USB
Light transmission (%)	Over 80%

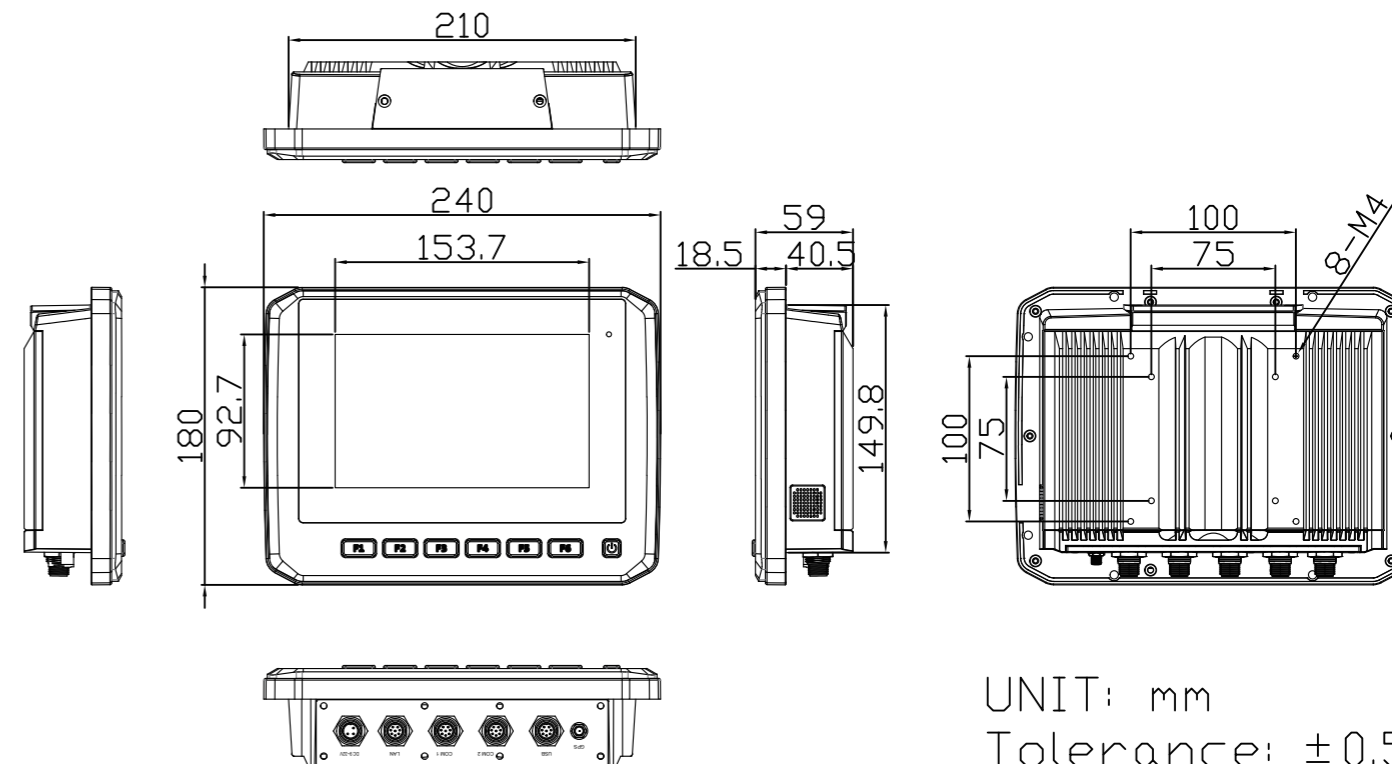
### Touch Screen – Projected Capacitive Touch Screen (Default)

Interface	USB
Light transmission (%)	Over 90%

### Power

Power input	6~36V DC (Default)
Optional Power	6~36V DC + Ignition / VCC Power
Power Consumption	MAX: 15W

## Dimensions



UNIT: mm  
Tolerance: ±0.5

### Mechanical

Construction	Aluminum front bezel and plastic back cover with Alu. Heatsink.
Mounting	Support VESA Mount 75 x 75/100 x 100/ Adjustable Stand (option)
IP Rating	Total IP66
Dimension	240 x 180 x 59 mm
Net Weight	2.1 Kg

### Environmental

Operating temperature(°C)	0~50°C WT1: -20°C~60°C for option
Storage temperature(°C)	-30~80°C
Storage humidity	10 to 90% @ 40°C, non- condensing
Certificate	CE / FCC Class A / MIL810F / IEC60068-2-27 for vibration / Shock

### Operating System Support

Windows 7 Professional for Embedded Systems  
Windows 7 Ultimate for Embedded Systems  
Windows Embedded 8.1 Pro  
Windows Embedded 8.1 Industry Pro  
Windows 10 IOT 2016

### Ordering Information

APC-3072T-01	7" WVGA total IP66 design aluminum panel PC, Intel Atom Processor E3845, DDR3L 4G on board, 8G SLC mSATA, with projected capacitive touch, 6~36V DC power input with adapter, aluminum front bezel and plastic back cover with Alu. Heatsink.
--------------	---