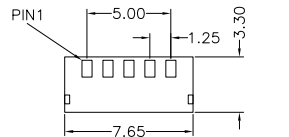
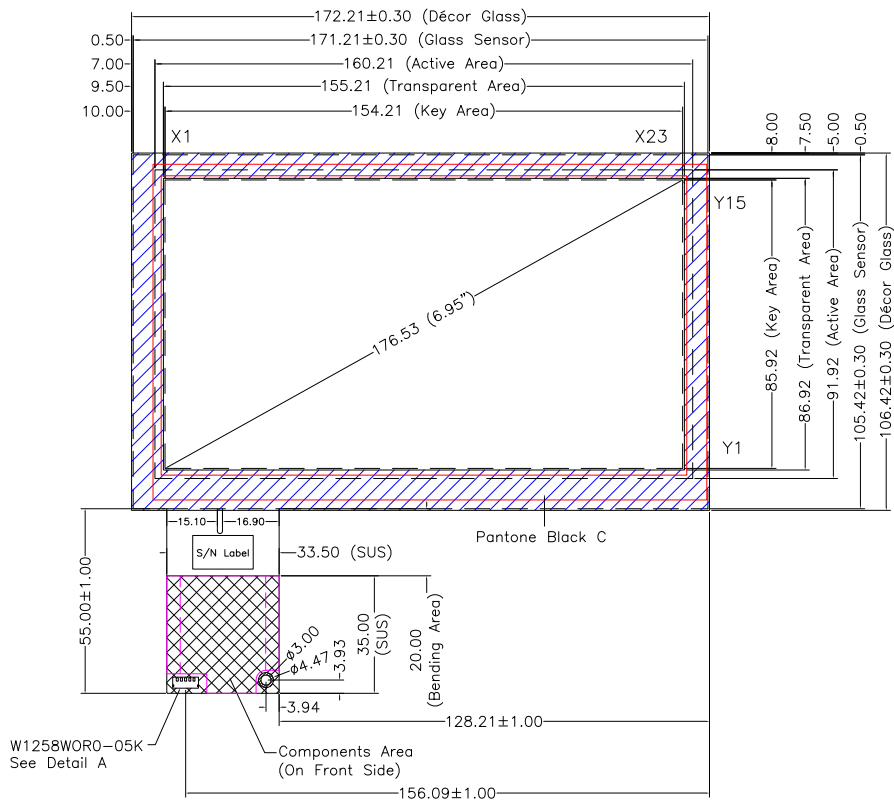
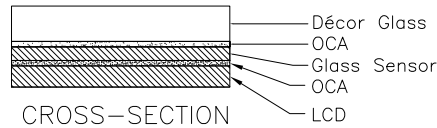
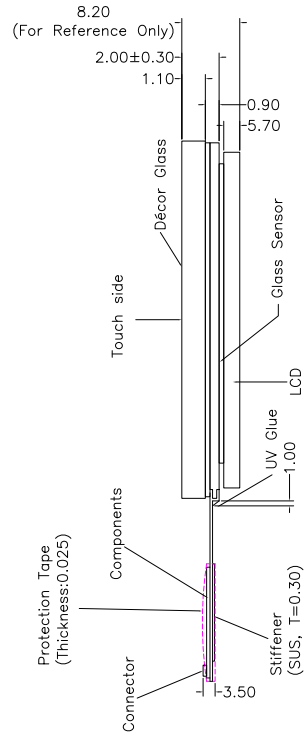


Touch Side View

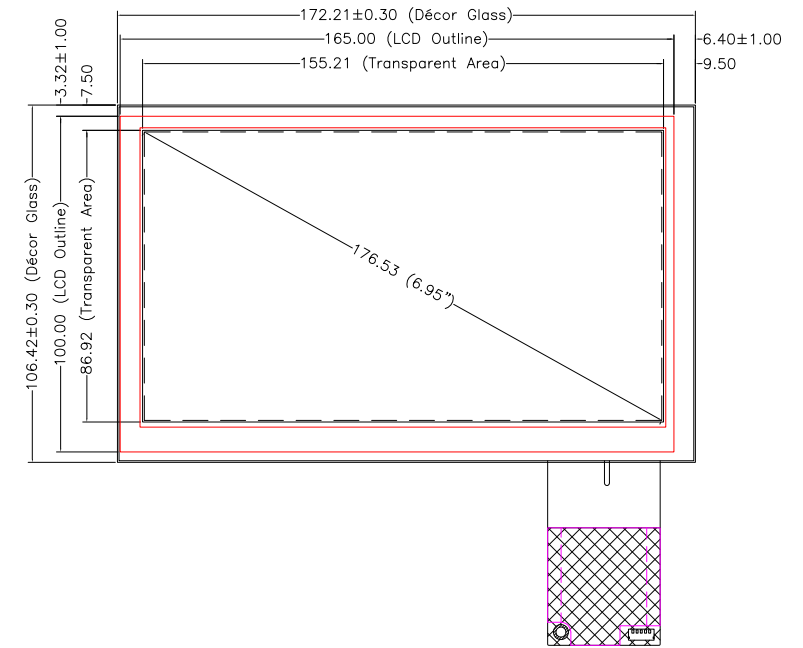


Interface : USB	
PIN#	DESIGNATION
1	VCC
2	D-
3	D+
4	GND
5	SW

DETAIL A



Rear Side View



- NOTES:
- OVERALL THICKNESS : 8.20mm (FOR REFERENCE ONLY)
  - LCD : 26-01070-009
  - TOUCH PANEL : 9G-P1014-PB0-001
  - PROCESS : DRY BONDING



NO.	DATE	DESCRIPTION	CHK	TOLERANCES UNLESS SPECIFIED		DWG NO :
REVISION				.X	± 0.50	AD-96-P1014-PB0-001-01
CHIEF OF DESIGN		APPROVED	Bruce	.XX	± 0.50	
DRAWN BY	Arthur	DATE	2019.09.27	.XXX	± 0.30	
SHEET 1 OF 2				ANGULAR	.	SCALE: N/S UNIT: mm