

# MTC-1010W

10.1" Open Frame Multi-Touch Computer with Intel Atom® x7-E3950 Processor, 2 GigE LAN, DC 9V to 36V



## Features

- Open Frame Design
- 10.1" 1280 x 800 (16:10) WSVGA TFT LED LCD
- 10-point Projected Capacitive Multi-touch Screen
- Intel Atom® x7-E3950 Processor
- 2 GigE LAN supporting IEEE 1588 Precision Time Protocol (PTP)
- Supports Landscape and Portrait screen
- DC 9V to 36V Wide range Power Input
- Fanless design supports -20°C to 60°C operating temperature
- 2 Mini PCIe for WiFi/4G/3G/LTE/GPRS/UMTS
- Optional Infineon SLB9665 supports TPM 2.0, LPC Interface
- Optional VESA Kit, Back Cover Kit



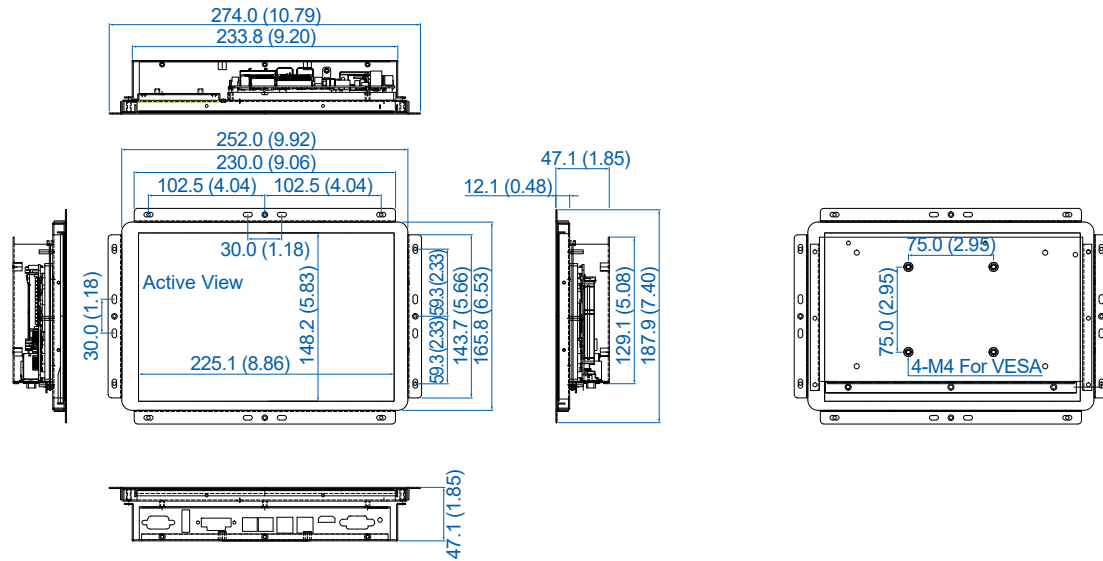
## Specifications

Panel	
Panel Type	WSVGA TFT LED LCD
Size	10.1"
Max. Resolution	1280 x 800
Display Color	16.7M
Brightness (cd/m <sup>2</sup> )	350
View Angle (H/V)	170/170
Contrast Ratio	800 : 1
Touch Screen	
Touch Screen Type	10-point Projected Capacitive
Transparency	≥ 91%
Surface Hardness	7H Surface Hardness
Control Interface	USB Type
System	
Processor	Intel Atom® x7-E3950 Processor (Apollo Lake)
Chipset	Intel® Apollo Lake PCH-LP
Memory	1 DDR3L 1866MHz SO-DIMM, up to 8GB
Graphics Processor	Intel® HD Graphics 505
I/O Interface	
Serial	1 RS-232/422/485 (DB9 Type)
USB	<ul style="list-style-type: none"> <li>▪ 2 USB 3.0, Type A</li> <li>▪ 2 USB 2.0, Type A</li> </ul>
LED	<ul style="list-style-type: none"> <li>▪ VGA : Up to 1920 x 1440 @60Hz</li> <li>▪ Digital Display : Up to 3840 x 2160 @30Hz</li> </ul>
Display	<ul style="list-style-type: none"> <li>▪ VGA : Up to 1920 x 1440 @60Hz</li> <li>▪ Digital Display : Up to 3840 x 2160 @30Hz</li> </ul>
Expansion	
Mini PCIe	2 Mini PCIe Socket : <ul style="list-style-type: none"> <li>▪ 1 Full-size for PCIe/USB/SIM Socket</li> <li>▪ 1 Full-size for PCIe/USB/SATA</li> </ul>
Storage	
SATA	1 SATA III (6Gbps)
mSATA	1 SATA II (Full Size Mini PCIe, 6Gbps)
Storage Device	1 2.5" SDD/HDD Bracket (Internal)

Ethernet	
LAN 1	Intel® I210 GigE LAN supports IEEE 1588, RJ45 Type
LAN 2	Intel® I210 GigE LAN supports IEEE 1588, RJ45 Type
Power	
Power Input	9V to 36V DC-in
Power Interface	3-pin Terminal Block (V+/V-/GND)
Others	
TPM	Optional Infineon SLB9665 supports TPM 2.0, LPC Interface
Watchdog Timer	Reset : 1 to 255 sec./min. per step
Smart Management	Wake on LAN, PXE supported
Software Support	
OS	Windows 10, Linux
Mechanical	
Dimensions (W x H x D)	274.0mm x 187.9mm x 47.1mm (10.79" x 7.40" x 1.85")
Weight	1.5 kg (3.31 lb)
Mounting	<ul style="list-style-type: none"> <li>▪ Panel Mount</li> <li>▪ VESA Mount (75 x 75) by optional accessory kit</li> </ul>
Environment	
Operating Temperature	-20°C to 60°C (-4°F to 140°F)
Storage Temperature	-20°C to 60°C (-4°F to 140°F)
Humidity	5% to 95% Humidity, non-condensing
Relative Humidity	95% @55°C
Shock	IEC 60068-2-27 <ul style="list-style-type: none"> <li>▪ 20G, Half-sine, 11ms</li> </ul>
Vibration	IEC 60068-2-64 <ul style="list-style-type: none"> <li>▪ Non-operation : 10Hz to 200Hz, 1Grms, X, Y, Z, 30 mins each Axis</li> </ul>
EMC	CE, FCC

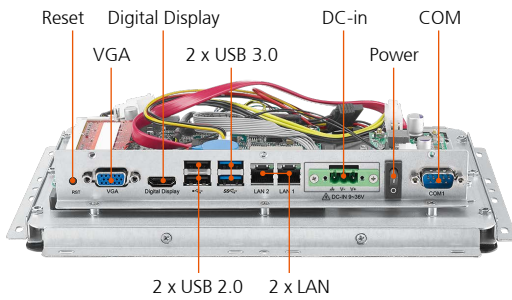
## Dimensions

Unit : mm/ inch

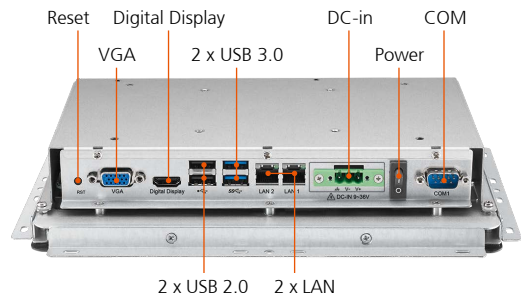


## Bottom I/O

MTC-1010W-3950A



MTC-1010W-3950B



## Order Information

<b>MTC-1010W-3950A</b>	MTC-1010W, Intel Atom® x7-E3950, 2 GigE LAN, DC 9V to 36V
<b>MTC-1010W-3950B</b>	MTC-1010W, Intel Atom® x7-E3950, 2 GigE LAN, DC 9V to 36V, With VESA-Back Cover Kit

### Accessories

<b>DDR3L 8G</b>	Certified DDR3L 8GB 1866MHz RAM
<b>DDR3L 4G</b>	Certified DDR3L 4GB 1866MHz RAM
<b>PWA-120W</b>	120W, 24V, 90V AC to 264V AC Power Adapter with 3-pin Terminal Block
<b>4G Module</b>	Mini PCIe 4G/GPS Module with Antenna
<b>WiFi &amp; Bluetooth</b>	WiFi & Bluetooth Module with Antenna
<b>74-6101001-006</b>	MTC-1010W VESA-Back Cover Kit