

MTC-8010W

10.1" Fanless Multi-Touch Computer with Intel Atom® x7-E3950 Processor, 2 GigE LAN, 4 USB, 2 COM, DC 12V



Features

- 10.1" 1280 x 800 (16:10) WSVGA TFT LED LCD
- 10-point Projected Capacitive Multi-touch Screen
- Intel Atom® x7-E3950 Processor
- Fanless design supports -10°C to 60°C operating temperature
- Easy-access external SSD/HDD Kit
- Supports Panel Mount and VESA Mount (75 x 75)
- IP65 Front Panel Protection
- 2 Mini PCIe for WiFi/4G/3G/LTE/GPRS/UMTS



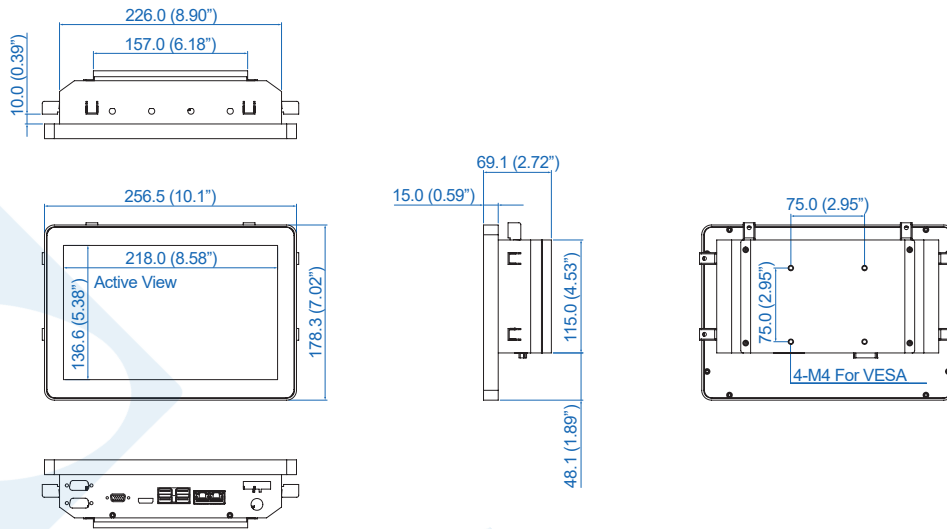
Specifications

| Panel | |
|---------------------------------|---|
| Panel Type | WSVGA TFT LED LCD |
| Size | 10.1" |
| Max. Resolution | 1280 x 800 |
| Display Color | 262k |
| Brightness (cd/m ²) | 300 |
| View Angle (H/V) | 170/170 |
| Contrast Ratio | 1300 : 1 |
| Touch Screen | |
| Touch Screen Type | 10-point Projected Capacitive |
| Transparency | ≥ 91% |
| Surface Hardness | 7H Surface Hardness |
| Control Interface | USB Type |
| System | |
| Processor | Intel Atom® x7-E3950 Processor |
| Chipset | Intel® SoC (Apollo Lake) |
| Memory | 1 DDR3L 1866MHz SO-DIMM, up to 8GB |
| Graphics Processor | Intel® HD Graphics 505 |
| I/O Interface | |
| Serial | 2 RS-232/422/485 (DB9 Type) |
| USB | <ul style="list-style-type: none"> ▪ 2 USB 3.0 Type A ▪ 2 USB 2.0 Type A |
| LED | Power |
| Display | <ul style="list-style-type: none"> ▪ VGA : Up to 1920 x 1440 @60Hz ▪ Digital Display : Up to 3840 x 2160 @30Hz |
| Expansion | |
| Mini PCIe | 2 Mini PCIe Socket : <ul style="list-style-type: none"> ▪ 1 Full-size for PCIe/USB/SIM Socket ▪ 1 Full-size for PCIe/USB/SATA |
| Storage | |
| SATA | 1 SATA III (6Gbps) |
| mSATA | 1 SATA III (Full Size Mini PCIe, 6Gbps) |
| Storage Device | 1 2.5" SSD/HDD Kit |

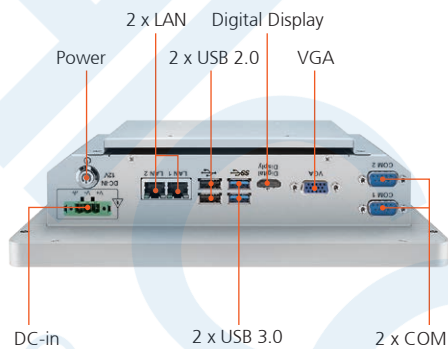
| Ethernet | |
|------------------------|---|
| LAN 1 | Intel® I210 GigE LAN, RJ45 Type |
| LAN 2 | Intel® I210 GigE LAN, RJ45 Type |
| Power | |
| Power Input | 12V DC-in |
| Power Interface | 3-pin Terminal Block (V+/V-/GND) |
| Others | |
| TPM | Optional Infineon SLB9665 supports TPM 2.0, LPC Interface |
| Watchdog Timer | Reset : 1 to 255 sec./min. per step |
| Smart Management | Wake on LAN, PXE supported |
| Software Support | |
| OS | Windows 10, Linux |
| Mechanical | |
| Dimensions (W x H x D) | 256.5mm x 178.3mm x 69.1mm (10.10" x 7.02" x 2.72") |
| Weight | 1.85 kg (4.08 lb) |
| Mounting | <ul style="list-style-type: none"> ▪ Panel Mount ▪ VESA Mount (75 x 75) |
| Environment | |
| Operating Temperature | -10°C to 60°C (14°F to 140°F) |
| Storage Temperature | -20°C to 60°C (-4°F to 140°F) |
| Humidity | 5% to 95% Humidity, non-condensing |
| Relative Humidity | 95% @55°C |
| Shock | IEC 60068-2-27 <ul style="list-style-type: none"> ▪ 20G, Half-sine, 11ms |
| Vibration | IEC 60068-2-64 <ul style="list-style-type: none"> ▪ Non-operation : 10Hz to 200Hz, 1Grms, X, Y, Z, 30 mins each Axis |
| EMC | CE, FCC |

Dimensions

Unit : mm/ inch



Bottom I/O



Order Information

| | |
|-----------------------|--|
| MTC-8010W-3950 | MTC-8010W, Intel Atom® x7-E3950, 2 GigE LAN, 2 COM, DC 12V |
|-----------------------|--|

Accessories

| | |
|-----------------------------|--|
| DDR3L 8G | Certified DDR3L 8GB 1866MHz RAM |
| DDR3L 4G | Certified DDR3L 4GB 1866MHz RAM |
| PWA-120W | 120W, 24V, 90V AC to 264V AC Power Adapter with 3-pin Terminal Block |
| 4G Module | Mini PCIe 4G/GPS Module with Antenna |
| WiFi & Bluetooth | WiFi & Bluetooth Module with Antenna |