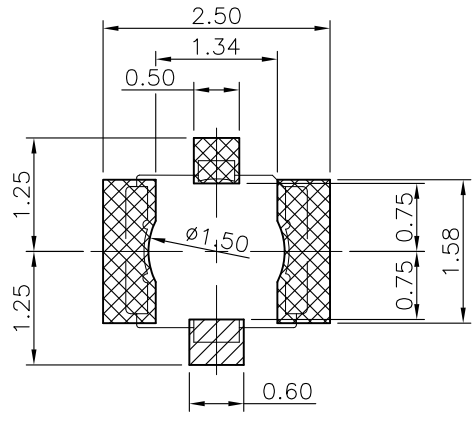
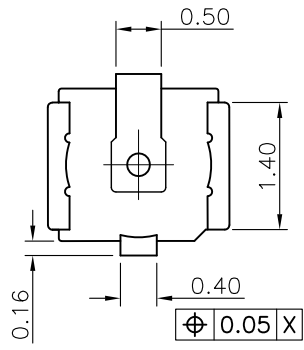
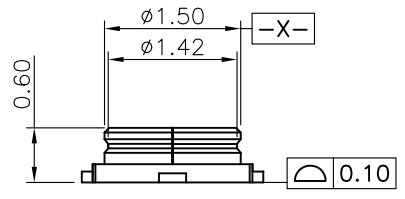
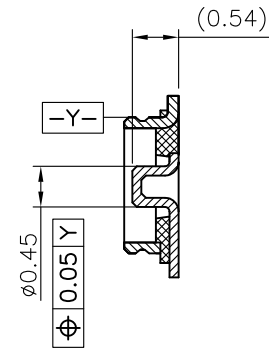
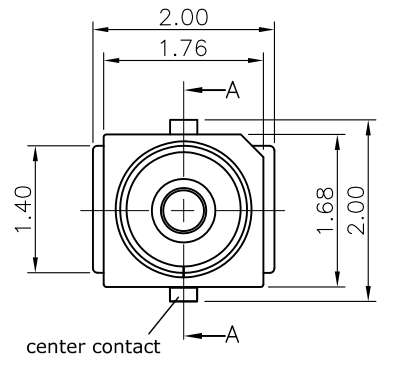


REV.	DESCRIPTION	DRAWN	DATE
1	INITIAL RELEASE	FROS	2020/05/22



RECOMMENDED PCB LAYOUT  
(TOLERANCE: ±0.05)

- CENTER CONTACT
- GROUND CONTACT

**SPECIFICATION:**

1. ELECTRICAL
  - 1.1 Current Rating: 1A
  - 1.2 Voltage Rating: 60VAC
  - 1.3 Contact Resistance:
    - Inner Contact | Initially: 20mΩ
    - Ground Contact | Initially: 20mΩ
  - 1.4 Insulation Resistance: 500MΩ
  - 1.5 Dielectric Withstanding Voltage: 200VAC for 1 minute
  - 1.6 VSWR: 100MHz to 3GHz | 1.3Max
    - 3GHz to 6GHz | 1.45Max
    - 6GHz to 12GHz | 2.0Max
  - 1.7 Nominal Characteristic Impedance : 50Ω
  - 1.8 Applicable Frequency : 100MHz to 12GHz
2. MECHANICAL
  - 2.1 Durability: 30 Cycle
3. ENVIRONMENTAL
  - 3.1 Operating temperature range: -40°C to +85°C
  - 3.2 Storage temperature range: -40°C to +85°C
4. SOLDER ABILITY
  - 4.1 Recommended IR Reflow Temperature: 260°C

3	GROUND	Phosphor Bronze, Gold Flash over Nickel
2	Center contact	Brass , Gold Flash over Nickel
1	HOUSING	LCP, UL94V-0, Black
NO.	PART NAME	DESCRIPTION

UNLESS OTHERWISE SPECIFIED TOLERANCE

UNIT:	DECIMAL	LINEAR	ANGLES
mm	X.	±0.50	±5°
	X.X	±0.25	±3°
	X.XX	±0.12	±1°



www.attend.com.tw

DRAWN	Fros	2020/05/22	DRAWN NAME:	
CHECKED	Angel	2020/05/22	Micro Coaxial RF Connector	
APPROVED	Ken	2020/05/22	PRODUCT NO.	321C-220601
SCALE	12/1	SHEET	1/1	SIZE
			A4	FILE NAME
				321C-220601_B_1