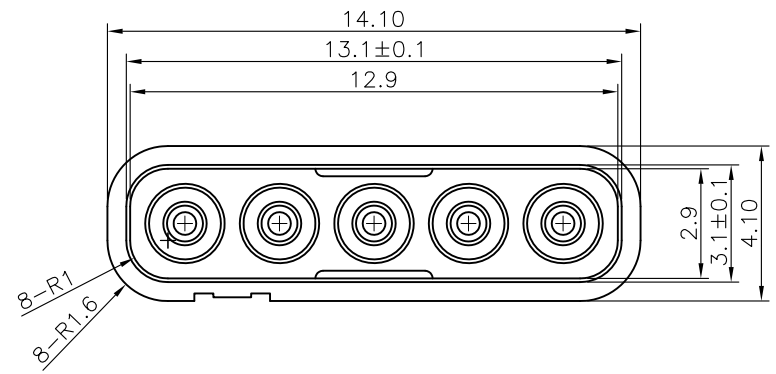
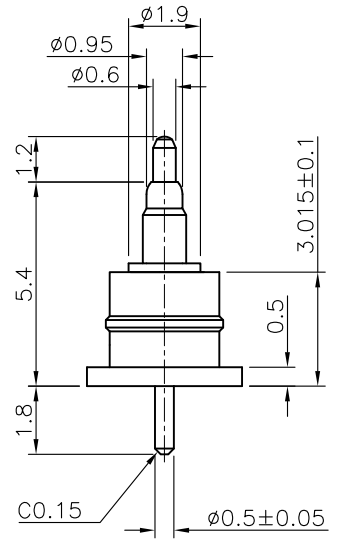
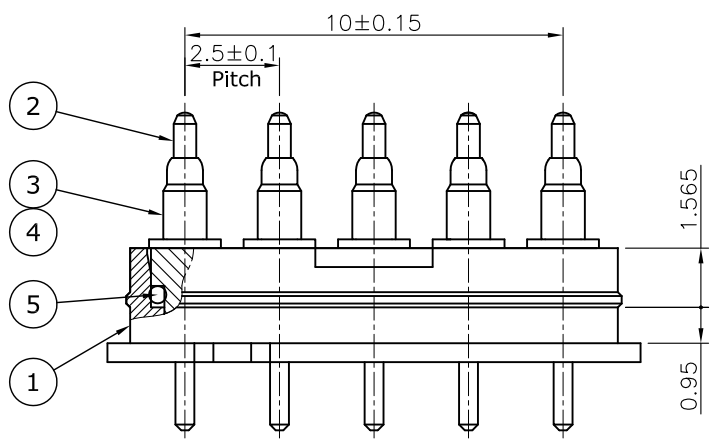


REV.	DESCRIPTION	DRAWN	DATE
1	INITIAL RELEASE	FROS	2016/03/30
2	Add section view	FROS	2019/05/20

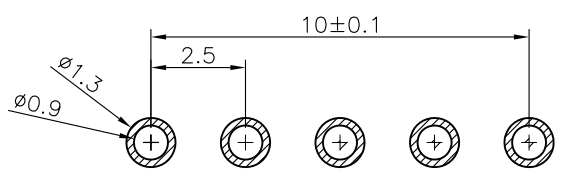
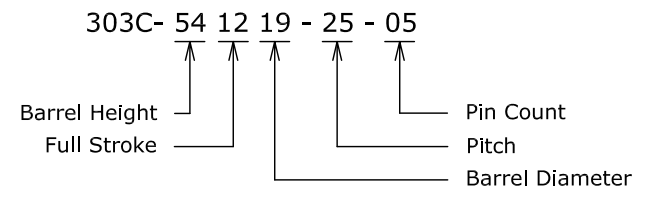


SPECIFICATION:

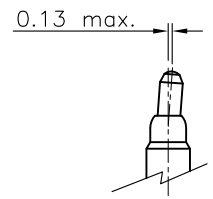
1. ELECTRICAL
 - 1.1 Current Rating: 2A per pin
 - 1.2 Voltage Rating: 12V AC/DC
 - 1.3 Contact Resistance: 50mΩ
 - 1.4 Insulation Resistance: 100MΩ
 - 1.5 Dielectric Withstanding Voltage: 500VAC
2. MECHANICAL
 - 2.1 Pin Force: 1.0N±0.25N at 0.9mm Stroke
 - 2.2 Durability: 20,000 Cycles
3. ENVIRONMENTAL
 - 3.1 Operating temperature range: -40°C~+85°C
 - 3.2 Storage temperature range: -40°C~+85°C
 - 3.3 Waterproof Level: IPX7
4. SOLDER ABILITY
 - 4.1 Peak Temperature: 250°C, 10 sec



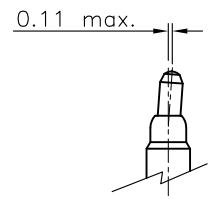
How to Order



Recommended Layout
General Tolerance: ±0.05mm



Fluttering of Pin Axis



Contact Point

5	O-Rign	Silicone Rubber
4	Spring	Stainless Steel
3	Barrel	Brass, 2u" Gold/ 80u" Nickel Plating
2	Pin	Brass, 40u" Gold/ 120u" Nickel Plating
1	Housing	PPA 30%GF, UL94HB, Black

NO.		PART NAME	DESCRIPTION
UNLESS OTHERWISE SPECIFIED TOLERANCE			
UNIT:	DECIMAL	LINEAR	ANGLES
	mm	X, X.X	±0.50 ±0.25 ±3°
		X, XX	±0.12 ±1°
DRAWN		Fros	2016/03/30
CHECKED		Amy	2016/03/30
APPROVED		Ken	2016/03/30
SCALE		SHEET	SIZE
5/1	1/1		A4
DRAWN NAME:		Pogo Pin Water Proof Type, 5 Pin H6.6 Stroke-1.2 Pitch 2.5 Barrel 1.9, DIP w/o Cap, 40u"	
PRODUCT NO.		303C-541219-25-05	
FILE NAME		303C-541219-25-05_B_2	



WWW.ATTEND.COM.TW