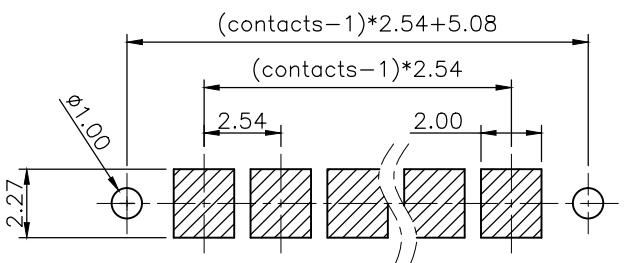
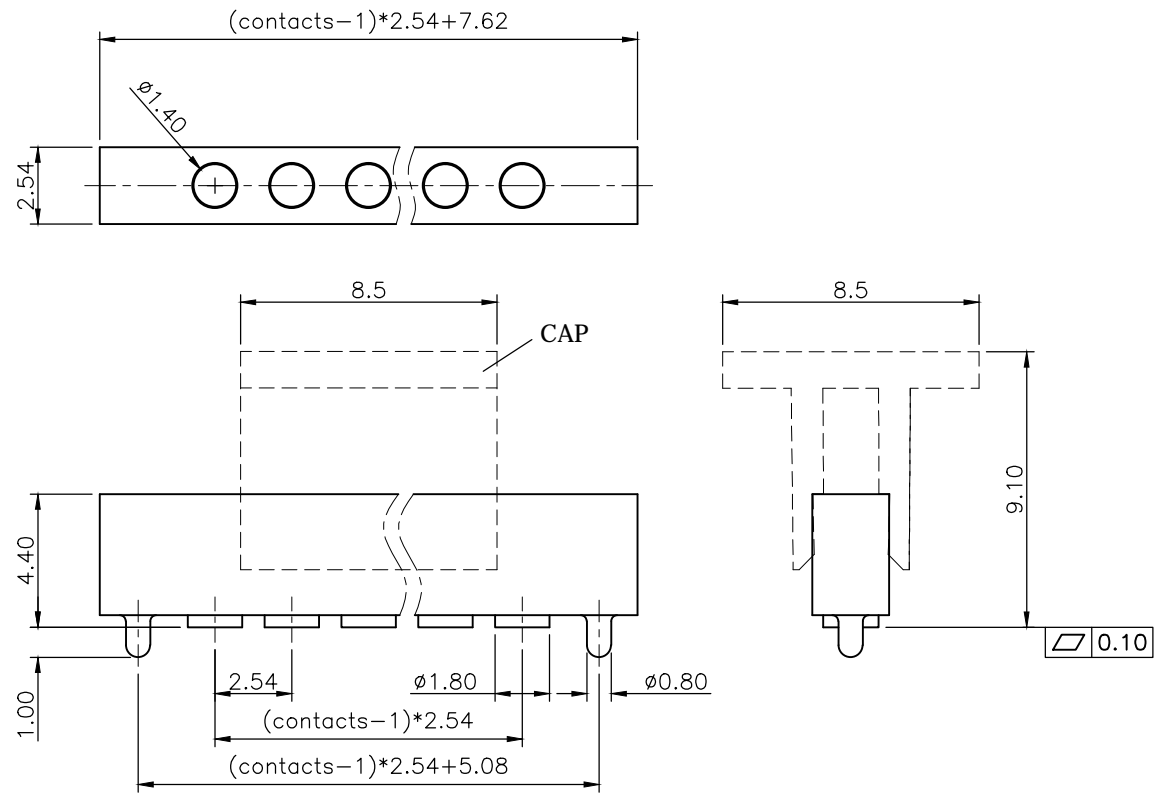


REV.	DESCRIPTION	DRAWN	DATE
1	INITIAL RELEASE	TIM	2020/05/05



Recommended Layout
General Tolerance: $\pm 0.05\text{mm}$

How to order:

303B-C4418-254-XX
1

1 pin count: xx= 02~16
 (Please contact with sales for the pins count available)

3	CAP	Thermoplastic, Black	
2	CONTACT	Copper alloy, 10u" gold plating on contact area, gold plating under nickel over all	
1	HOUSING	Thermoplastic, UL94V-0, Black	
NO.	PART NAME	DESCRIPTION	
UNLESS OTHERWISE SPECIFIED TOLERANCE			
UNIT:	DECIMAL	LINEAR	ANGLES
	X.	± 0.50	$\pm 5^\circ$
	X.X	± 0.25	$\pm 3^\circ$
	X.XX	± 0.12	$\pm 1^\circ$
		www.attend.com.tw	
DRAWN	Tim	2020/05/05	
CHECKED	Fros	2020/05/05	
APPROVED	Ken	2020/05/05	
SCALE		SHEET	SIZE
4/1		1/1	A4
DRAWN NAME:		Machine Pin, XX pin, 2.54P, 10u" H4.4x1.8dia. , Cap, SMT	
PRODUCT NO.		303B-C4418-254-XX	
FILE NAME		303B-C4418-254-XX_B_1	

