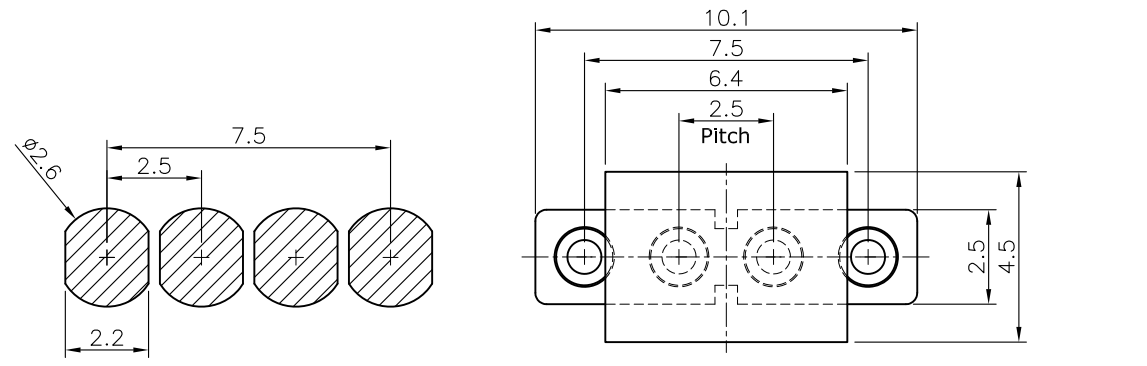
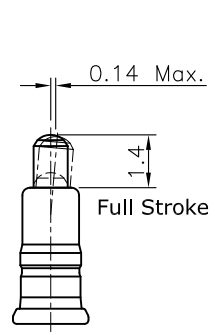
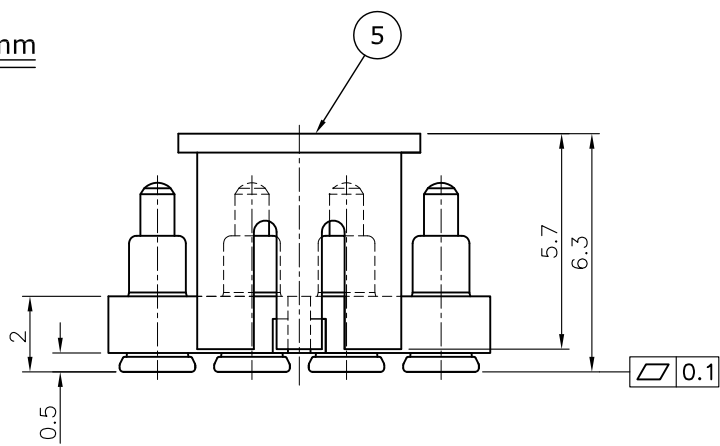
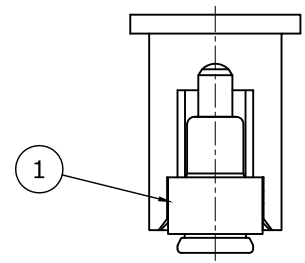


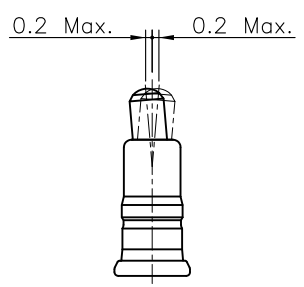
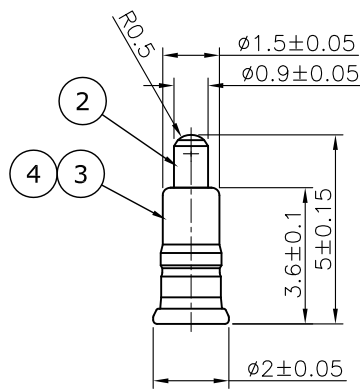
REV.	DESCRIPTION	DRAWN	DATE
1	INITIAL RELEASE	FROS	2016/03/30



**Recommended Layout**  
General Tolerance: ±0.05mm



Contact Point

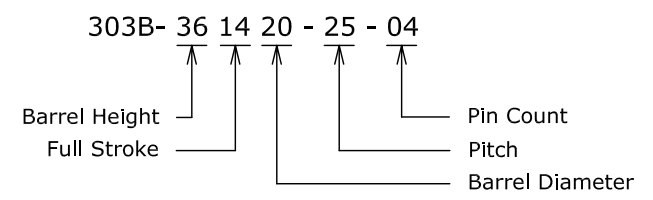


Fluttering of Pin Axis

**SPECIFICATION:**

1. ELECTRICAL
  - 1.1 Current Rating: 2A per pin
  - 1.2 Voltage Rating: 12V AC/DC
  - 1.3 Contact Resistance: 50mΩ
  - 1.4 Insulation Resistance: 100MΩ
  - 1.5 Dielectric Withstanding Voltage: 500VAC
2. MECHANICAL
  - 2.1 Pin Force: 1.08N±0.25N at Stroke 1.0mm
  - 2.2 Durability: 20,000 Cycles
3. ENVIRONMENTAL
  - 3.1 Operating temperature range: -40°C~+85°C
  - 3.2 Storage temperature range: -40°C~+85°C
4. SOLDER ABILITY
  - 4.1 Recommended IR Reflow Temperature: 250°C, 10Sec

**How to Order**



5	Cap	Nylon 46, UL94V-0, Black
4	Spring	SWP, 2u" Gold\ 2u" Nickel Plating
3	Barrel	C2700, 2u" Gold\ 80u" Nickel Plating
2	Pin	C2700, 40u" Gold\ 120u" Nickel Plating
1	Housing	PA6T 30%GF, UL94V-0, Black

NO.		PART NAME	DESCRIPTION
UNLESS OTHERWISE SPECIFIED TOLERANCE			
UNIT:	DECIMAL	LINEAR	ANGLES
	mm	X, X.X	±0.50 ±0.25 ±0.12
			±5° ±3° ±1°
WWW.ATTEND.COM.TW			
DRAWN	Fros	2016/03/30	DRAWN NAME:
CHECKED	Amy	2016/03/30	Pogo Pin 4 Pin Type, H5.0 Stroke 1.4 Barrel 2.0 Pitch 2.5, w/Cap, 40u"
APPROVED	Ken	2016/03/30	PRODUCT NO. 303B-361420-25-04
SCALE	SHEET	SIZE	FILE NAME
5/1	1/1	A4	303B-361420-25-04_B_1

